

**American
Commercial
Body Parts
Quick
Reference
Guide**

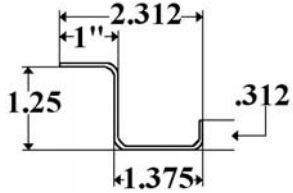
Notes:

America's Body Company

DISCLAIMER

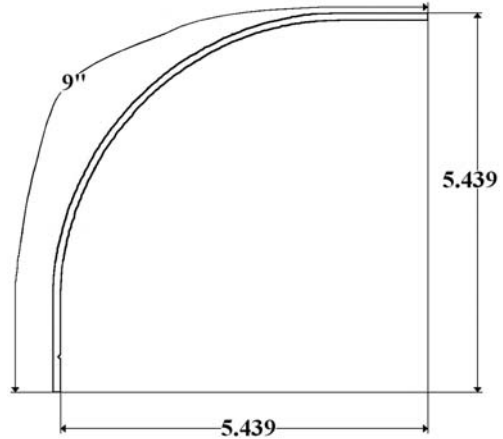
USE OF OEM OR MANUFACTURERS' NAME AND/OR PART NUMBERS IS FOR IDENTIFICATION PURPOSES AND SIMPLIFICATION ONLY AND IN NO WAY IS MEANT TO IMPLY THAT FLEET PARTS' ITEMS ARE AUTHORIZED OR IN ANY WAY AFFILIATED WITH THOSE MANUFACTURERS.

**Part 232-2D (96"), 2E (108"), &
232-NH (108") No Holes for FRP Body-
AC Steel Z Post**

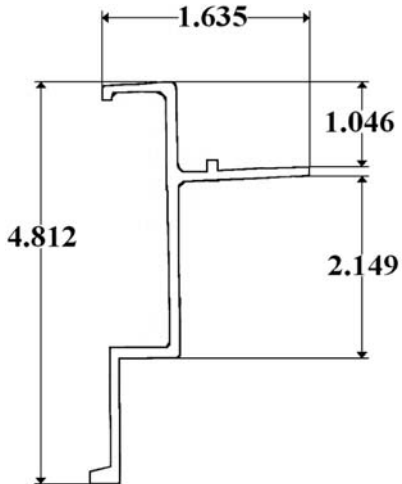


Punched on 3" Centers

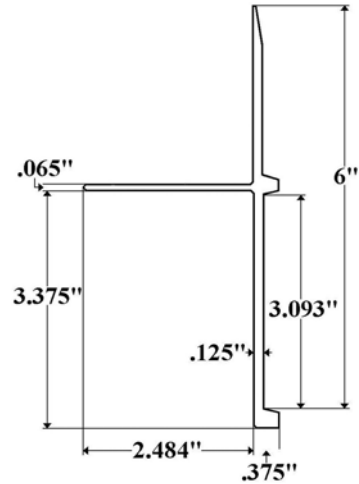
Part 334-2- A/C Replacement Corner Post



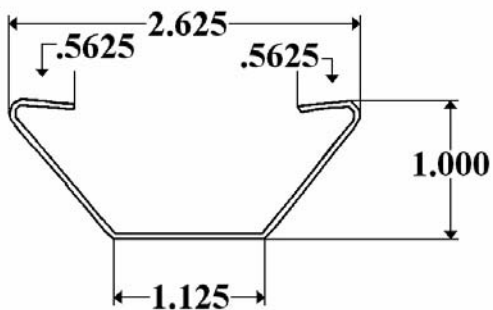
Part 8002- Top Rail A/C



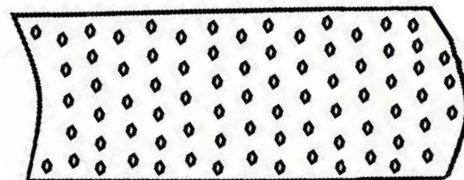
Part 8003- Bottom Rail A/C



**Part 820-1D (93-1/2") & 1E (99-1/2")-
Roof Bow**



**Part DPRR2496- A/C Aluminum
Diamond Plate Roof Radius**



.080 X 24" X 96"

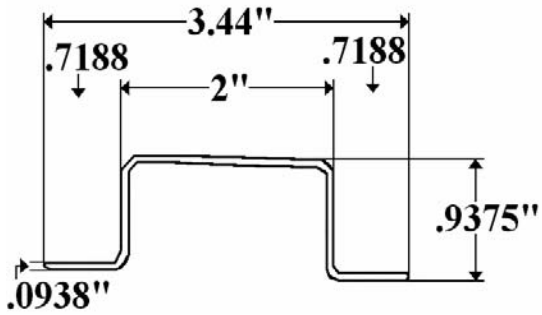
Part FP8000L- A/C Left/Front Cap



Part FP8000R- A/C Right/Front Cap



Part S3022- Steel Hat Starter Bow



T-Nut Bolt



5/16-18 X 3/4 WITH SEAL & PATCH

Round Base T Nut



5/16-18 X 3/8