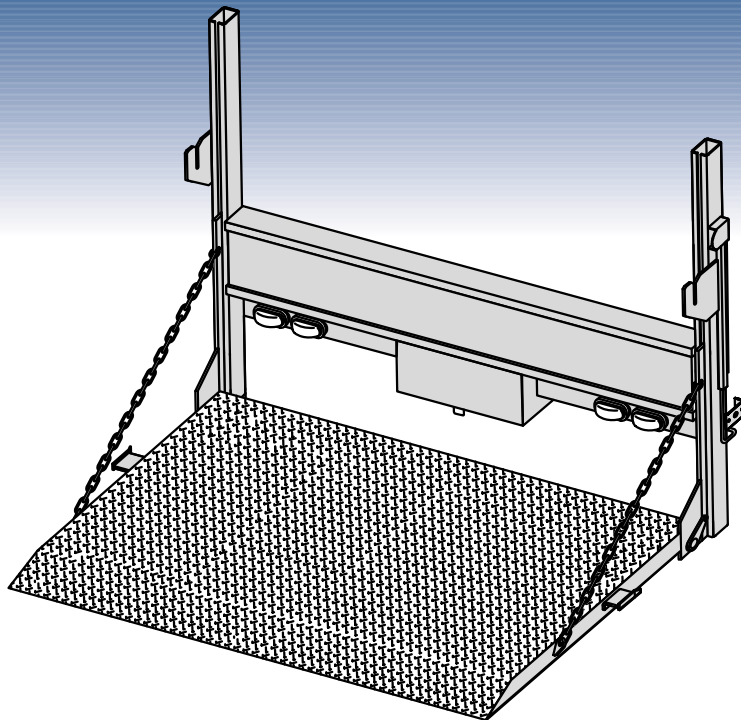


ANTHONY LIFTGATES, INC.

INSTALLATION AND OPERATION MAINTENANCE & TROUBLESHOOTING

For Medium RailTrac™ Hydraulic Liftgates



MODELS

AR-1200
AR-1200-AB
AR-1200-AB-DT
AR-1200-DT
AR-1800
AR-1800-AB
AR-1800-AB-DT
AR-1800-DT
AR-1800-RT
AR-1800-RT-AB
AR-2500
AR-2500-AB
AR-2500-GB*
AR-2500-GB-AB*
AR-2500-RT
AR-2500-RT-AB
HCR-3000
HCR-3000-AB

* See page 1 for details.

ANTHONY
LIFTGATES, INC.®

Anthony Liftgates, Inc.
1037 W. Howard Street • P.O. Box 615 • Pontiac, IL 61764-0615
Ph: 815.842.3383 • Fax: 815.844.3612 • Toll Free: 800.482.0003
www.anthonyliftgates.com

Contents

General Information Section

Introduction	2
Nomenclature	4
General Information	5

Installation Section

General Installation Information	7
Installation Procedure	12
Final Inspection Checklist	24
Decals	25

Operation Section

General Safety Operating Instructions	30
Operating Instructions	32

Maintenance Section

Quick Check Maintenance Guide	33
Maintenance and Troubleshooting Procedures	35

Safety Section

Safety	49
------------------	----

Troubleshooting Section

Troubleshooting Guide	53
---------------------------------	----

General Information Section

Introduction

Congratulations on selecting an Anthony Medium RailTrac Liftgate. Anthony liftgates are among the finest liftgates available on the market today. To ensure your liftgate will perform to your expectations, we have designed this manual to furnish you with the necessary instructions and safety precautions to properly install and operate your Anthony Medium RailTrac Liftgate. A Parts Manual is provided separately.



Typical Anthony Liftgates Medium RailTrac Liftgate.

The Medium RailTrac Liftgate provides up to 56 inches of total lift height. On trucks with bed heights that are below typical dock heights, the above bed liftgate allows the cargo to be loaded from the bed of the truck and then raised to a higher dock height. Above bed models of this liftgate, in some cases, can raise a load 18 inches above the truck bed height.

The lifting capacity of the Medium RailTrac Liftgates ranges from 1200 to 3000 pounds, depending on the model.

The Medium RailTrac Liftgates work best on truck bodies with “roll-up” style doors. The liftgate can be installed on “swing-type” doors, but may require modification to the truck body due to interference between the liftgate rails and the location of door latches and hinges. The Medium RailTrac Liftgate can also be installed on flat bed trucks.

With the proper tools and two installers, the Medium RailTrac Liftgate can be installed in one to two hours.

This Installation, Operation, and Maintenance manual will provide you with easy to follow instructions, along with photos and illustrations. We have included a series of Tips, which will facilitate the installation process. All Safety precautions have been clearly identified and detailed throughout each section.

In addition to the installation instructions, a complete explanation of the safety words and rules are included in the Safety section of this manual. Please turn to the safety section and read it thoroughly before proceeding to the next page.

At the bottom of each page is the Anthony Liftgates Inc. Product Support phone number. If you are unclear about any of the instructions, please phone Anthony Liftgates' Product Support.

All Anthony Medium RailTrac model liftgates are factory assembled, tested, and energized to ensure the highest quality performance standards. The AR and HCR model liftgates ship completely assembled for fast, clean, and easy installation.

Even though the following goes without saying, we feel compelled to state:

Anthony Liftgates should only be installed by those with sufficient skills to understand the installation and operation of the liftgate, along with the equipment required to install the liftgate. The installation instructions in this manual are intended to give typical installation instructions to the installer for both the operation and what we believe to be the most desirable sequence of installation. These instructions cannot replace a qualified person, or clear thinking and the basic knowledge that must be possessed by the installer.

We urge the installer (or anyone else) to call us if they have any questions. We have qualified personnel at our Pontiac, Illinois, plant to answer any questions that you may have. Sometimes, a detailed discussion on the phone can be far more satisfactory than a detailed written explanation.


It has been our experience that a knowledgeable journeyman following these installation instructions and observing the operation of the liftgate will have sufficient comprehension of the liftgate to enable this person to troubleshoot and correct all normal problems that may be encountered.

However, again we urge you to call us at our Pontiac, Illinois, plant if you find the liftgate is not operating properly or if you do not know how to make the necessary repair.

If you have any doubts or questions, call us at:

Anthony Liftgates, Inc.
1037 West Howard Street
Pontiac, Illinois 61764
(815) 842-3383
Web: www.anthonyliftgates.com
Email: Sales@anthonyliftgates.com

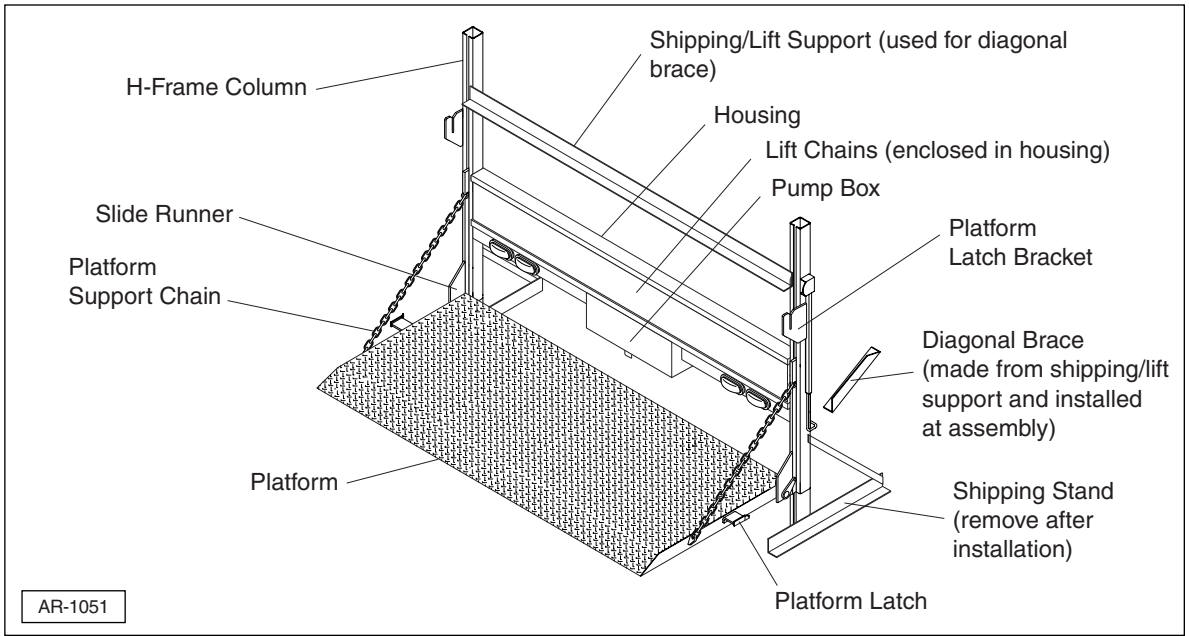
⚠ DANGER



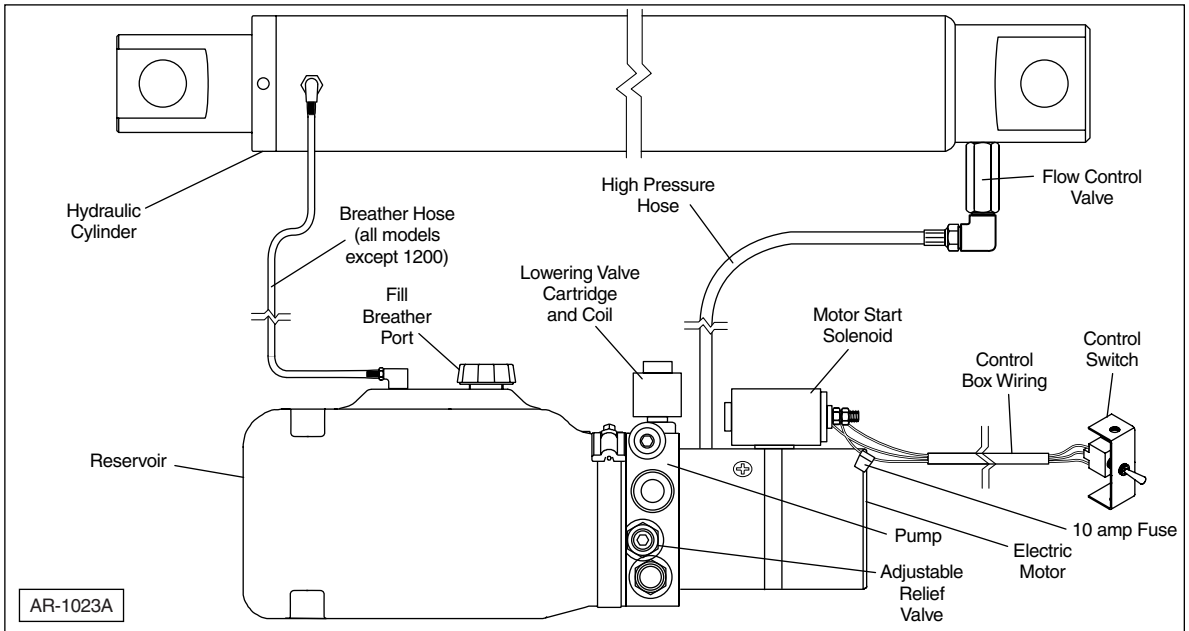
The success or failure of this liftgate to properly and efficiently operate will depend on a thorough and proper installation. Failure to read, understand, and follow the installation instructions and safety recommendations in this manual before installing the liftgate can result in serious injury or death. Also read and understand the operating instructions in the Operation section.

When installed, this liftgate must not alter nor prevent vehicle compliance to any existing state or federal standards, and especially FMVSS 105. Each chassis manufacturer's recommendations should be consulted for compliance. Also, make sure the weight of the liftgate and its load will not overbalance the truck, possibly raising the front wheels off the ground.

Nomenclature



Liftgate nomenclature.



Power unit nomenclature.

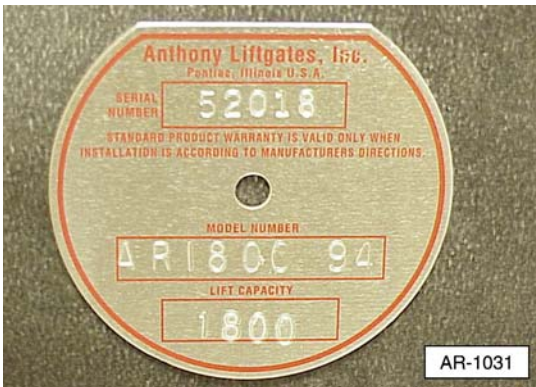
General Information

Warranty

IMPORTANT NOTICE

The liftgate must be installed according to the installation instructions or the warranty will be void. Unauthorized modifications of the liftgate may cause it to improperly operate or cause other unforeseen problems or dangers. If any deviation is deemed necessary, written permission must first be obtained from Anthony Liftgates.

Before calling for warranty or other product information, have the serial number, model number, and lift capacity of your liftgate, which is stamped into the identification plate on the streetside of the liftgate near the tail light cutouts.



Identification plate.

Decals



Safety decals provide a vital role in helping to reduce injuries and/or possibly even death. To ensure the greatest level of safety, all decals must be in place and legible at all times. Remember, it is the users responsibility to maintain these decals. For a complete part number list and illustration of the decals used on the Medium RailTrac Liftgate, refer to the Decals section in the Parts manual.

For decal placement, refer to the Decals section in this manual.

For replacement decals contact:

Anthony Liftgates, Inc.

1037 West Howard Street

Pontiac, Illinois 61764

(815) 842-3383

Web: www.anthonyliftgates.com

Email: Sales@anthonyliftgates.com

Ordering Parts

We manufacture a quality liftgate that requires very little maintenance or repair. However, should a part break, become damaged, or worn, our knowledgeable staff can make sure you receive the part(s) to put your liftgate back into operation.

For questions or to order parts, contact:

Anthony Liftgates, Inc.

1037 West Howard Street

Pontiac, Illinois 61764

(815) 842-3383

Web: www.anthonyliftgates.com

Email: Sales@anthonyliftgates.com

Tooling Required

The following is a list of suggested tools that should be used to install the Medium RailTrac liftgate.

- Overhead Crane or Forklift
- Mig or Stick Welder
- Heavy-Duty C-Clamps
- Tape Measure
- Level (small, magnetic)
- Cutting Torch
- Chain Link-Pin Removal Tool
(above bed height models only)
- Two pieces of 12" angle iron or channel