

**Babb  
Body Parts  
Quick  
Reference  
Guide**

# Notes:

*Old Style* **BABB WITH BEVELED  
FRONT CORNER POST**

*New Style* **BABB WITH ROUND  
FRONT CORNER POST  
MODEL C**

**BRFV- *OLD STYLE* FRP**

**BRAV- *OLD STYLE* ALUMINUM**

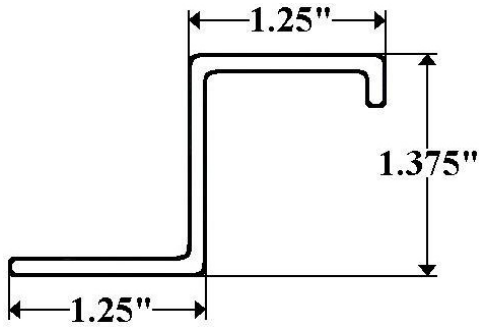
**OSDA- *NEW STYLE* ALUMINUM**

**OSDF- *NEW STYLE* FRP**

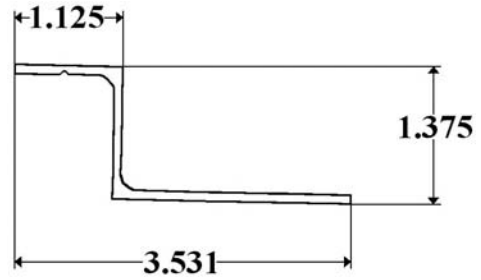
## DISCLAIMER

USE OF OEM OR MANUFACTURERS' NAME AND/OR PART NUMBERS IS FOR IDENTIFICATION PURPOSES AND SIMPLIFICATION ONLY AND IN NO WAY IS MEANT TO IMPLY THAT FLEET PARTS' ITEMS ARE AUTHORIZED OR IN ANY WAY AFFILIATED WITH THOSE MANUFACTUR-

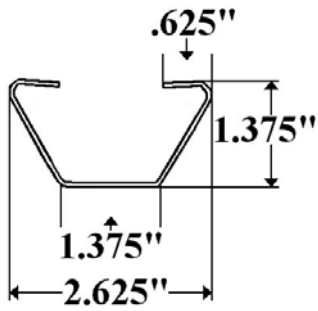
**Part 332-2D (97''), 2E (108'') & 2F (112'')-  
Aluminum Z-Post Babb *Old Style***



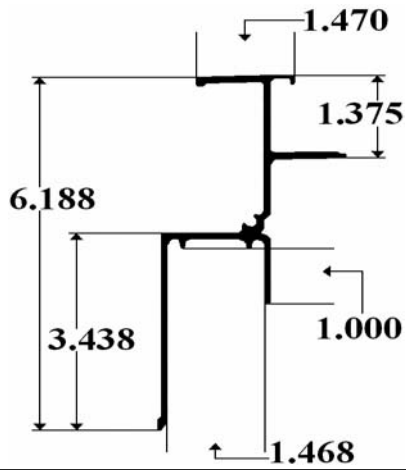
**Part 333-2- Starter Roof Bow  
Babb 108''**



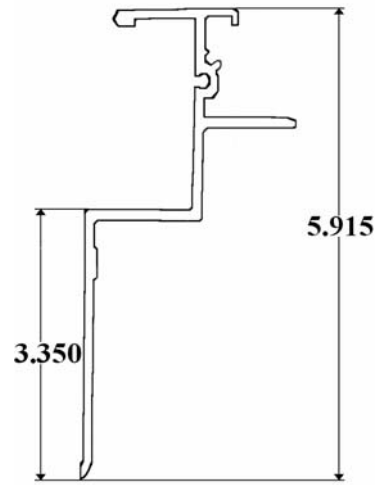
**Part 421-1D (92'') & 1E (98'')-  
Roof Bow Babb**



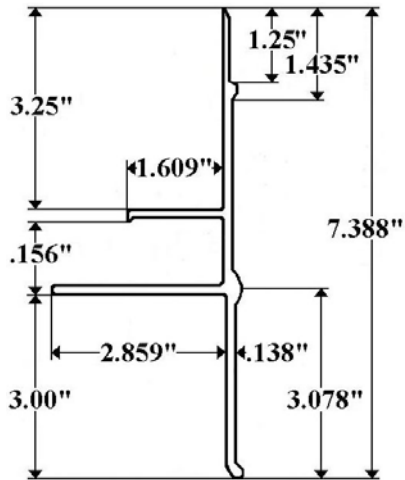
**Part 9001- Top Rail Babb Old Style**



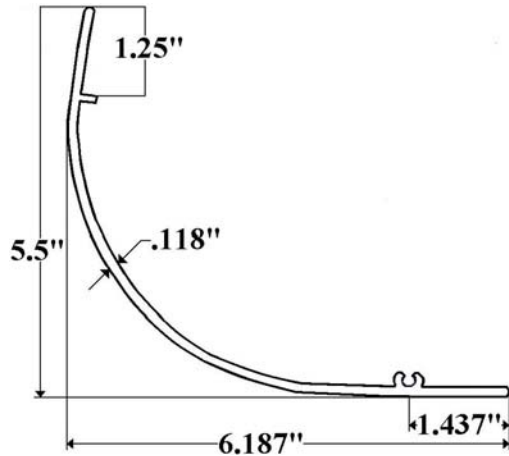
**Part 9002- Top Rail Babb New Style**



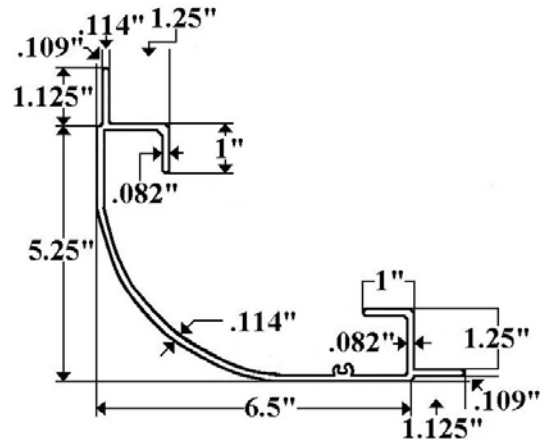
**Part 9003- Babb Bottom Rail New Style**



**Part 9010/FRP- Babb Corner Post-  
FRP Body**



**Part 9010E- Babb Corner Post  
Aluminum Body**



**Part FC102- Babb *Old Style*  
Front Bottom Cap**



**Part FP9000L- Babb *Old Style*  
Left/Front Cap**



**Part FP9000R- Babb *Old Style*  
Right/Front Cap**



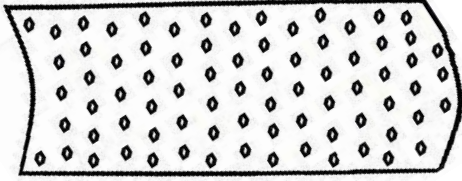
**Part FP9500L- Babb *New Style*  
Left/Front Corner Cap**



**Part FP9500R- Babb *New Style*  
Right/Front Corner Cap**

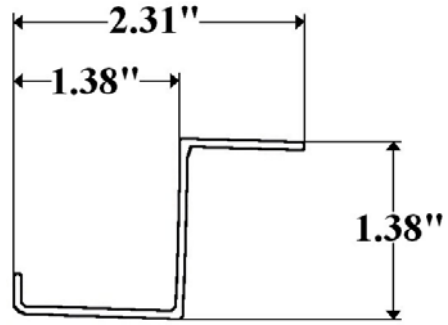


**Part DPRR2496- Babb Aluminum  
Diamond Plate Roof Radius**



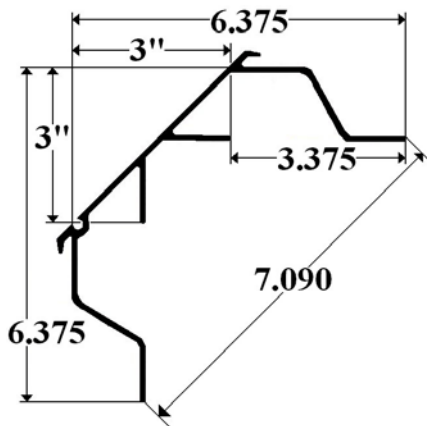
**.080 X 24" X 96"**

**Part S332-2D (97") & 2E (108") –  
Steel Z Post *New Style***



***Punched***

**Part TRV1- Corner Post Babb *Old Style***



**Part TRVBOT- Bottom Rail  
Babb *Old Style***

