

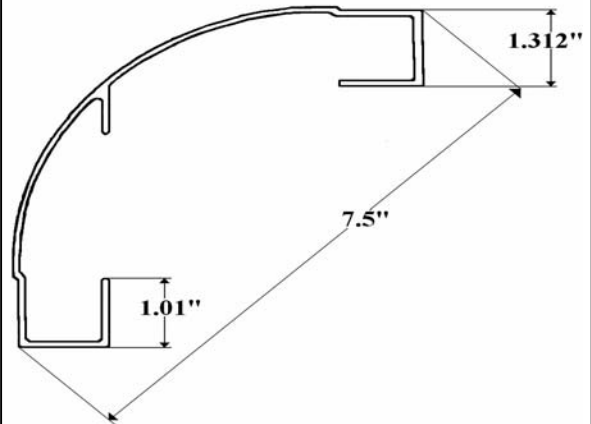
Duralite Body Parts Quick Reference Guide

Notes:

DISCLAIMER

USE OF OEM OR MANUFACTURERS' NAME AND/OR PART NUMBERS IS FOR IDENTIFICATION PURPOSES AND SIMPLIFICATION ONLY AND IN NO WAY IS MEANT TO IMPLY THAT FLEET PARTS' ITEMS ARE AUTHORIZED OR IN ANY WAY AFFILIATED WITH THOSE MANUFACTURERS.

**Part 00054- Duralite Corner Post-
Aluminum Body**



Part 00078- Roof Radius Duralite

M-Mill

W-White

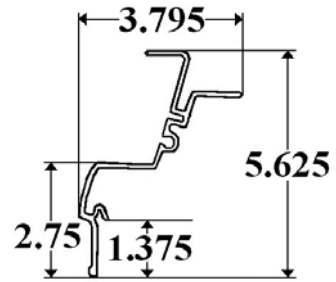


00078M 24" X 96"

00078W 24" X 96"

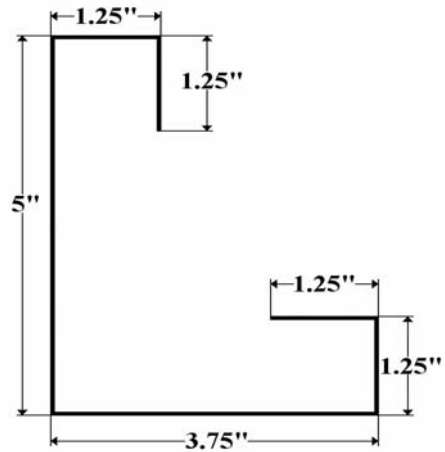
Used with 1211&1212 Corner Caps

Part 00117- Duralite Top Rail

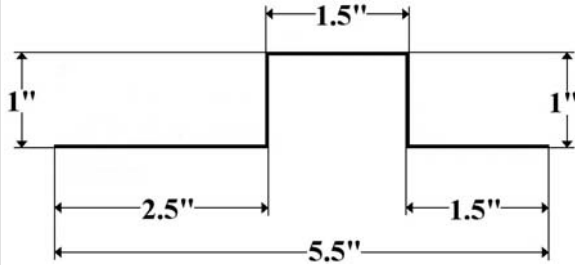


Part 10005- Duralite Rear Rain Gutter

Part 10126- Duralite Rear Corner Post



Part 10250 (96'')- Starter Bow Duralite



Part 1201- Duralite Left/Front Cap
16'' Radius



Used with 3912W Roof Radius

Part 1202- Duralite Right/Front Cap
16'' Radius



Used with 3912W Roof Radius

Part 1211- Duralite Left/Front Cap
10'' Radius



Used with 00078M or W Roof Radius

Part 1212- Duralite Right/Front Cap
10'' Radius



Used with 00078M or W Roof Radius

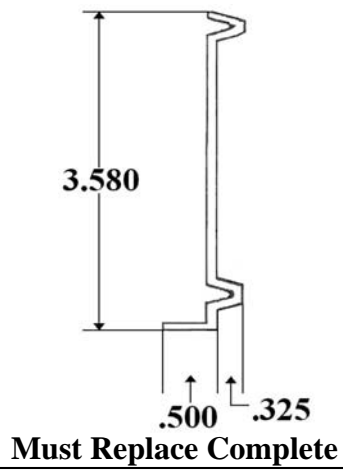
Part 1401- Duralite Right/Rear Cap



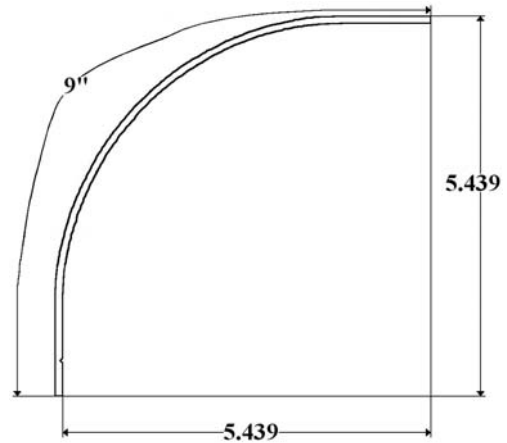
Part 1402- Duralite Left/Rear Cap



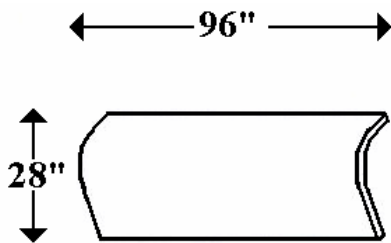
Part 2003F- Duralite Replacement Bottom Rail



Part 334-2- Duralite FRP Front Corner Post



Part 3912W (White)- Duralite Roof Radius

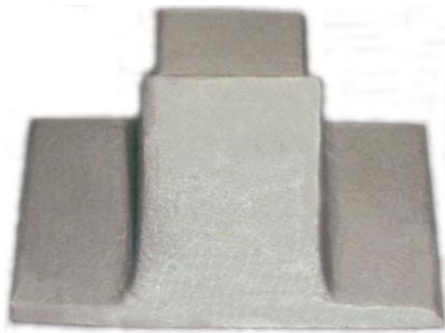


Used with 1201 & 1202 Corner Caps

Part 3963- Duralite Front Cap For Straight Roof



Part 531- End Cap

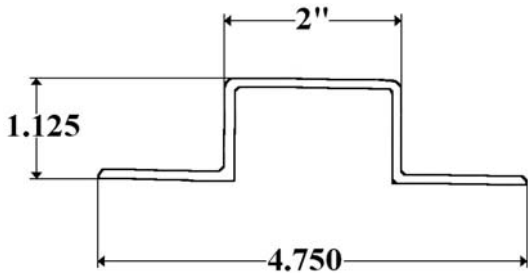


For RR531 Extrusion

Part 971- Duralite *Old Style* Rear Cap



Part RR531- RUB Rail



Uses Casting #531

Part S2022- Duralite Roof Bow

