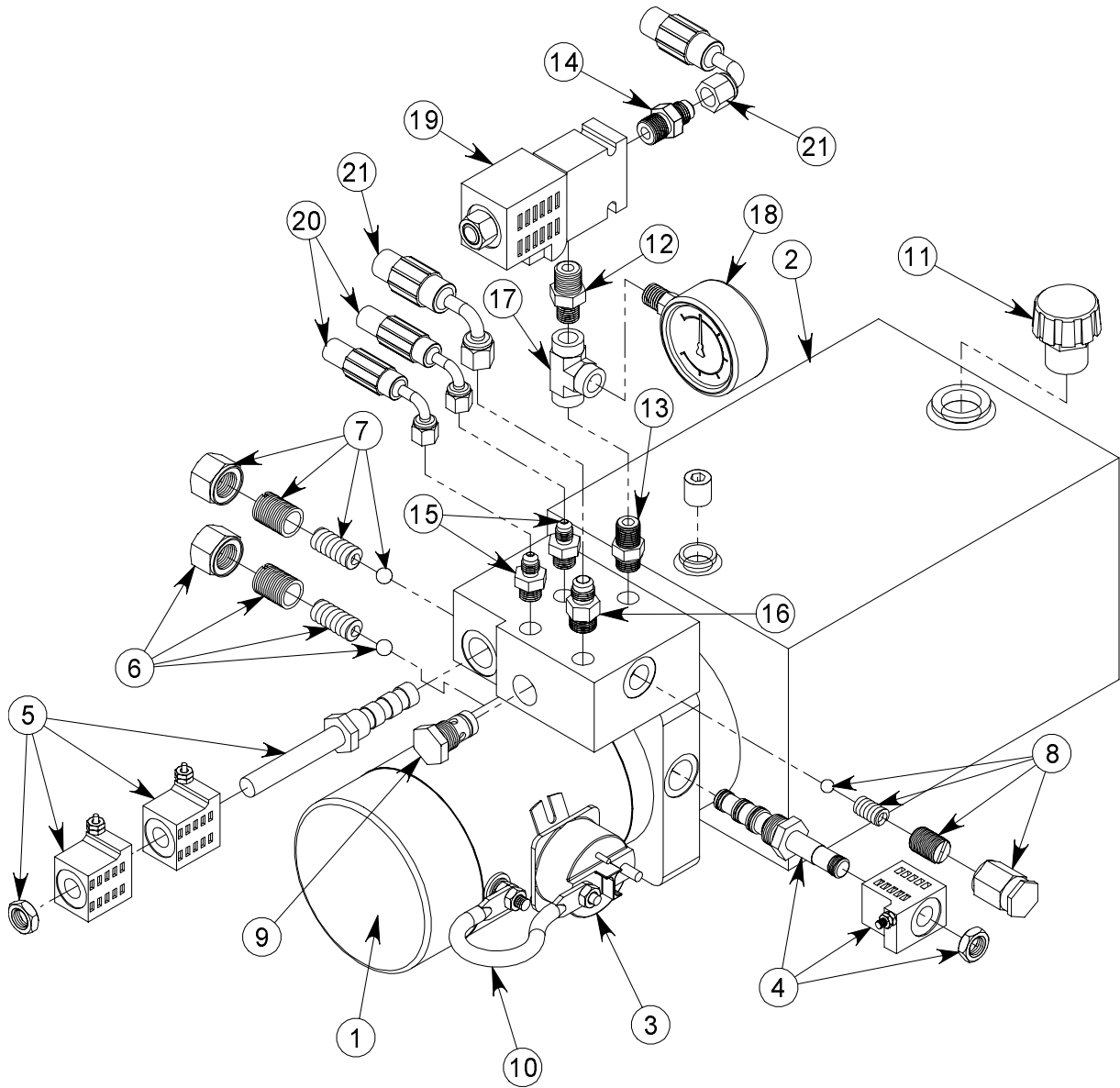
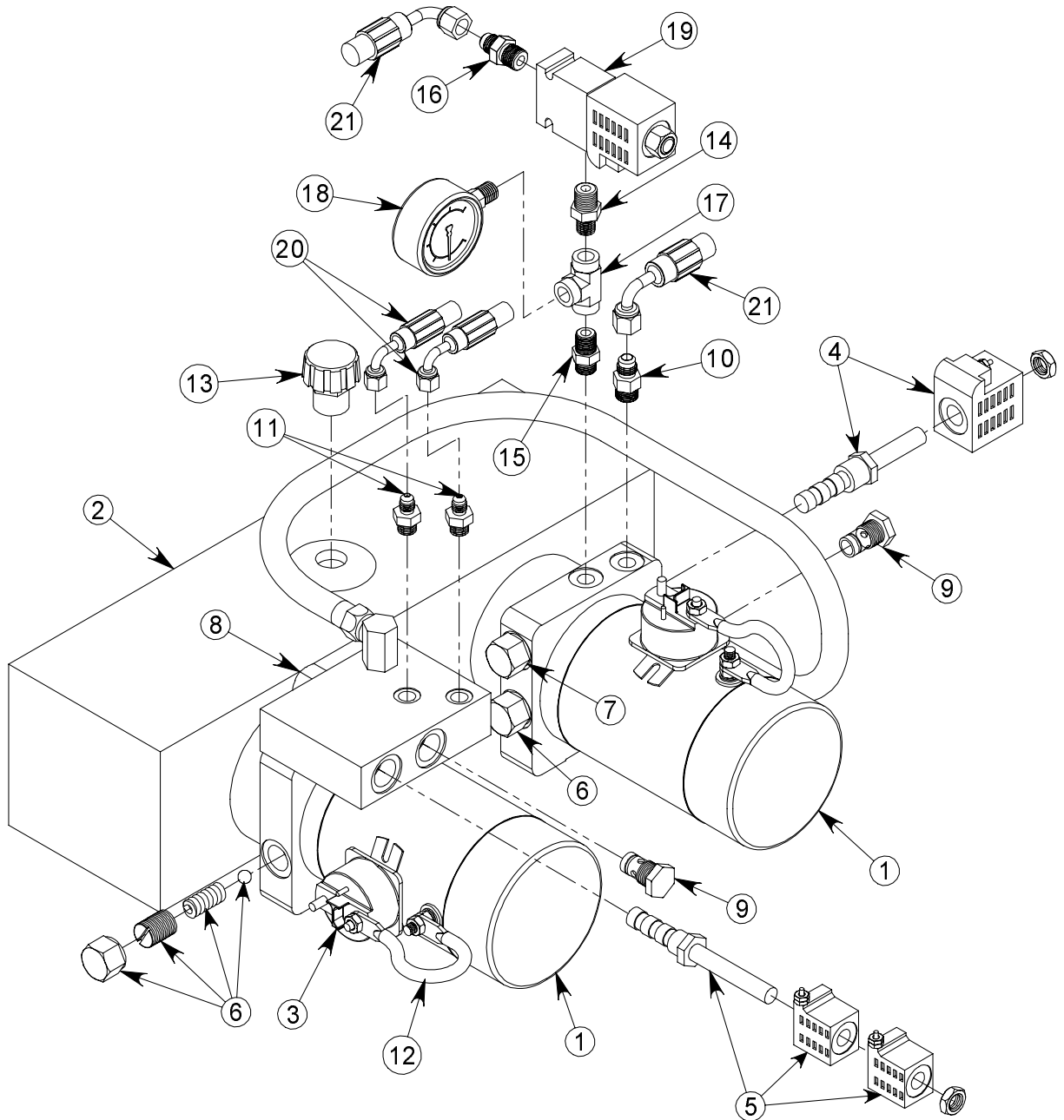


**Hydraulic Power Unit Assembly – ILD35 and ILD44**



ITEM #	DESCRIPTION	PART #	QTY	ITEM #	DESCRIPTION	PART #	QTY
	POWER UNIT ASSEMBLY	68030	1	11	FILLER CAP	20979	1
1	MOTOR	25163	1	12	FITTING, ¼ NPTM X 3/8 NPTM	20672	1
2	RESEVOIR	68234	1	13	FITTING, ¼ NPTM X 9/16 O’RING	68049	1
3	SOLENOID, 12VDC	20722	1	14	FITTING, 3/8 NPTM X 3/8 JICM	68055	1
4	VALVE, 4W2P, CARTRIDGE	68224	1	15	FITTING, ¼ JICM X 9/16 O’RING	68056	2
5	VALVE, 4W3P, CARTRIDGE	68225	1	16	FITTING, 3/8 JICM X 9/16 O’RING	68057	1
6	VALVE, RELIEF, MAIN	68226	1	17	FITTING, ¼ NPTF TEE	68058	1
7	VALVE, RELIEF, POWER DOWN	68227	1	18	PRESSURE GAUGE	68061	1
8	VALVE, RELIEF, POC	68230	1	19	VALVE, BI DIRECTION LOCK	68149	1
9	VALVE, CHECK	25477	1	20	HOSE, ¼” JICF	68392	2
10	CABLE, SOLENOID	10220	1	21	HOSE, 3/8” JICF	68393	2

**Hydraulic Power Unit Assembly – ILD55 and ILD66**

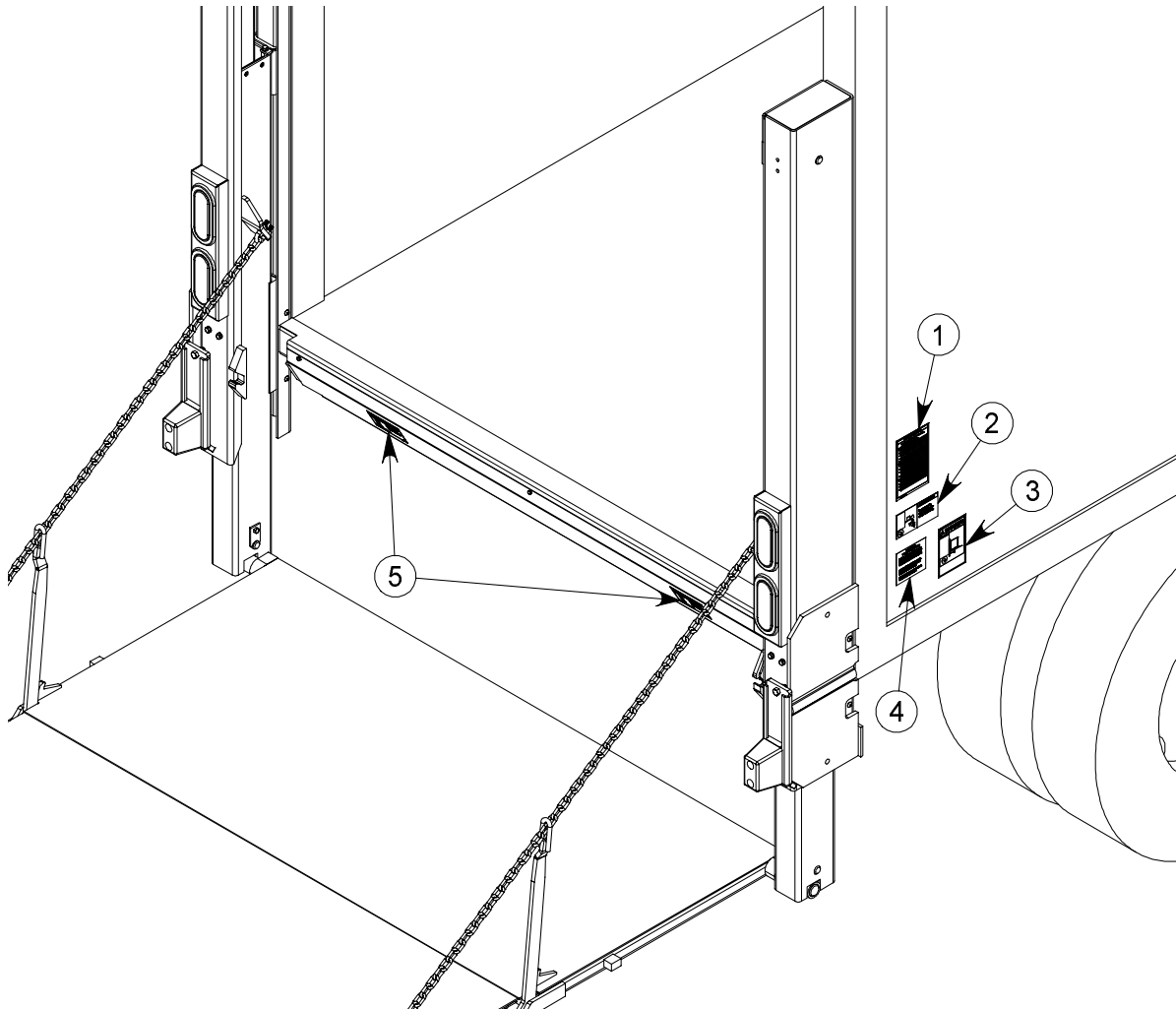


ITEM #	DESCRIPTION	PART #	QTY	ITEM #	DESCRIPTION	PART #	QTY
	POWER UNIT ASSEMBLY	68839	1	11	FITTING, ¼ JICM X 9/16 O'RING	68056	2
1	MOTOR	25163	2	12	CABLE, SOLENOID	10022	2
2	RESEVOIR	68629	1	13	FILLER CAP	20979	1
3	SOLENOID, 12VDC	20722	2	14	FITTING, ¼ NPTM X 3/8 NPTM	20672	1
4	VALVE, 4W2P, CARTRIDGE	68224	1	15	FITTING, ¼ NPTM X 3/8 O'RING	68049	1
5	VALVE, 4W3P, CARTRIDGE	68225	1	16	FITTING, 3/8 NPTM X 3/8 JICM	68055	1
6	VALVE, RELIEF, MAIN	68226	1	17	FITTING, ¼ NPTF TEE	68058	1
7	VALVE, RELIEF, POWER DOWN	68227	1	18	PRESSURE GAUGE	68061	1
8	VALVE, RELIEF, POC	68230	1	19	VALVE, BI DIRECTION LOCK	68149	1
9	VALVE, CHECK	25477	2	20	HOSE, ¼" JICF	68392	2
10	FITTING, 3/8 JICM X 9/16 O'RING	68057	1	21	HOSE, 3/8" JICF	68393	2

**Decals**

Properly placed warning decals are an essential part of your safety program. Check that all safety decals are in place and are legible. Any missing decals **MUST** be replaced immediately. Replacement decals may be obtained **FREE** of charge from your distributor or by phoning, writing, or faxing us.

Following are the proper decals that you should have and their proper locations:



ITEM #	DESCRIPTION	ILD35	ILD44	ILD55	ILD66	QTY
1	OPERATING INSTRUCTIONS			68845		1
2	WARNING, KEEP CLEAR			20425		1
3	WARNING, MAX. CAPACITY	68846	68217	68847	20875	2
4	URGENT WARNING			16181		1
5	DANGER, LIFTGATE CAN CRUSH			16184		2

## Help and Service

With careful maintenance and operation your **Interlift** liftgate should give you years of trouble free use. If a problem does develop, contact your liftgate distributor. They are best equipped to service your liftgate.

If you have suspected warranty problems, contact the distributor from whom you purchased the liftgate. They will normally process your claim from start to finish.

Your distributor will repair your liftgate and get you on the road as quickly as possible. They may invoice you for this service. If the problem is found to be warrantable by Interlift Inc., Interlift Inc. will issue your Distributor a credit, which should then be credited back to you.