

## Ordering Information

**STEP 1** Determine the assembly on which the desired part is located using either the Table of Contents (page 2) or the Key Components diagram (page 5)

**STEP 2** Identify the Item number from the appropriate part in the assembly diagram.

**STEP 3** Locate the appropriate row listing the Item number in the table below the assembly diagram.

ITEM #	DESCRIPTION	ILD35 ILD44	ILD55 ILD66
1	SLIDER, LH	68004	
2	WEAR PAD, UPPER BACK	68009	
3	WEAR PAD PLATE, UPPER FRONT	68014	

**STEP 4** Locate the column in the table that matches your model liftgate.

ITEM #	DESCRIPTION	ILD35 ILD44	ILD55 ILD66
1	SLIDER, LH	68004	
2	WEAR PAD, UPPER BACK	68009	
3	WEAR PAD PLATE, UPPER FRONT	68014	

**STEP 6** Find the correct part number.

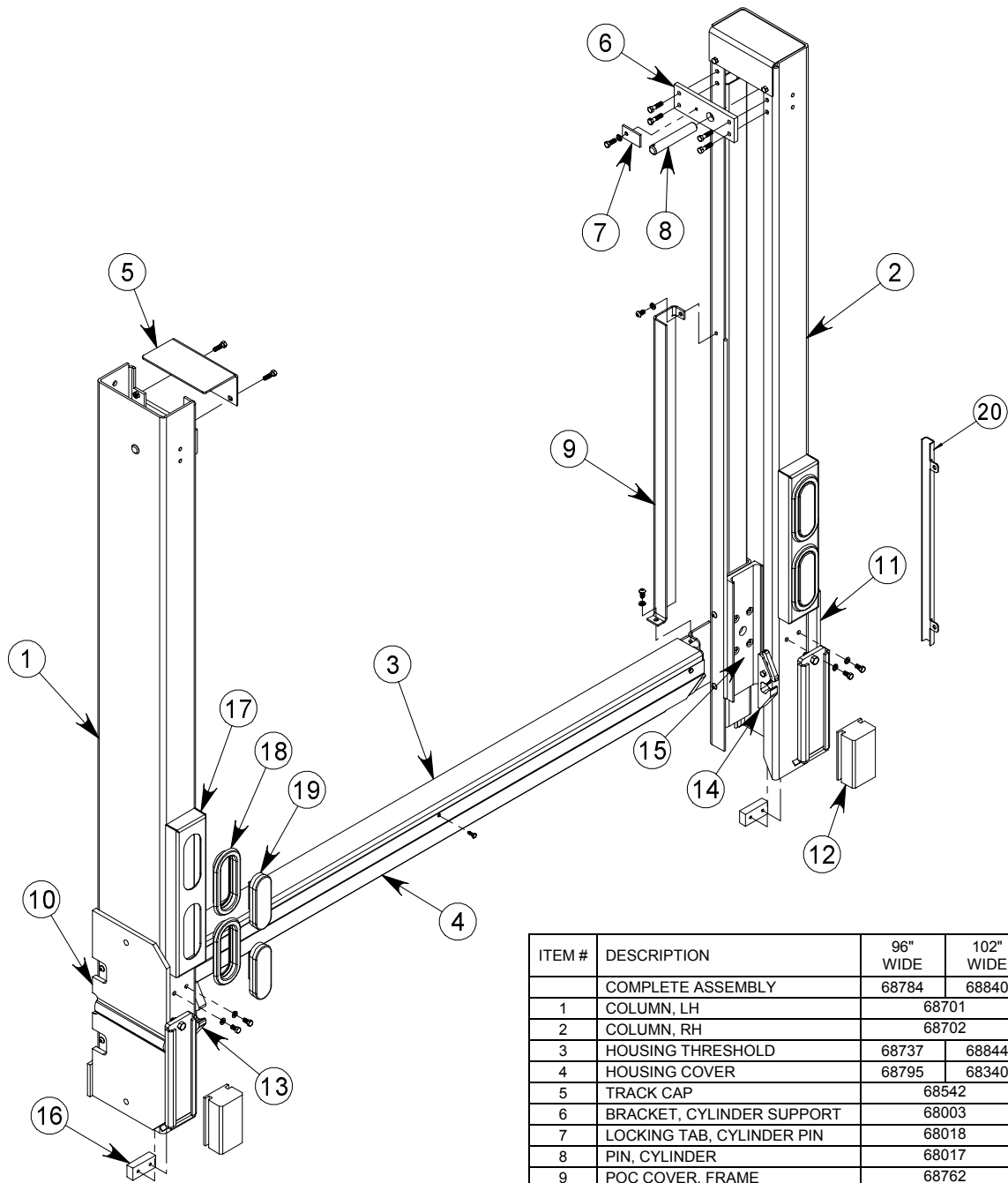
ITEM #	DESCRIPTION	ILD35 ILD44	ILD55 ILD66
1	SLIDER, LH	68004	
2	WEAR PAD, UPPER BACK	68009	
3	WEAR PAD PLATE, UPPER FRONT	68014	

**STEP 7** Order the part

Model Number: ILD4472  
 Part Name: Slider, LH  
 Quantity Required: 1  
 Part Number: 68004



**H-Frame – ILD (All Models)**

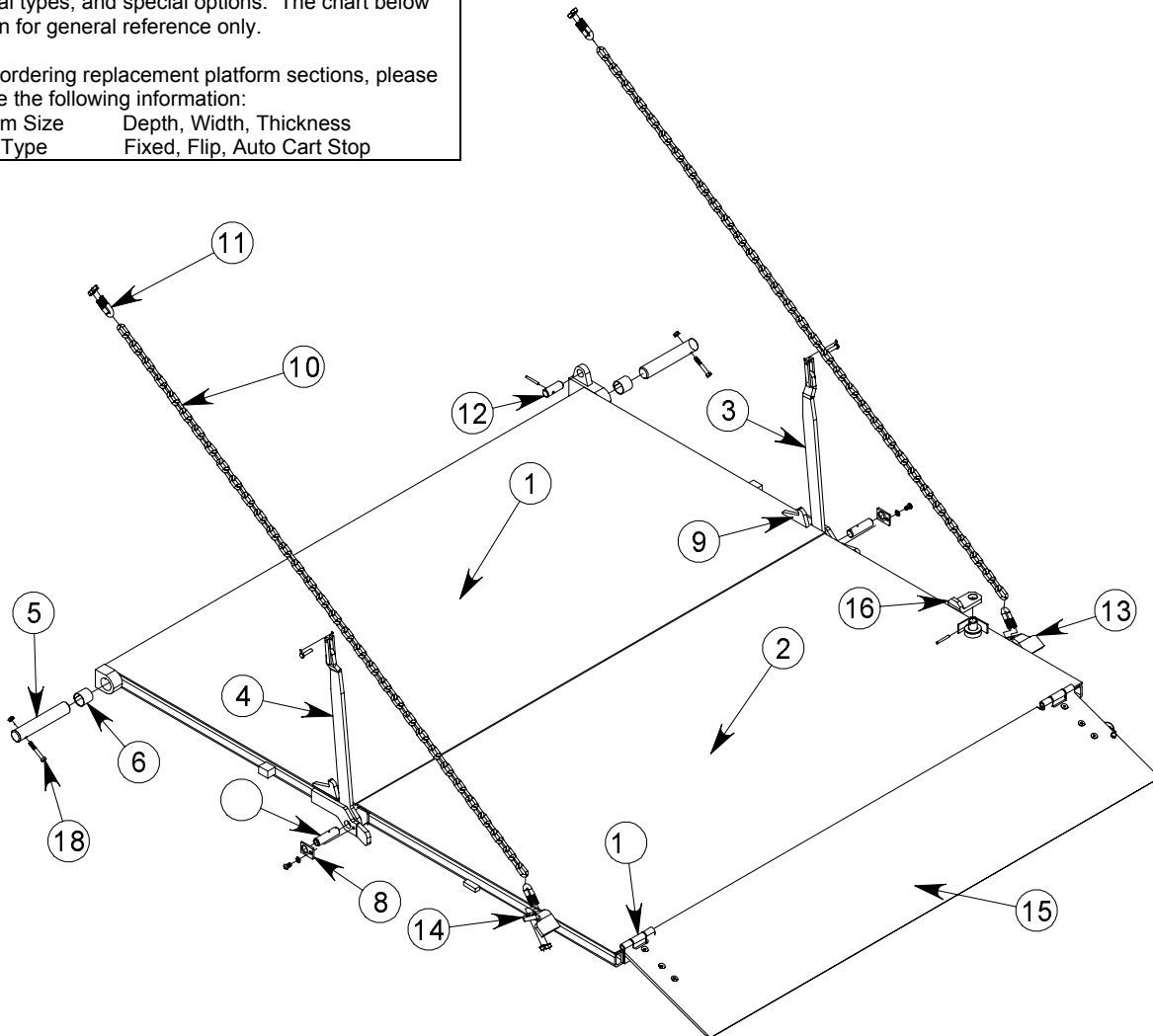


ITEM #	DESCRIPTION	96" WIDE	102" WIDE	QTY
	COMPLETE ASSEMBLY	68784	68840	1
1	COLUMN, LH	68701		1
2	COLUMN, RH	68702		1
3	HOUSING THRESHOLD	68737	68844	1
4	HOUSING COVER	68795	68340	1
5	TRACK CAP	68542		2
6	BRACKET, CYLINDER SUPPORT	68003		2
7	LOCKING TAB, CYLINDER PIN	68018		2
8	PIN, CYLINDER	68017		2
9	POC COVER, FRAME	68762		1
10	BUMPER ASSEMBLY, LH	68387		1
11	BUMPER ASSEMBLY, RH	68388		1
12	BUMPER PAD	68588		2
13	TRAVEL LATCH, RH	68785		1
14	TRAVEL LATCH, LH	68788		1
15	WEAR PAD, LOWER BACK	68007		2
16	SPACER PAD, LOWER FRONT	68026		2
17	LIGHT BRACKET, OVAL LED	68164		2
18	GROMMET, OVAL LIGHT	16137		4
19	LED LIGHT, OVAL, RED	16416		4
20	COVER, SWITCH WIRE,	68892		1

## Platform – ILD35 and ILD44

Platforms are available in many different sizes, material types, and special options. The chart below is given for general reference only.

When ordering replacement platform sections, please provide the following information:  
 Platform Size      Depth, Width, Thickness  
 Ramp Type          Fixed, Flip, Auto Cart Stop



ITEM #	DESCRIPTION	DV45								QTY
		80x60+12	80x72+16	80x72+12	80x84+16	86x60+12	86x72+16	86x72+12	86x84+16	
	PLATFORM ASSEMBLY	68441	68442	68443	68444	68445	68446	68447	68448	1
1	PLATFORM , MAIN	68855		68715		68857		68798		1
2	PLATFORM, RAMP	68856	68877	68818	68716	68858	68878	68806	68799	1
3	SIDE ARM, RH	68885		68730		68885		68730		1
4	SIDE ARM, LH	68886		68731		68886		68731		1
5	PIN, SLIDER HINGE					68739				2
6	BUSHING					68119				2
7	PIN, PLATFORM HINGE					68741				2
8	LOCKING TAB, PLATFORM					68742				2
9	DOCK LOCK					68794				2
10	SIDE CHAIN	30213 -67"		30213 - 80"		30213 - 67"		30213 - 80"		2
11	U-BOLT					16199				4
12	PIN, POC CYLINDER					68529				1
13	TRAVEL EAR, RH					68708				1
14	TRAVEL EAR, LH					68709				1
15	FLIP RAMP	-	68838	-	68838	-	68832	-	68838	0/1
16	LATCH, FLIP RAMP	-	68142	-	68142	-	68142	-	68142	0/1
17	HINGE, FLIP RAMP	-	40094	-	40094	-	40094	-	40094	0/2
18	BOLT, HINGE PIN					30016				2