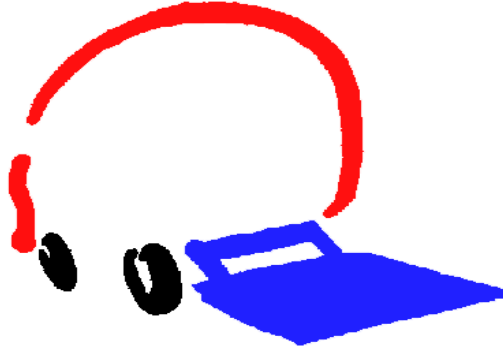




**ILF 33,38
PARTS BREAK DOWN**



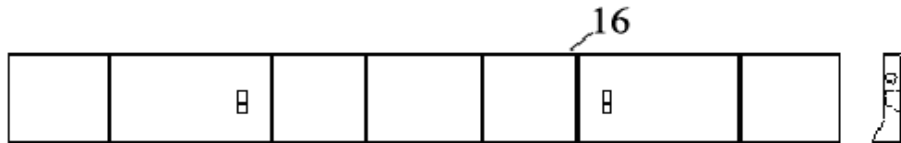
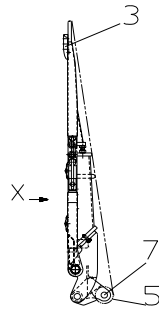
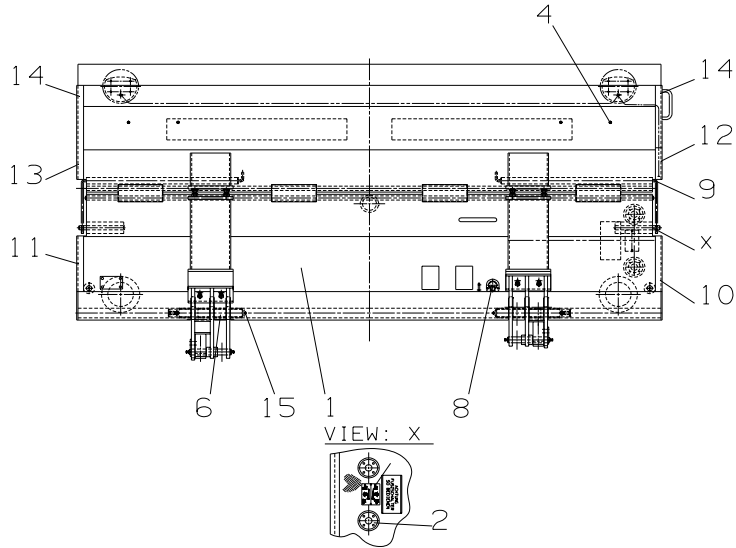
[Interlift Inc. a member of MBB](#)

15937 Piuma Ave, Cerritos, CA 90703 TEL. (562) 924-8218 Fax. (562) 924-8318

DATE: 7-31-03

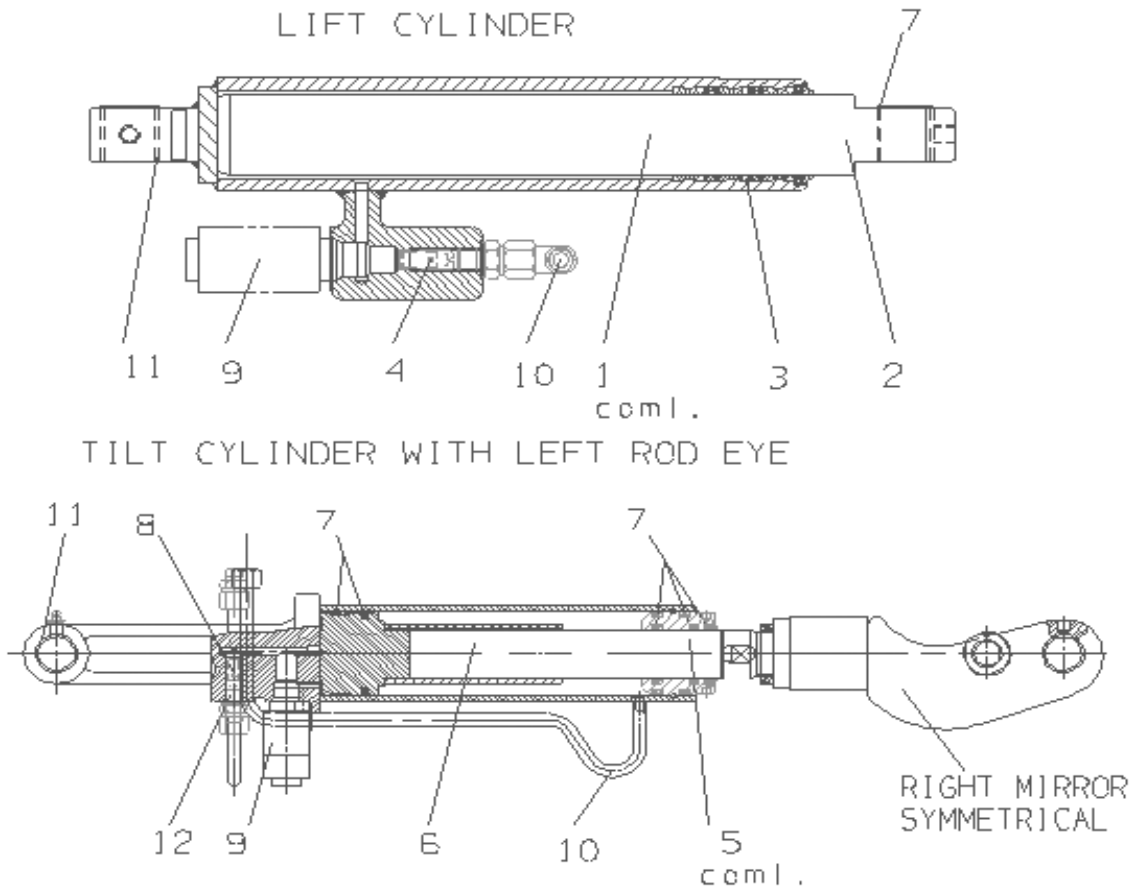
REVISION: 0

ILF PLATFORM



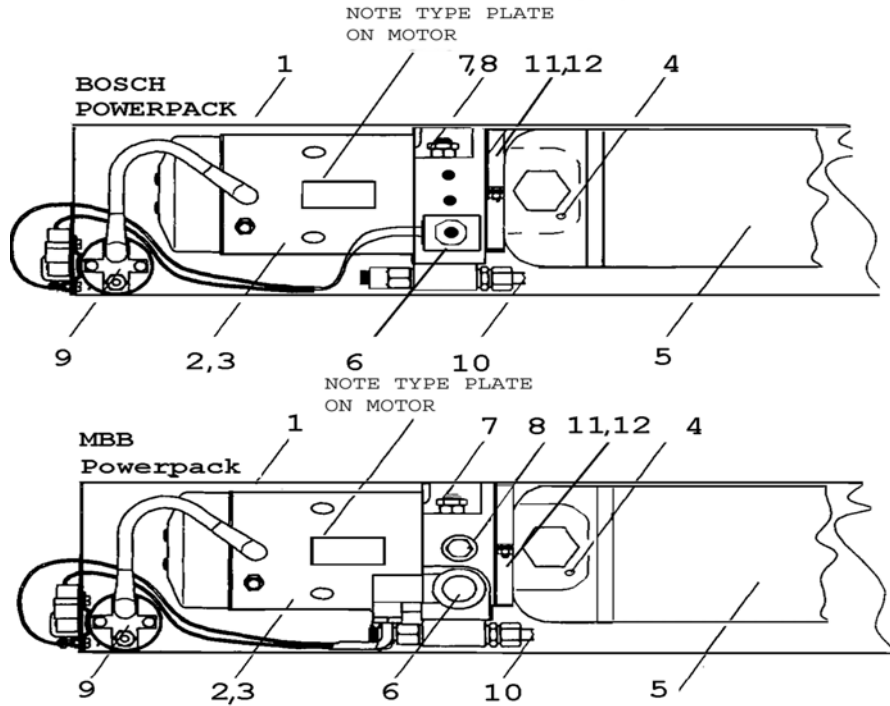
No.	Description	Part No.		
1	Platform	on request		
2	Foot control button K 2-wire	1330 945		
3	Warning light 24volt	1068 391		
	Warning light 12volt	1078 771		
4	Warning flags	1201 789		
5	Pin 28 x 177 lift arm to platform	71942287		
6	Pin 36 x 335 inside platform	1403 072		
7	Pin 28 x 63 upper tilt cylinder	68194 849		
8	Platform plastic protective cover	1336 214		
9	Torsion bar	1404 458		
10	Side profile fixed section 810mm right	1410 008		
11	Side profile fixed section 810mm left	1410 009		
12	Side profil fold 795mm right	1410 010		
13	Side profil fold 795mm left	1410 011		
14	Side tip profile	1410 041		
15	Spring pin	1363 794		
16	Bed extension	Contact factory		

ILF CYLINDERS



No.	Description	Part No.	
1	Lift cylinder	1343 854	
2	Lift Piston rod	1401 503	
3	Lift rebuild Seal kit	1403 795	
4	Restrictor Flow control valve (R1/R2)	1355 942	
5	Tilt cylinder / 800 -left	1408 231	
	Tilt cylinder / 800 -right	1408 232	
	Tilt cylinder / 900 -left	1408 233	
	Tilt cylinder / 900 -right	1408 234	
	Tilt cylinder / 1000-left	1408 235	
	Tilt cylinder / 1000-right	1408 236	
6	Piston rod	1407 451	
7	Seal kit	1335 674	
8	Flow control valve (R1/R2)	1355 942	
9	Release valve 24 volt (S1-S4)	67282 353	
	Release valve 12 volt (S1-S4)	67282345	
10	Hydraulic hose set 6x850 (coml.=6pieces)	1303 233	
11	Bushing 32/28 X 31	1403 367	
12	Adaptor 1/4 X 10L hose fitting	1188 263	

ILF POWER PACK



No.	Description	ILF33	ILF38	BOSCH
1	Power pack			
	Type 95-569.00-00.00-00 24 volt	1405999	1405999	N/A
	Type95-570.00-00.00-00 12 volt	1406000	1406000	N/A
2	Motor 24 volt	1298059	1298059	1058500
	Motor 12 volt	1353555	1353555	1298264
3	Carbon brush 24 volt (before 98)	1404638	1404638	1116776
	Carbon brush 12 volt (before 98)	1116767	1116767	1116767
	Carbon brush 24 volt (from 98)	1407398	1407398	1116776
	Carbon brush 12 volt (from 98)	1403732	1403732	1116767
4	Pump 2.1cm ³	1298068	1298068	1058831
5	Oil reservoir 8 liter	1362483	1362483	70411296
6	Shift valve 24 volt (S5)	1299421	1299421	1058813
	Shift valve 12 volt (S5)	1299412	1299412	1058804
7	Shuttle valve	1298102	1298102	72335694
8	Pressure control valve	1298111	1298111	1058760
9	Motor solenoid relay 24 volt	67474899	67474899	67474899
	Motor solenoid relay 12 volt	1320127	1320127	1320127
10	Press. hose	1112885	1112885	1112885
11	Flow control valve (R5)	1298086	1298086	1058653
12	Cap with filter	1362518	1362518	70411490
13	Reservoir clamp set	1362509	1362509	1404308
14	Seal kit for power pack	1406752	1406752	on request
15	Filter for pump	1298022	1298022	70411385