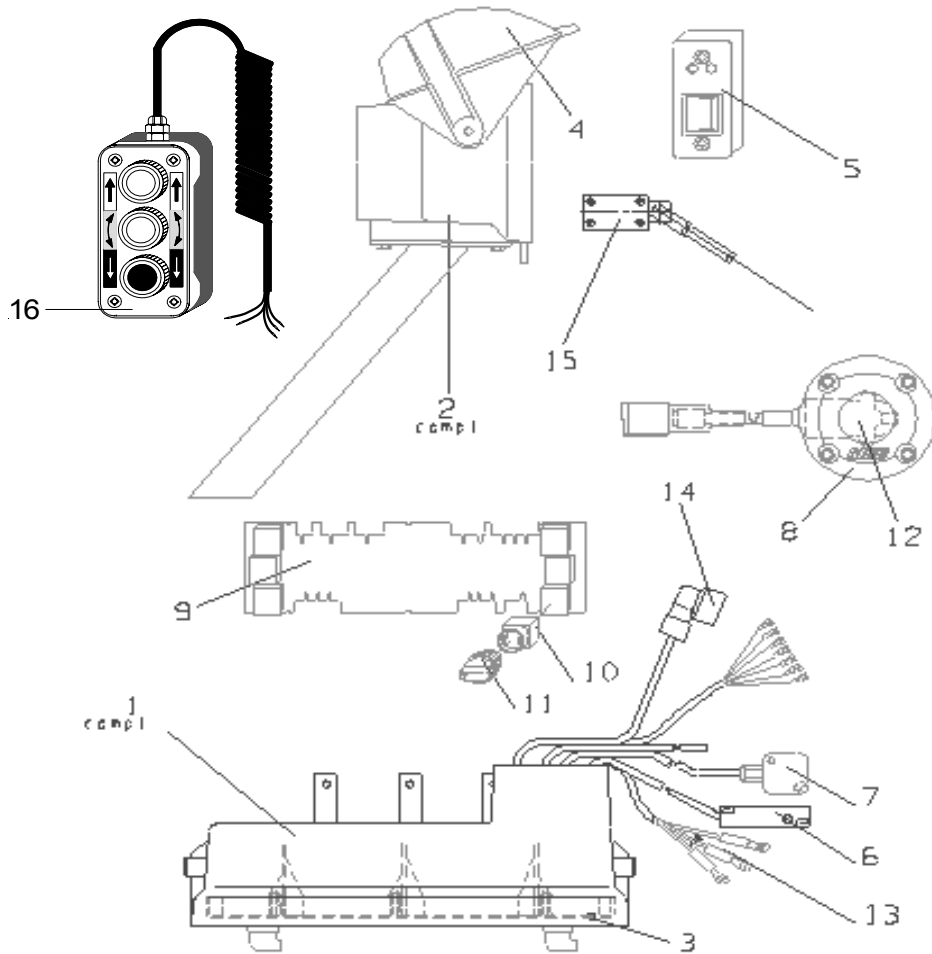
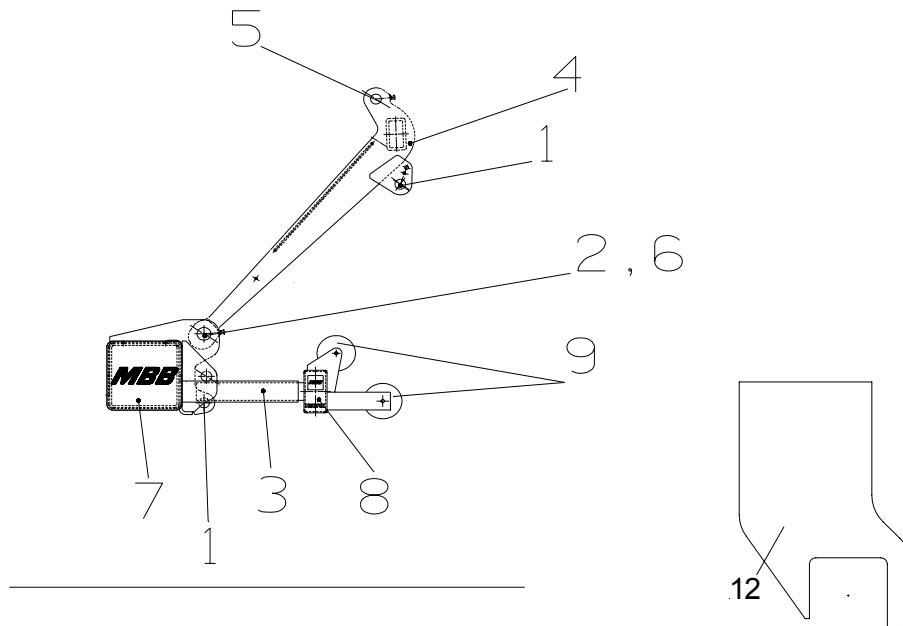
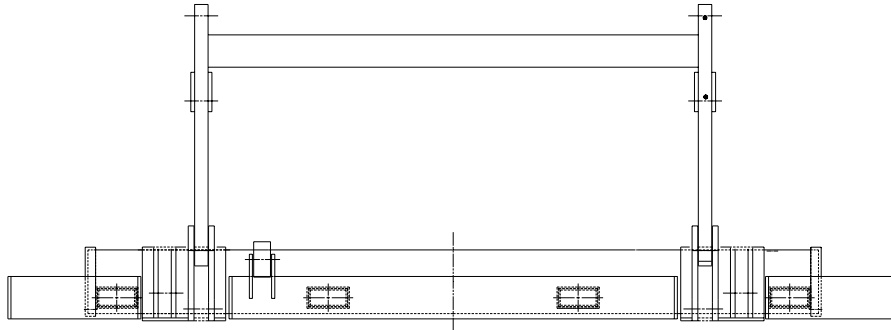


ILF CONTROL SYSTEM



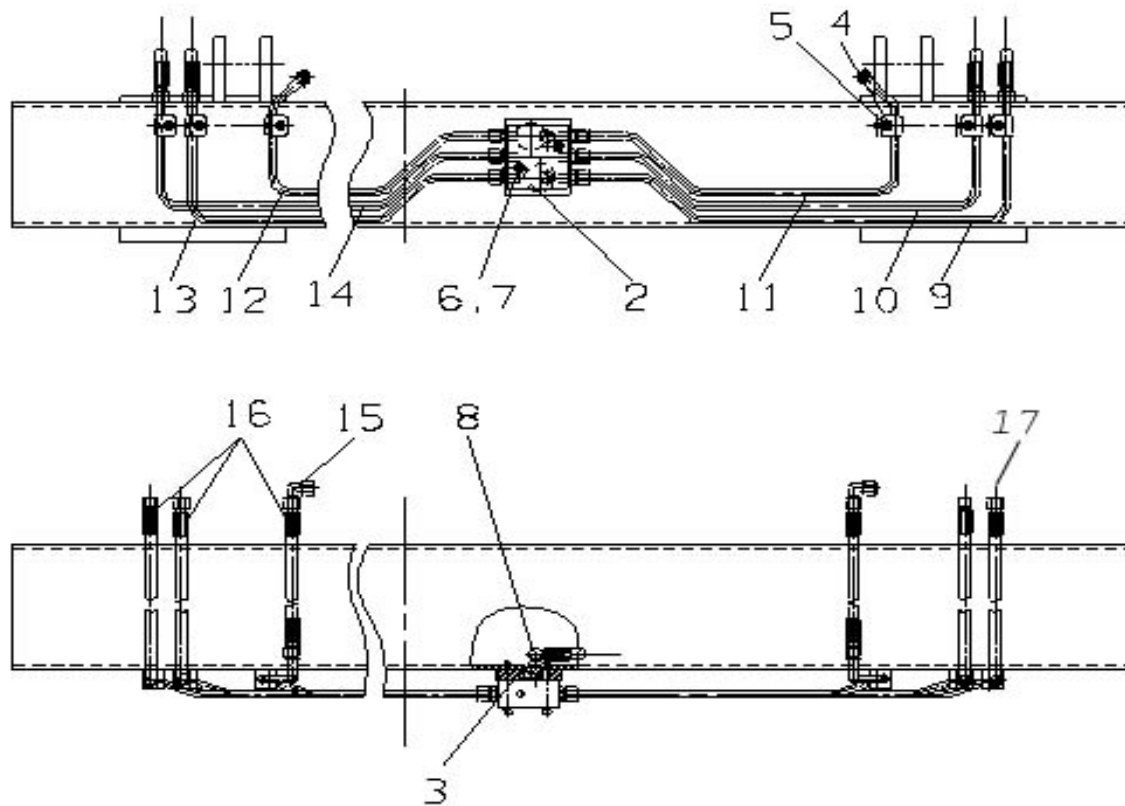
No.	Description	Part No.	w/ plug		
1	Control box w/ harness ILF	1363810			
2	Compl. Outer plastic box-K	1338 263			
3	Cover for momentary turn K	1338 245			
4	Flip down lid	1319 393			
5	Cab cut off K-style	1332 494			
6	B13 liftarm sensor	1332 476			
7	B15 platform sensor	1332 485			
8	Foot control button K 2-wire	1330 945			
9	PC board	1363186			
10	Contact block	1332 510			
11	Momentary turn knob K	1332 538			
12	Foot control button K 2-wire	1405 256			
13	Platform cable	1342 776			
14	Solenoid plug w/ long cable	67254 198			
15	End-switch	1188 914			
16	3 button hand control w/ coil cord	1203305	1203305P		

ILF LIFT GEAR



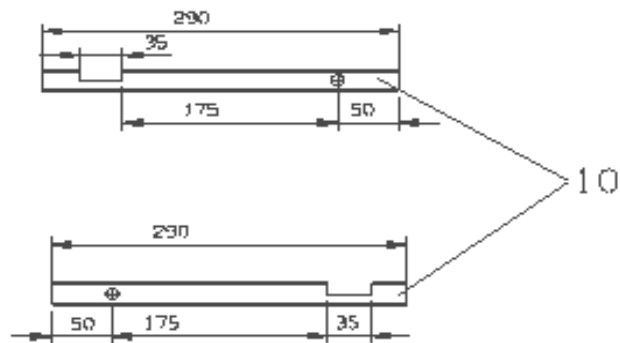
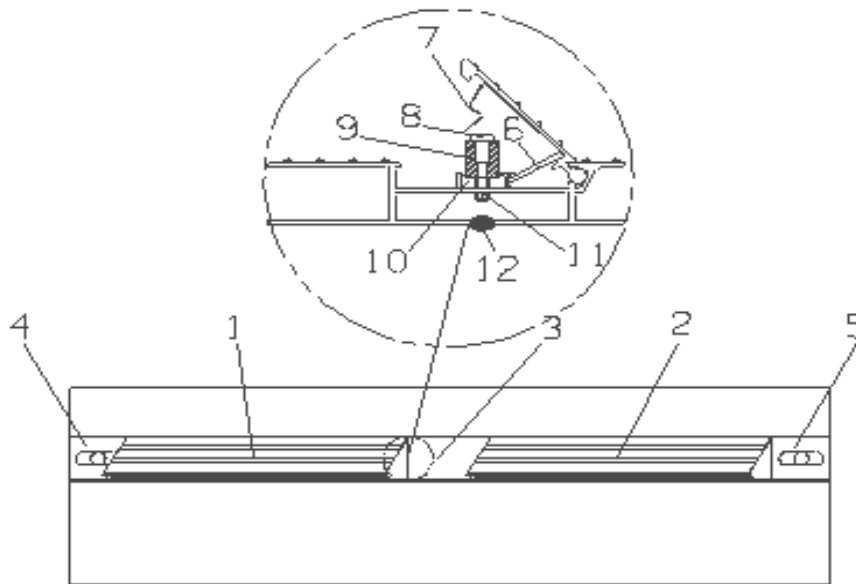
No.	Description	Part No.		
1	Pin 28x99	1326 307		
2	Pin 36x78	1350 394		
3	Support tube	on request		
4	Lift frame	on request		
5	Bushing 32/28 X 36	1403 364		
6	Bushing 32/28 X 31	1403 367		
7	Mount frame cover 7"x 7"	68483 018		
8	Mount tube plastic end	71019 233		
9	Wheel ILF	1147 619		
10	Pin kit compl. for lifting gear/platform/cylinder	1407 081		
11	Bushing kit compl. for lifting gear/platform/cylinder	1407 084		
12	Mount Plate ILF	on request		

ILF HYDRAULIC TUBING



No.	Description	ILF		
1	Hydraulic pipe set without hoses 6ea.	1401079		
2	Alu valve block	1330 067		
3	Plastic holder [2 parts]	1114 049		
4	Clamp	1108 532		
5	Bolt	66310 671		
6	Bolt	66107 728		
7	Lock washer	10274 275		
8	Hydraulic hose inside NW6x2000/1x90° 1ea.	1112 885		
9	Lower driver side hyd. Pipe	1129 943		
10	Med. driver side hyd. pipe	1129 952		
11	Top driver side hyd. pipe	1129 961		
12	Top curb side hyd. Pipe	1129 970		
13	Lower curb side hyd. Pipe	1129 989		
14	Med. Curb side hyd. pipe	1129 998		
15	90° Elbow	1232 266		
16	Hydraulic hose SET NW6x850 6pieces	1303 233		
17	Hydraulic hose NW6-850mm 1ea.	70605848		

ILF CART STOPS



No.	Descripton	L=650	L=800			
1	Cart stop profile right	2000 247	2000 249			
2	Cart stop profile left	2000 248	2000 250			
3	Alum. profile (205 mm)	-----	2000 267			
	Alum. profile (100 mm)	2000 268	-----			
4	Side alu profile right (300 mm)	2000 265	2000 265			
5	Side alu profile left (300 mm)	2000 266	2000 266			
6	Spring	1408 661	1408 661			
7	Lock spring with screw	1409 349	1409 349			
8	Screw	10285 137	10285 137			
9	Bushing	1409 346	1409 346			
10	Rail left	1409 347	1409 347			
	Rail right	2000 888	2000 888			
11	Nut	66792 036	66792 036			
12	Plastic cover	1409 348	1409 348			