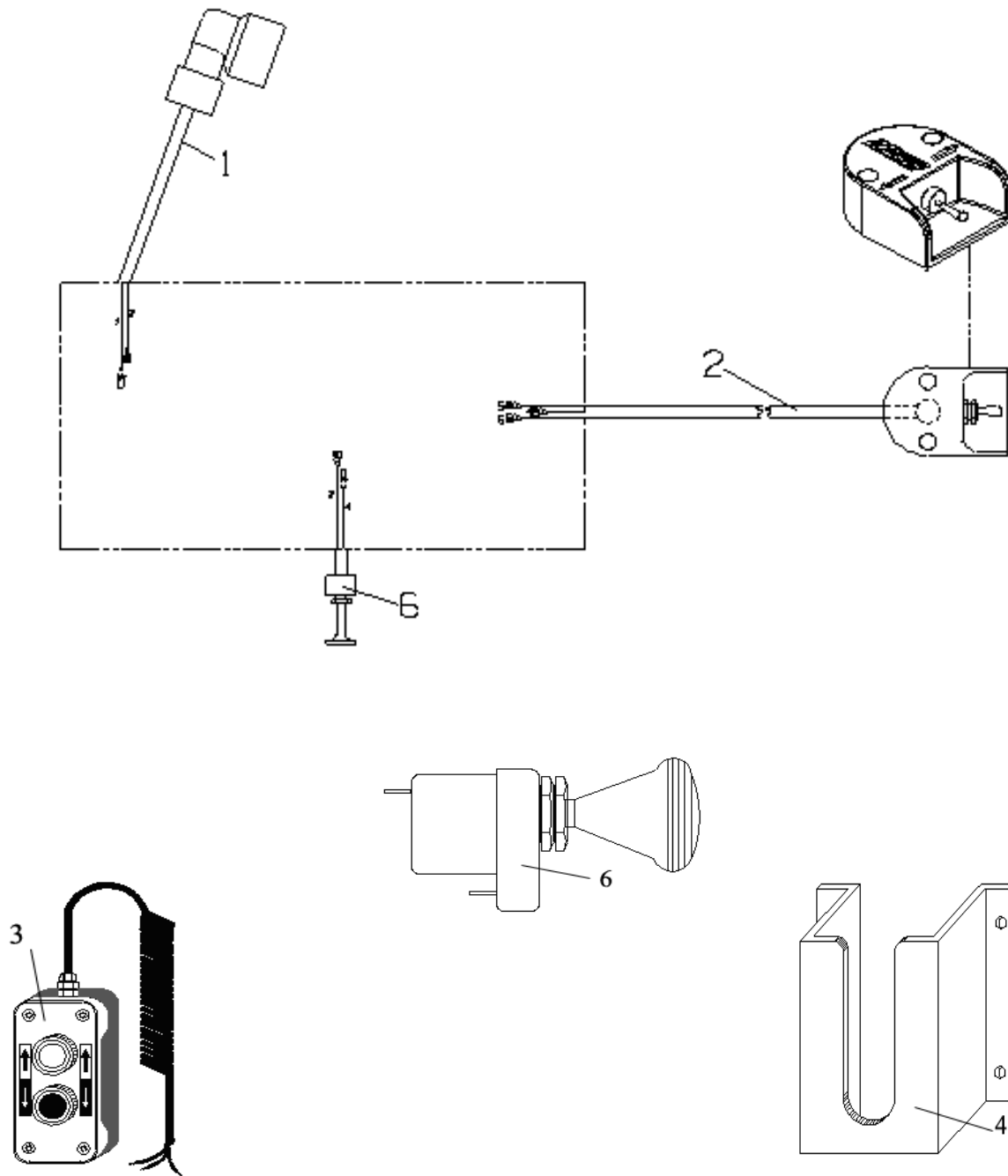
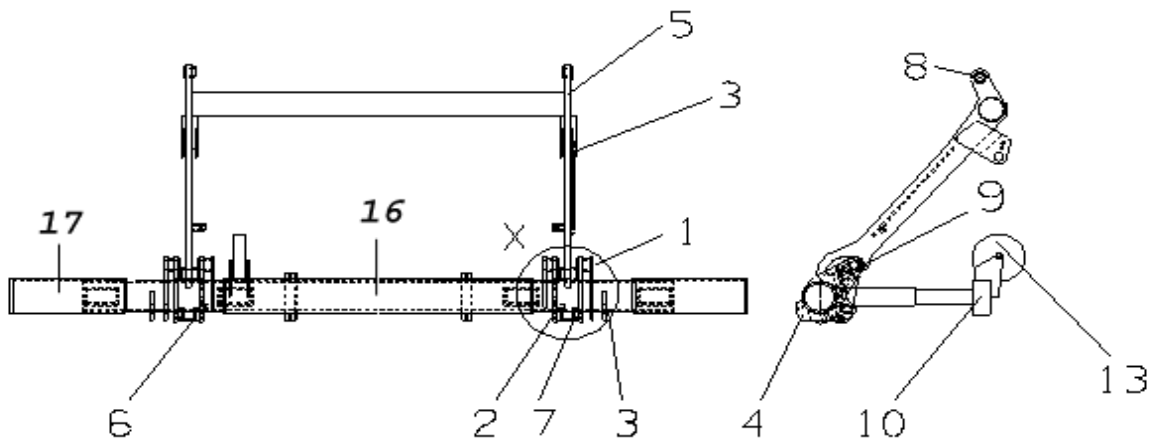


ILP- ILFS CONTROL SYSTEM

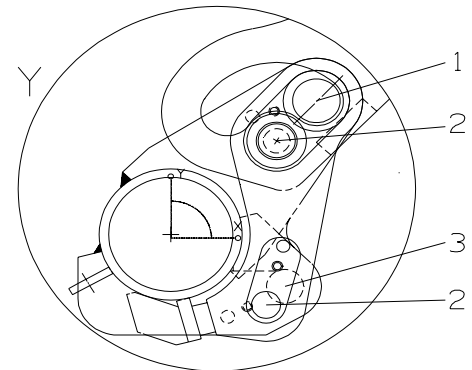
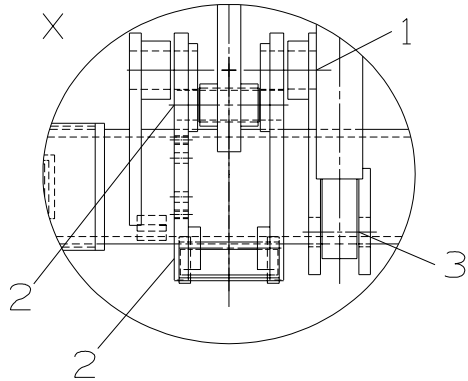
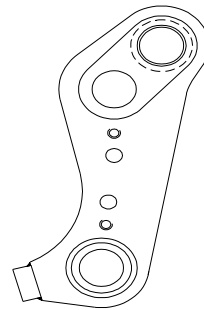
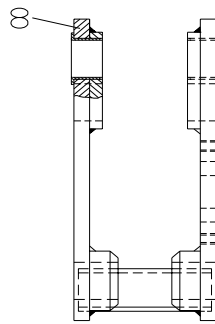


No.	Description	Part No.	with plug	
1	SOLENOID PLUG W/ LONG CABLE	67254198		
2	TOGGLE SWITCH (NEW)	2004565		
3	2 BUTTON H/C W/COIL (OPTIONAL)	72916816	72916816P	
4	HOLSTER - SAFETY YEL*	1-00050		
6	PUSH-PULL ON-OFF CAB SWITCH ILP/ILFS	1201838		

ILP- ILFS LIFTING GEAR

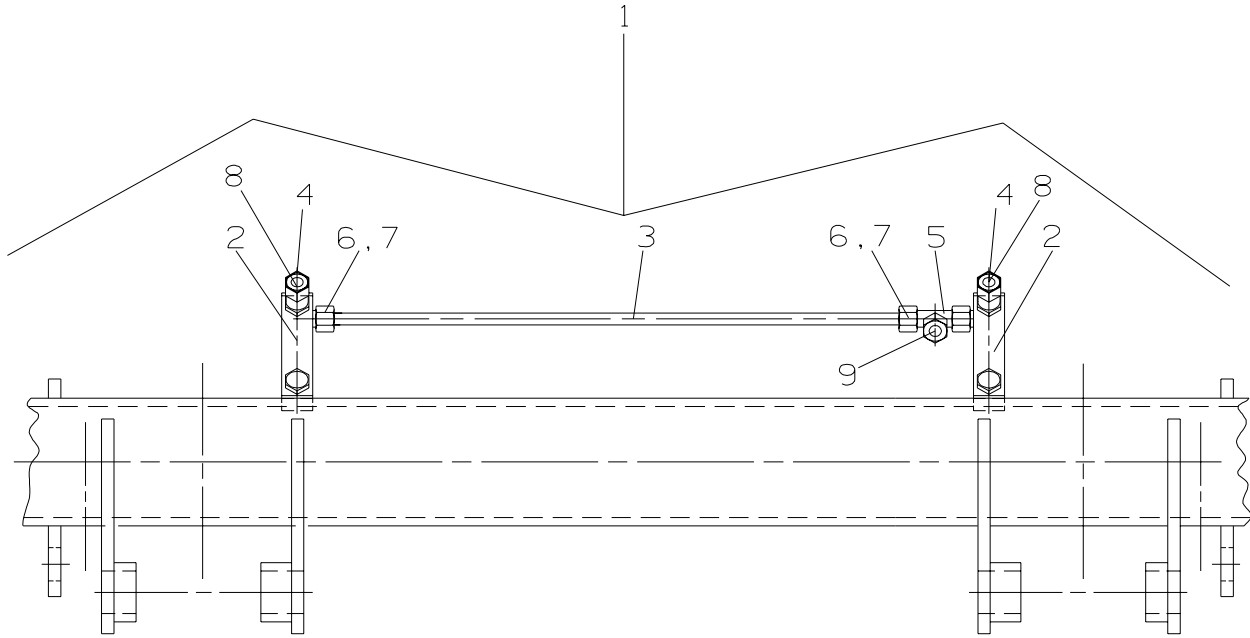


joint see No.6, 7



No.	Description	Parts No.	Liftarm 800	Liftarm 900
1	PIN 36 x 170 ILFS	1238 286		
2	PIN 28 x 100 ILFS	1238 277		
3	ILFS LOWER PARALLEL ARM PIN 28 x 68	1129 102		
4	MOUNT FRAME ILP HD	contact	factory	
4	MOUNT FRAME ILFS HD	1232 010		
5	ILFS LIFTARM		1237083	1238 062
6	SWINGING FIXTURE - LEFT ILFS	1237 029		
7	SWINGING FIXTURE - RIGHT ILFS	1237 038		
8	BUSHING 32/28 X 36	1403 364		
9	BUSHING 32/28 X 31	1403 367		
10	MOUNT TUBE PLASTIC END 120mm x 60mm	71019 233		
11	PIN KIT COMP.	1407 782		
12	BUSHING KIT COMP.	1407 783		
13	WHEEL ILFS	1147 619		
14	STUDIO MOUNT PLATE	contact	factory	
15	MOUNT PLATE W/ BOTTOM CLIP ILP	1227863		
16	CENTER BUMPER	91050050		
17	OUTER BUMPER	91050150		

ILP-ILFS HYDRAULIC PIPE



No.	Description	Article-No.			
1	HYDRAULIC PIPE SET WITHOUT HOSES	1201 034			
2	STRAP	1278 692			
3	HYDRAULIC STEEL PIPE 10x1,5x963	1323 735			
4	90° BULK HEAD FITTING	1111 066			
5	10L T-FITTING ILP/ILFS	1111 075			
6	UNION NUT	10666 980			
7	OLIVE	1130 927			
8	HYDRAULIC HOSE 6 x 850mm	70605 848			
9	Hydraulic hose NW 6 x 1600mm	1016 771			