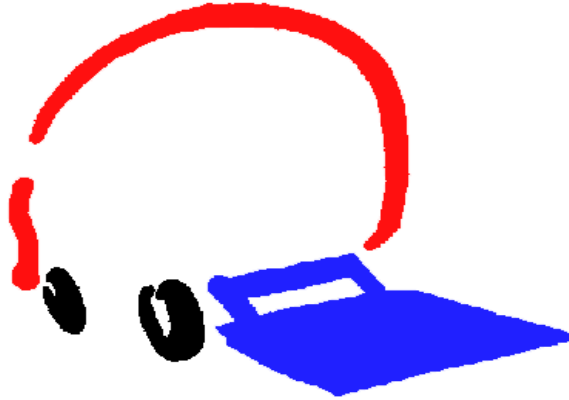




**ILK 20,22,33,44,55 &66
PARTS BREAK DOWN**



[Interlift Inc.a member of MBB](#)

15937 Piuma Ave, Cerritos, CA 90703 TEL. (562) 924-8218 Fax. (562) 924-8318

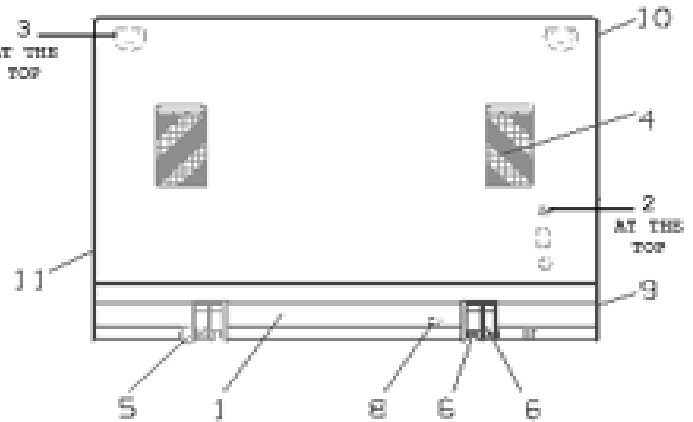
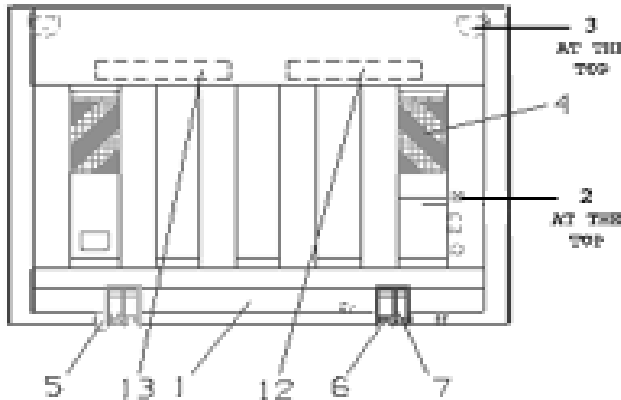
DATE: 7-31-03

REVISION: 0

ILK PLATFORM

STEEL - PLATFORM

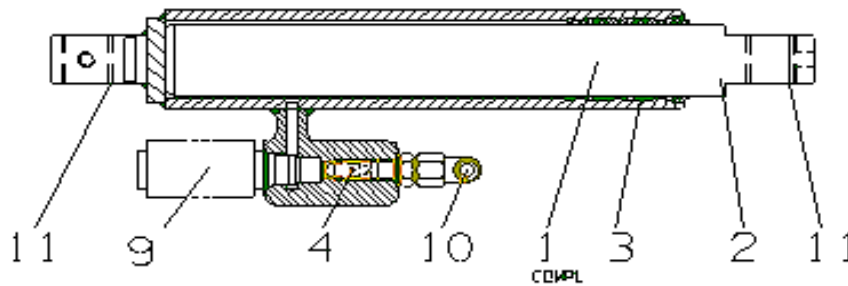
ALU - PLATFORM



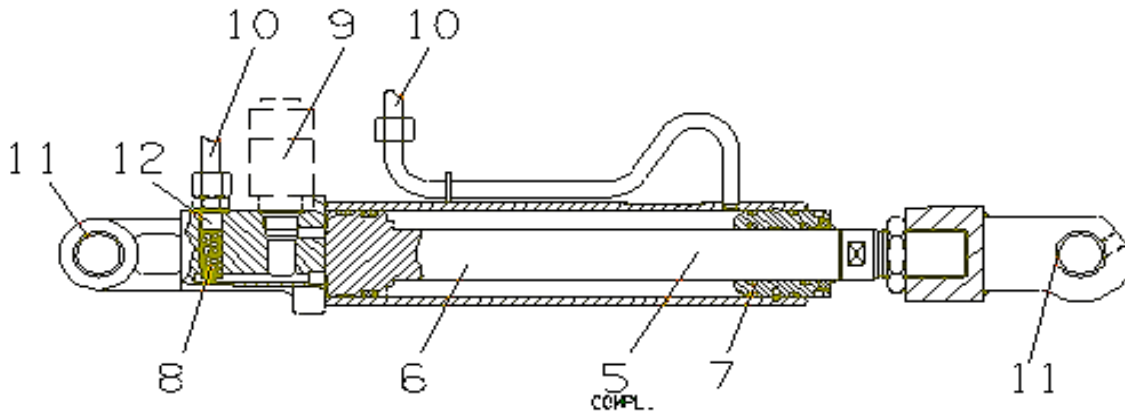
No.	Description	ILK20	ILK22	ILK33	ILK44	ILK55	ILK66
1	Platform (steel/alu)	on request	on request	on request	on request	on request	on request
2	Foot control button K 2-wire	1330945	1330945	1330945	1330945	1330945	1330945
3	Warning lights 24 volt	1068391	1068391	1068391	1068391	1068391	1068391
	Warning lights 12 volt	1078771	1078771	1078771	1078771	1078771	1078771
4	Warning flags	1301789	1301789	1301789	1301789	1301789	1301789
5	Ground rollers kit (one side)	1400927	1400927	1354156	1358181	1358181	1348000
6	Pin 25x114	1346238	1346238	N/A	N/A	N/A	N/A
	Pin 28x119 (4 for Alu)	N/A	N/A	1335280	N/A	N/A	N/A
	Pin 36x120	N/A	N/A	N/A	1350858	1350858	N/A
	Pin 40x145	N/A	N/A	N/A	N/A	N/A	1329586
7	Pin 28x120	N/A	N/A	1326307	N/A	N/A	N/A
	Pin 36x120	N/A	N/A	N/A	1350858	P-1350858	N/A
8	Platform plastic protective cover	1336214	1336214	1336214	1336214	1336214	1336214
9	Plastic cap 110mm - Left	1276295	1276295	N/A	N/A	N/A	N/A
	Plastic cap 110mm - Right	1276286	1276286	N/A	N/A	N/A	N/A
	Plastic cap 140mm - Right	N/A	N/A	1301533	1301533	1301533	N/A
	Plastic cap 140mm - Left	N/A	N/A	1301542	1301542	1301542	N/A
10	Plastic cap tip Right 280lg	1404975	1404975	1404975	N/A	N/A	N/A
	Plastic cap tip left 280lg	1404976	1404976	1404976	N/A	N/A	N/A
	Plastic silver cap - Right 380lg	1404105	1404105	1404105	1404105	1404105	N/A
	Plastic silver cap - Left 380lg	1404104	1404104	1404104	1404104	1404104	N/A
11	Alum. side profile	1244640	1244640	1244640	1244640	1244640	N/A
12	Steel cart stop - Right	1-00005R	1-00005R	68397456	68397456	68397456	68397456
	Plastic coated Roll stop right	N/A	N/A	1207518	1207518	1207518	1207518
13	Steel cart stop - Left	1-00005L	1-00005L	68397499	68397499	68397499	68397499
	Plastic coated Roll stop left	N/A	N/A	1207509	1207509	1207509	1207509

ILK CYLINDER

LIFT CYLINDER



TILT CYLINDER



No.	Description	ILK20	ILK22	ILK33	ILK44	ILK55	ILK66
1	Lift cylinder 600mm	1346953	N/A	N/A	N/A	N/A	N/A
	Lift cylinder (lift arm 700 mm)	N/A	1346953	N/A	1402453	1402453	N/A
	Lift cylinder (lift arm 800-1100 mm)	N/A	N/A	1343854	1350167	1350167	1325196
2	Lift Cylinder piston rod	1403798	1403798	1401503	1403799	1403799	1403800
3	Lift Cylinder seal kit	1400655	1400655	1403795	1403796	1403796	1403797
4	Restrictor control valve (R1/R2)	1355899	1355899	1355942	1363828	1363828	1325551
5	Tilt cylinder (lift arm 600 mm)	1402736	1402736	N/A	N/A	N/A	N/A
	Tilt cylinder (lift arm 700 mm)	1402740	1402740	1366286	N/A	N/A	N/A
	Tilt cylinder (lift arm 800 mm)	N/A	1402741	1366295	1403789	1403789	N/A
	Tilt cylinder (lift arm 900 mm)	N/A	N/A	1366302	1403790	1403790	1408431
	Tilt cylinder (lift arm 1000 mm)	N/A	N/A	N/A	1403791	1403791	1408454
	Tilt cylinder (lift arm 1100 mm)	N/A	N/A	N/A	1403792	1403792	N/A
6	Tilt Cylinder piston rod	1137226	1137226	68274028	71597539	71597539	1408445
7	Tilt Cylinder seal kit	1330665	1330665	1330674	1330683	1330683	1404524
8	Restrictor control valve (R3/R4)	1355942	1355942	1355942	1325551	1325551	1346112
9	Release valve 24 volt (S1-S4)	67282353	67282353	67282353	67282353	67282353	67282353
	Release valve 12 volt (S1-S4)	67282345	67282345	67282345	67282345	67282345	67282345
10	Hydraulic hose set (1 full set = 6pcs)	1303233	1303233	1303233	1303233	1303233	1303233
	Hydraulic hose (one each)	70605848	70605848	70605848	70605848	70605848	70605848
11	Bushing	1403365	1403365	1403367	1403363	1403363	1403362
12	Adaptor hose fitting	1232140	1232140	1188263	1188263	1188263	1188263

