

**Ordering Information**

**STEP 1** Determine the assembly on which the desired part is located using either the Table of Contents (page 2) or the Key Components diagram (page 5)

**STEP 2** Identify the Item number from the appropriate part in the assembly diagram.

**STEP 3** Locate the appropriate row listing the Item number in the table below the assembly diagram.

ITEM #	DESCRIPTION	ILM16	ILM20	ILM30
1	SPROCKET	20013		30007
2	PIN, SPROCKET	20016		
3	PIN RETAINER	20018		

**STEP 4** Locate the column in the table that matches your model liftgate.

ITEM #	DESCRIPTION	ILM16	ILM20	ILM30
1	SPROCKET	20013		30007
2	PIN, SPROCKET	20016		
3	PIN RETAINER	20018		

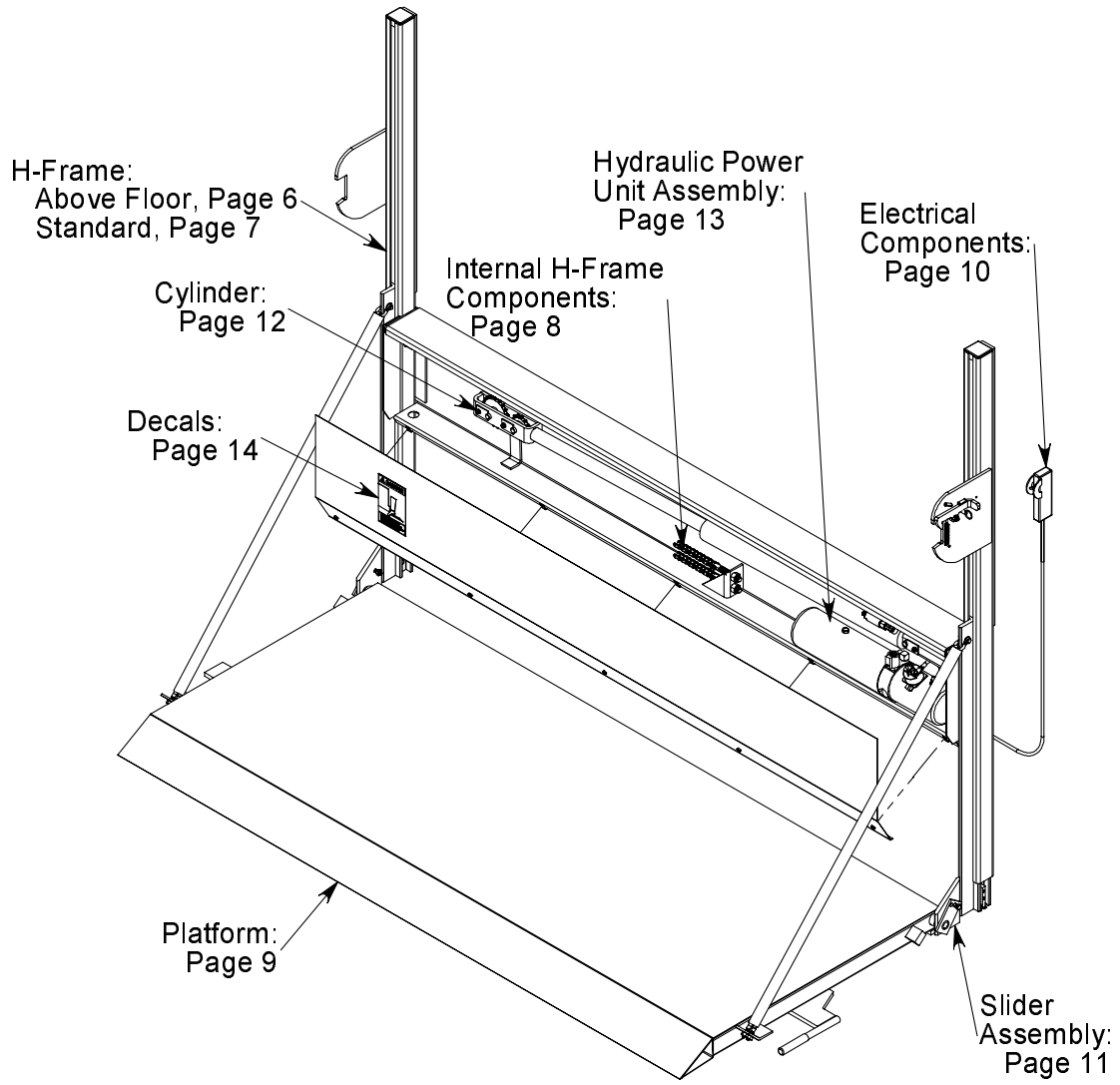
**STEP 6** Find the correct part number.

ITEM #	DESCRIPTION	ILM16	ILM20	ILM30
1	SPROCKET	20013		30007
2	PIN, SPROCKET	20016		
3	PIN RETAINER	20018		

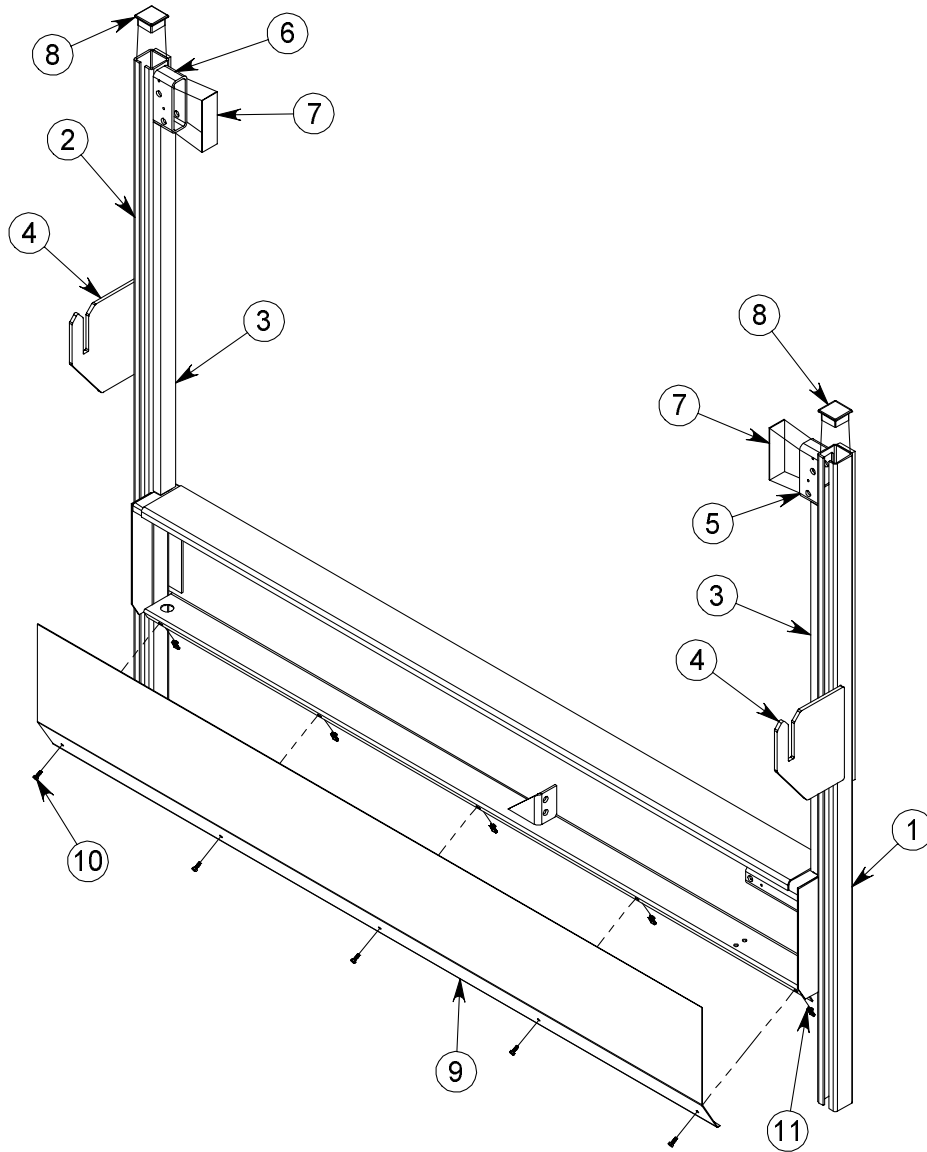
**STEP 7** Order the part

Model Number: ILM209436AF  
 Part Name: Sprocket  
 Quantity Required: 1  
 Part Number: 20013

Key Components

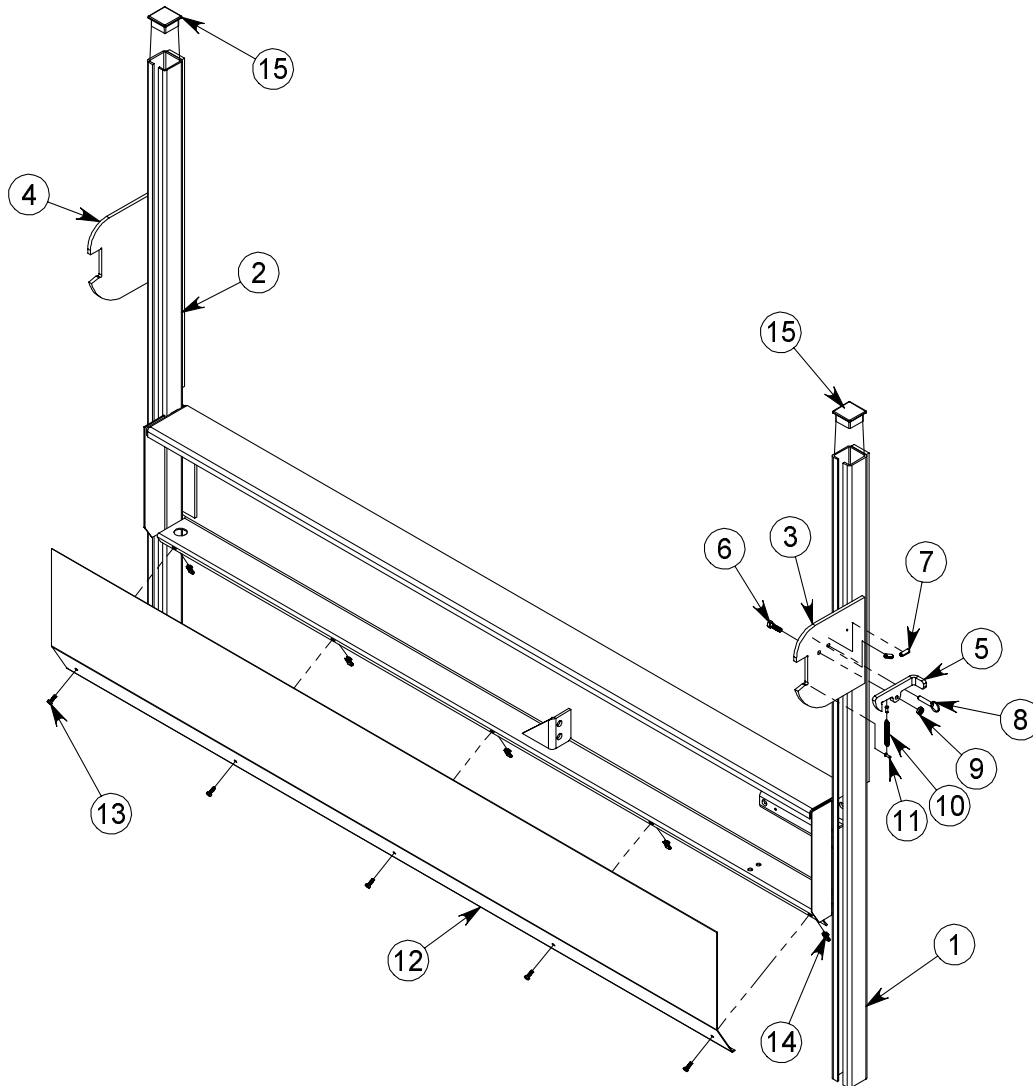


**H-Frame - Above Floor (AF)**



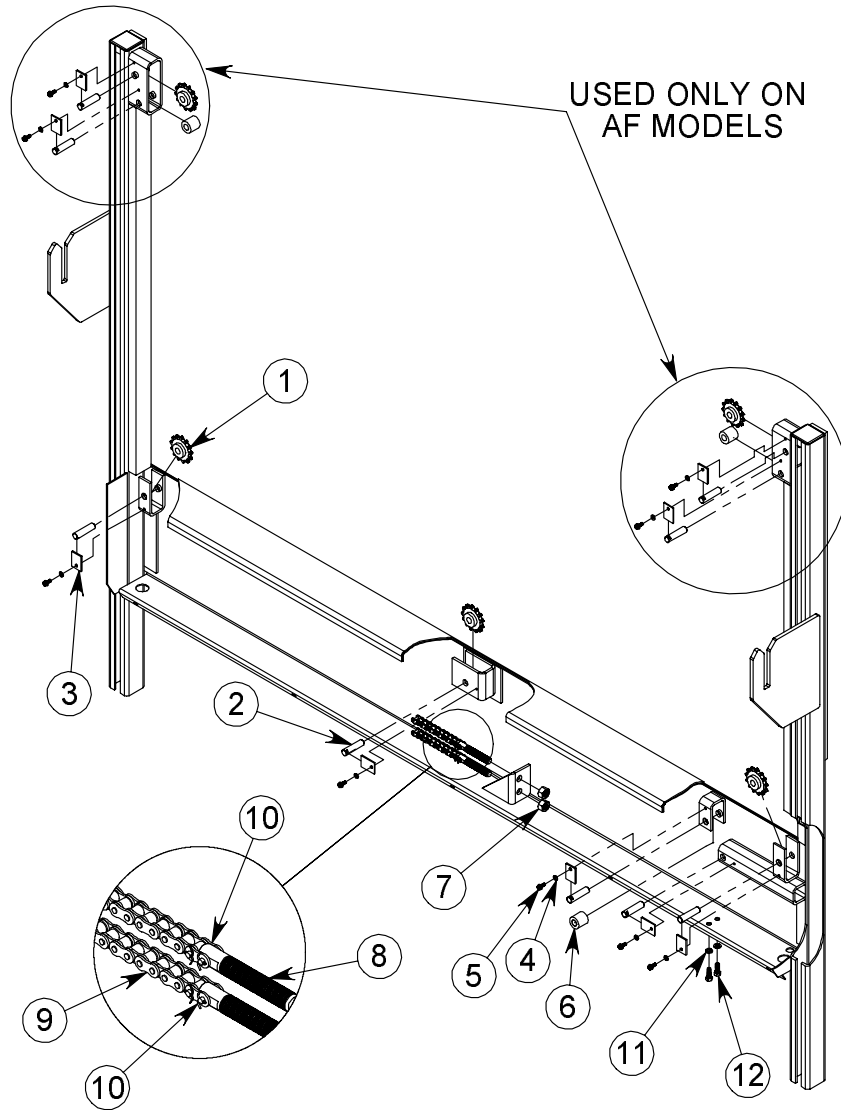
ITEM #	DESCRIPTION	ILM 1278	ILM 1294	ILM 16	ILM 20	ILM 30	QTY
	ENTIRE H-FRAME ASSY	12284	12285	16359	20369	20369	1
1	TRACK, RH			20082			1
2	TRACK, LH			20083			1
3	CHAIN COVER			16085			2
4	TRAVEL PLATE	10007			16152		2
5	SPROCKET BOX, AF, RH			20080			1
6	SPROCKET BOX, AF, LH			20081			1
7	COVER, SPROCKET BOX, AF			20079			2
8	RAIL CAP			12045			2
9	HOUSING COVER	12058			20029		1
10	BOLT			20038			5
11	TINNERMAN CLIP			20049			5

**H-Frame - Standard**



ITEM #	DESCRIPTION	ILM1278	ILM1294	ILM16	ILM20	ILM30	QTY
	ENTIRE H-FRAME ASSY	12282	12283	16358	20368	20368	1
1	TRACK, RH			20054			1
2	TRACK, LH			20055			1
3	TRAVEL PLATE ASSEMBLY, RH	10007		20048			1
4	TRAVEL PLATE, LH	10007		20051			1
5	SNAP LOCK LATCH	N/A		20039			1
6	BOLT	N/A		10085			1
7	ROLL PIN	N/A		10194			2
8	AIRCRAFT PIN	N/A		16148			1
9	NUT	N/A		20010			1
10	SPRING	N/A		20047			2
11	CLEVIS PIN	N/A		20161			2
12	HOUSING COVER	12058		20029			1
13	BOLT			20038			5
14	TINNERMAN CLIP			20049			5
15	RAIL CAP			12045			2

**Internal H-Frame Components (Including Above Floor)**



ITEM #	DESCRIPTION	ILM12	ILM16	ILM20	ILM30	QTY	
						STD	AF
1	SPROCKET, WITH BEARING		20013		30007	3	5
2	PIN, SPROCKET		20016			3/4*	8/9*
3	PIN RETAINER, SPROCKET		20018			3/4*	8/9*
4	WASHER		10256			3/4*	8/9*
5	SCREW, SELF TAPPING		10255			3/4*	8/9*
6	ROLLER, NYLON		20367			0	3
7	BOLT, CHAIN ANCHOR		20007		30003		2
8	NUT, CHAIN ANCHOR		20090				2
9	CHAIN, ROLLER		20044		30021		2
10	CHAIN, MASTER LINK		20010		30004		2
11	WASHER		10092				2
12	BOLT		20211				2

\* DL12 & DL16 / DL20 & DL30