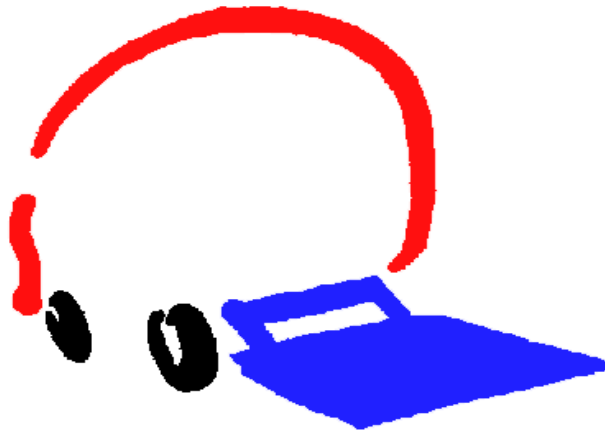




**ILP-ILFS  
PARTS BREAK DOWN**



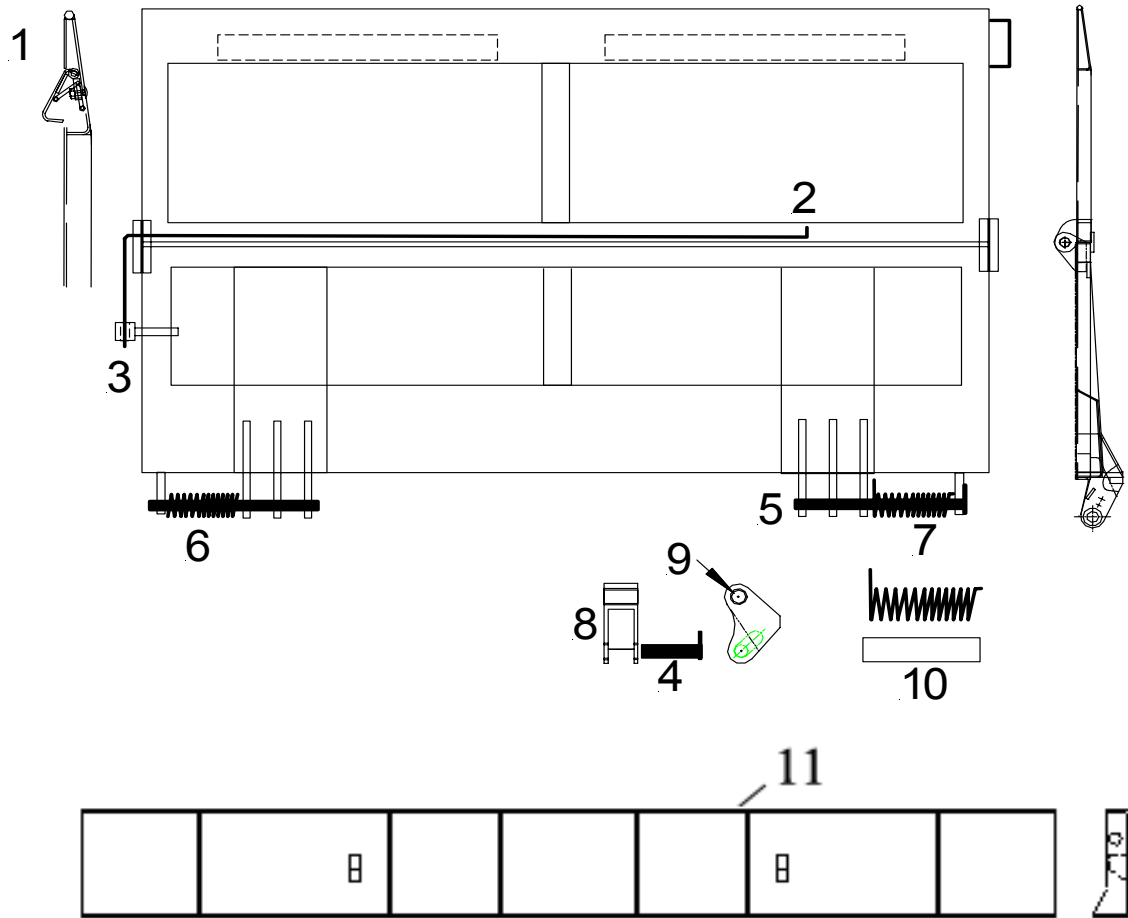
Interlift Inc. a member of MBB

15937 Piuma Ave, Cerritos, CA 90703 TEL. (562) 924-8218 Fax. (562) 924-8318

DATE: 7-31-03

REVISION: 0

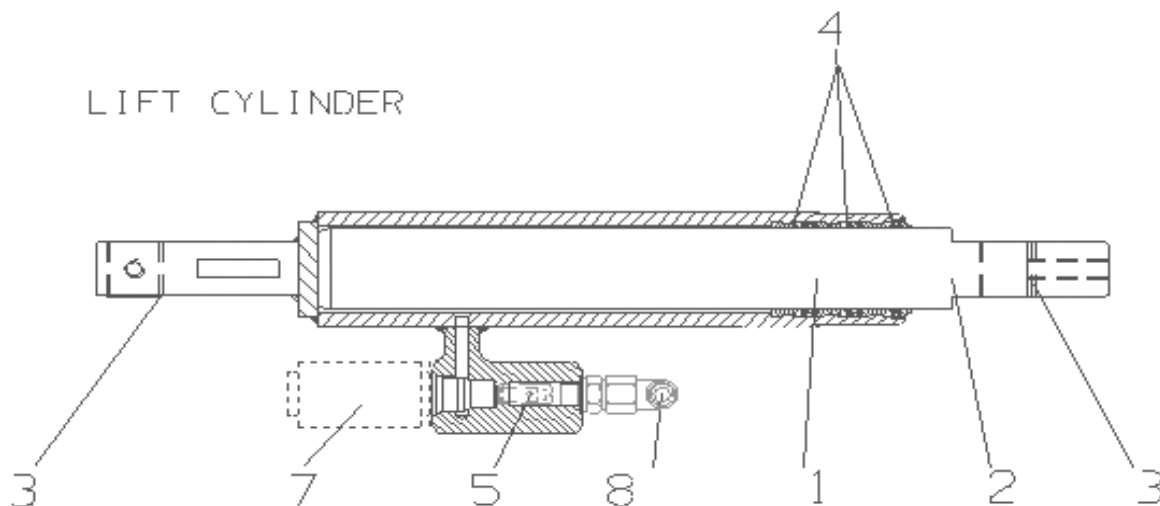
# ILP-ILFS STEEL PLATFORM



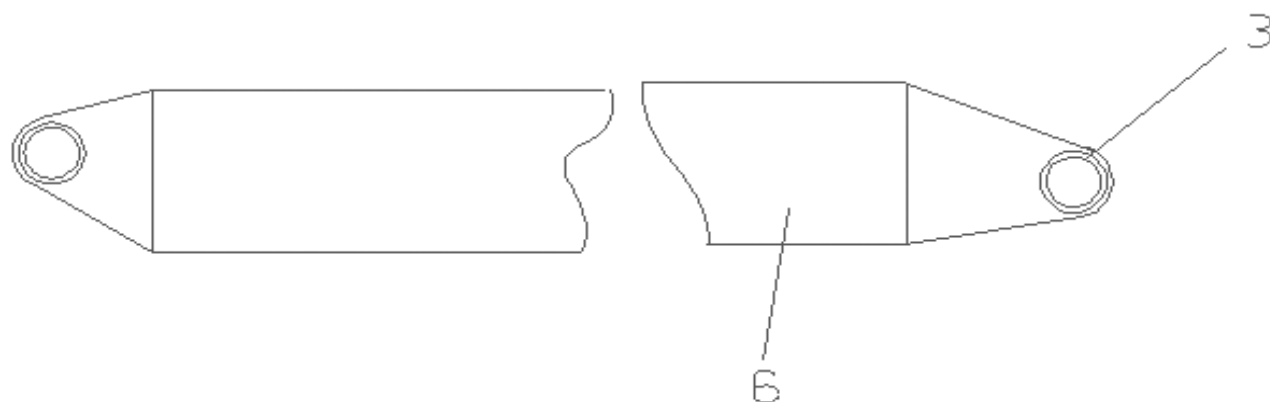
NO.	DESCRIPTION	PART NO.		
1	SPRING LOADED CART STOP (LEFT)	1-00005L		
	SPRING LOADED CART STOP (RIGHT)	1-00005R		
2	76" TORSION BAR FOR 48" PLATFORM	2-76000		
	63" TORSION BAR FOR 57" PLATFORM	2-76001		
3	TORSION BAR RETAINER	2-70000		
4	PLATFORM PIN 28x115mm	P-1227943		
5	PLATFORM PIN 28x433mm (OLD STYLE)	P-1227943		
	PLATFORM PIN 28x453mm	P-1407655		
6	COIL SPRING LEFT	P-1264857		
7	COIL SPRING RIGHT	P-1264848		
8	PIVOT BLOCK	P-1184926		
9	PIVOT BLOCK BUSHING	P-72058747		
10	TORSION SPRING NYLON BUSHING	P-1228526		
11	BED EXTENSION STRAIGHT	P-1228562		

# ILP- ILFS CYLINDER

LIFT CYLINDER

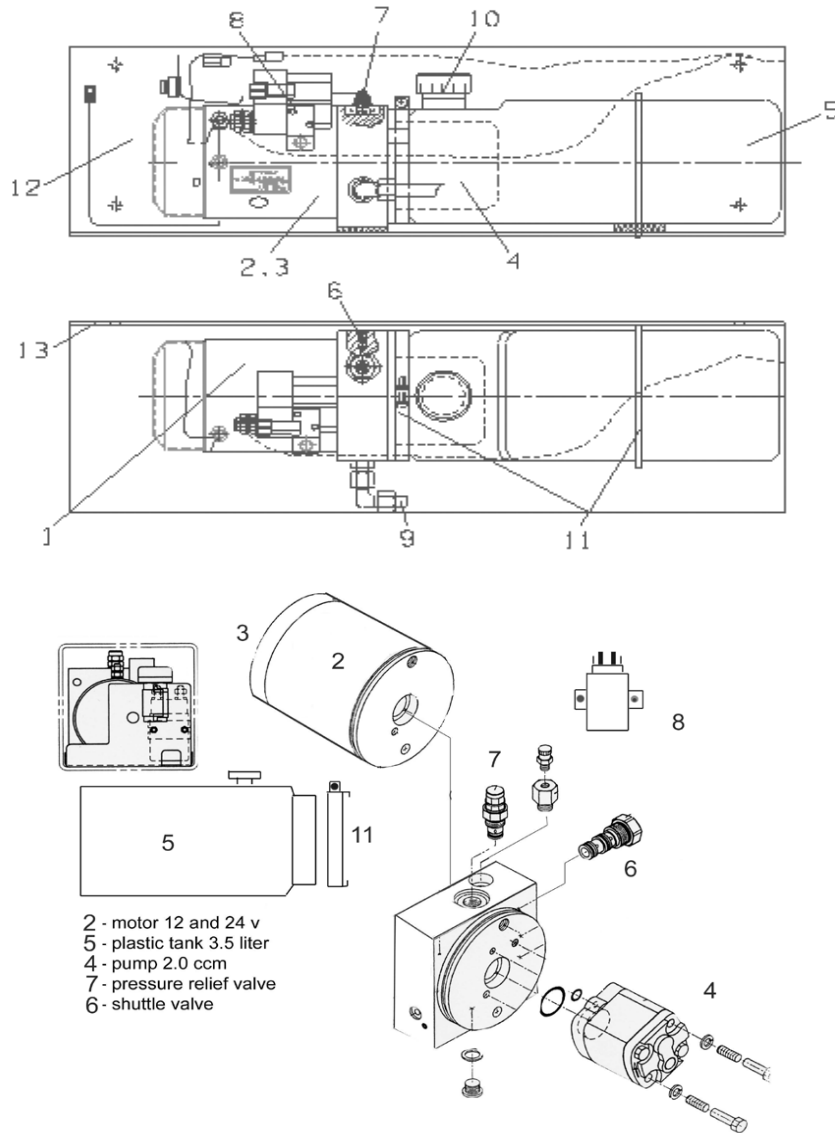


STRUT



No.	Description	Article-No.	800 Liftarm	900 Liftarm	
1	ILP & ILFS LIFT CYLINDER 63mm	1340 602			
2	PISTON ROD 63mm ILP/ILFS	1400 645			
3	BUSHING	67256 557			
4	REBUILD KIT LIFT CYLINDER 63mm	1407 784			
5	RESTRICTOR 1.0mm (No.2)	1365 484			
6	PARALLEL ARM ILFS		1252 910	1262 091	
7	RELEASE VALVE 24 volt (S1-S4)	67282 353			
	RELEASE VALVE 12 volt (S1-S4)	67282 345			
8	HYDRAULIC HOSE 850mm	70605 848			

# ILP- ILFS POWER PACK



No.	Description	FLUTEC	MBB	BOSCH			
1	POWER PACK						
	TYPE 99-538.51-00.00-00 24 VOLT	1406 371					
	TYPE 99-538.50-00.00-00 12 VOLT	1406 370	N/A	1040302			
2	MOTOR 24 VOLT	1404 309	1404482	1058500			
	MOTOR 12 VOLT	1410 332	1353555	1298264			
3	CARBON BRUSHES 24 VOLT	1404 315	1116776	1116776			
	CARBON BRUSHES 12 VOLT	1404 316	1116767	1116767			
4	PUMP 2,0cm <sup>3</sup>	1404 311	1298068	1058831			
5	OIL RESERVOIR 3,5 liter	1404 306	1362492	68812321			
6	SHUTTLE VALVE	1404 301	1298102	72335694			
7	PRESSURE CONTROL VALE	1404 297	1298111	1058760			
8	MOTOR SOLENOID 24V	1404 302	67474899	67474899			
	MOTOR SOLENOID 12V	1404 303	1320127	1320127			
9	HYD HOSE 1600mm	1016 771	1016771	1016771			
10	CAP W/FILTER ILFS	1404 487	1362518	70411490			
11	OIL RESERVOIR CLAMP SET	1404 308	1362509	1404308			
12	ILFS PUMP & MOTOR ENCLOSURE	1407 778	1050059	1050059			
13	COVER	1409 530	2-00075	2-00075			