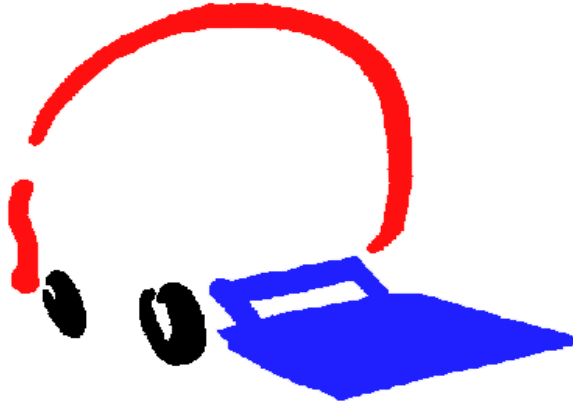




**ILQ
PARTS BREAK DOWN**



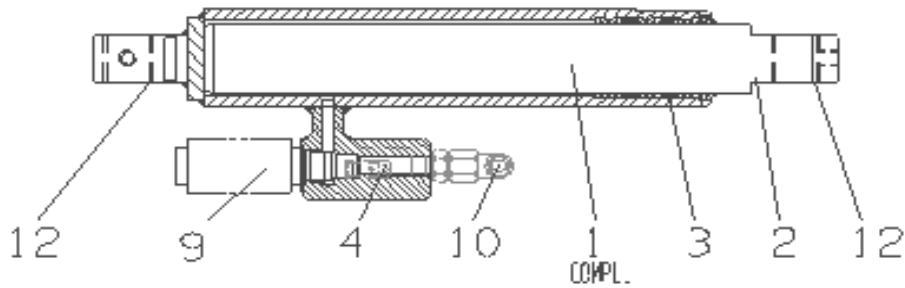
[Interlift Inc. a member of MBB](#)

15937 Piuma Ave, Cerritos, CA 90703 TEL. (562) 924-8218 Fax. (562) 924-8318

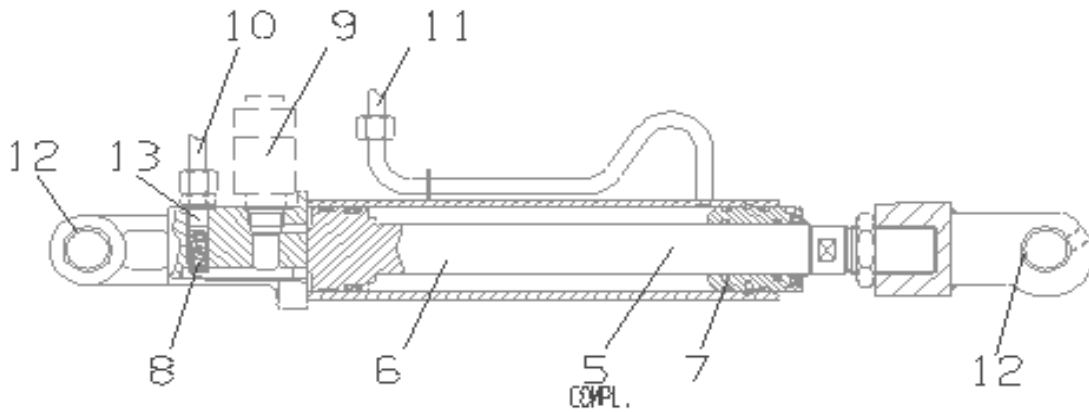
DATE: 7-31-03
REVISION: 0

ILQ CYLINDERS

LIFT CYLINDER

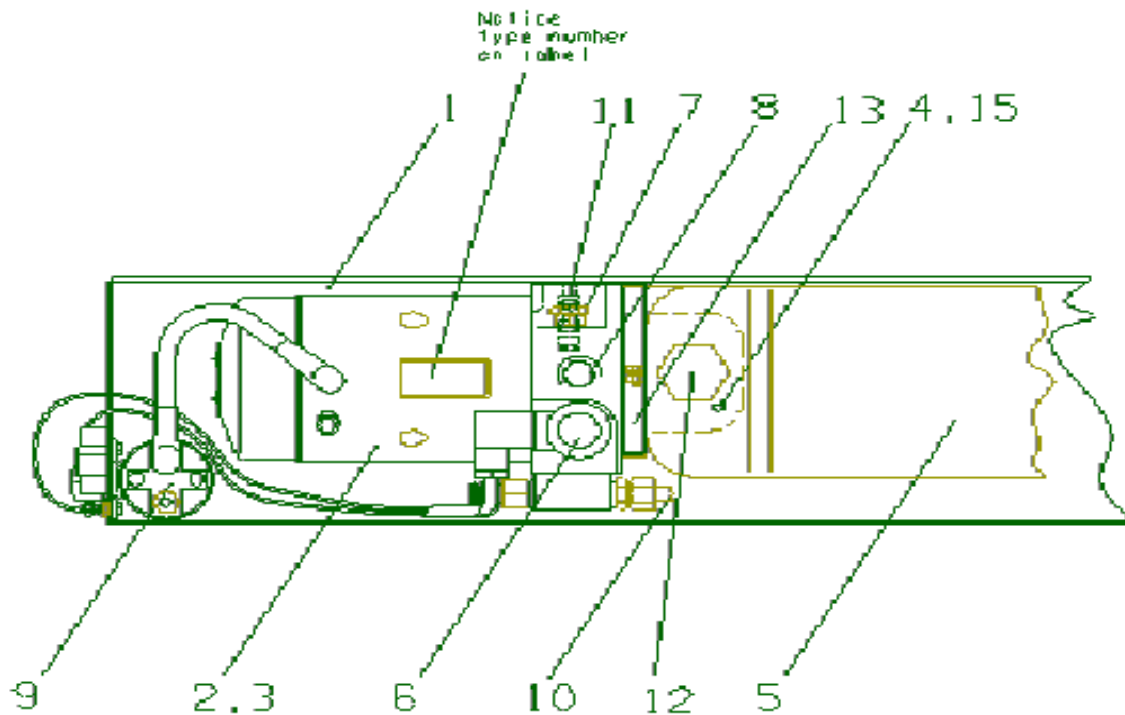


TILT CYLINDER



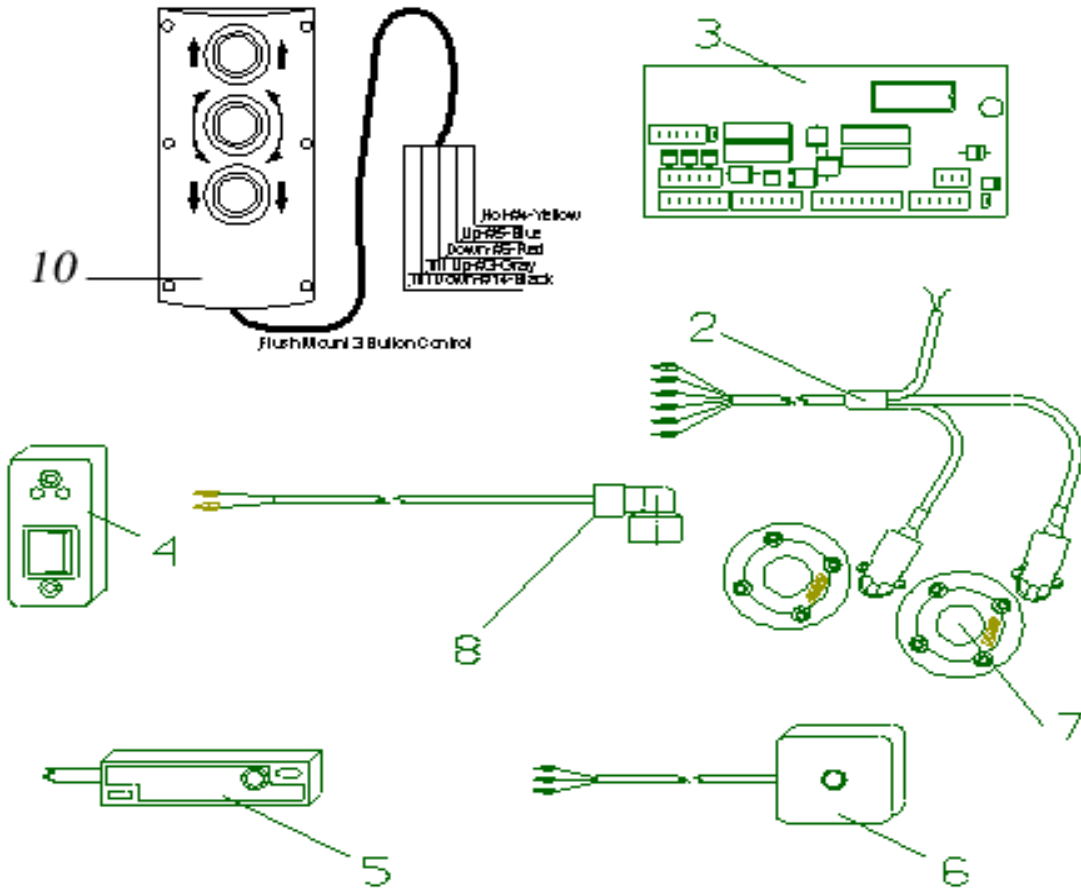
No.	Description	Article-No.			
1	Lift cylinder	1402 453			
2	Piston rod	1404 499			
3	Lift rebuild seal kit	1403 796			
4	Restrictor flow control valve (R1/R2)	1363 828			
5	Tilt cylinder (length of lift arm 700 mm)	1404 498			
6	Piston rod	71597 539			
7	Tilt rebuild seal kit	1330 683			
8	Restrictor flow control valve (R3/R4)	1325 551			
9	Release valve 24 volt (S1-S4)	67282 353			
	Release valve 12 volt (S1-S4)	67282 345			
10	Hydraulic pressure hose NW6 x 850	70605 848			
11	Hydraulic pressure hose NW6 x 750	1368 074			
12	Bushing	1403 363			
13	Adaptor 1/4 X 10L hos fitting	1188 263			

ILQ POWER PACK



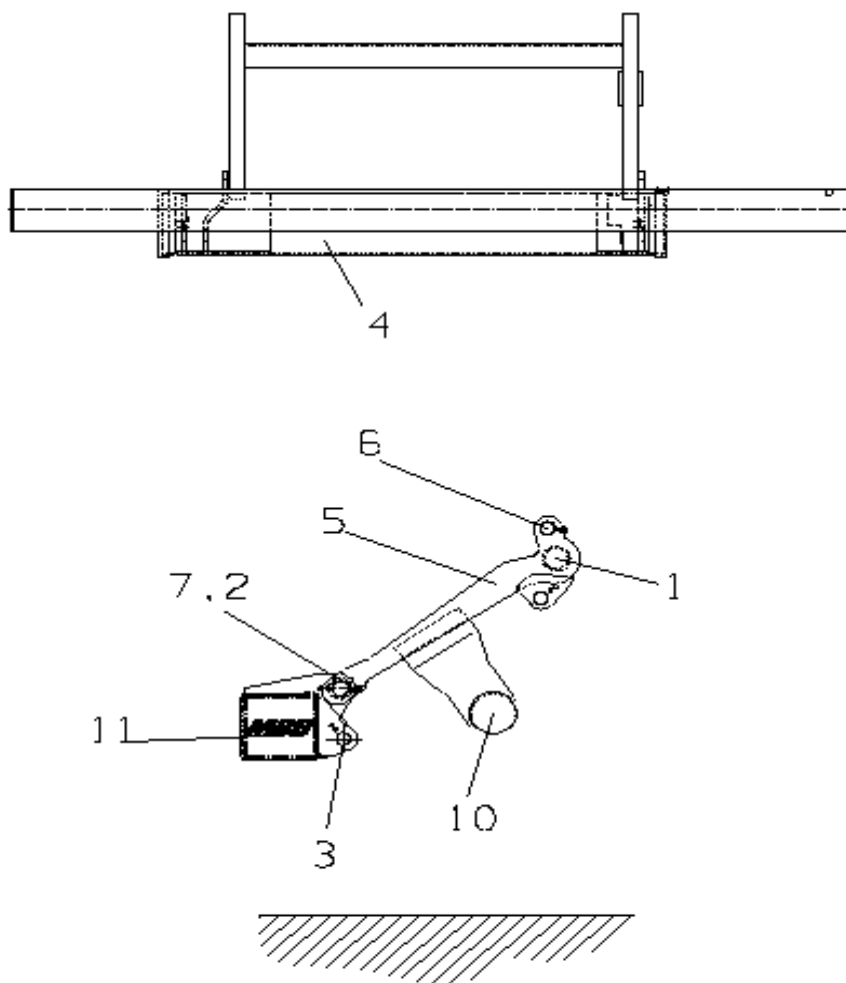
No.	Description	ILQ22			
1	Power pack				
	typ 95-569.00-00.00-00 24 volt	1406007			
	typ 95-570.00-00.00-00 12 volt	1406008			
2	Motor 24 volt	1298059			
	Motor 12 volt	1353555			
3	Carbon brush 24 volt (before 98)	1404638			
	Carbon brush 12 volt (before 98)	1116767			
	Carbon brush 24 volt (from 98)	1407398			
	Carbon brush 12 volt (from 98)	1116776			
4	Pump 1.1cm ³	1404480			
	Oil reservoir 3 liter	1362492			
6	Shift valve 24 volt (S5)	1299421			
	Shift valve 12 volt (S5)	1299412			
7	Shuttle valve/ flow divider	1298102			
8	Pressure control valve	1298111			
9	Motor solenoid 24 volt	67474899			
	Motor solenoid 12 volt	1320127			
10	Hydraulic Hose	1112885			
11	Flow control valve (R5)	1298086			
12	Cap with filter	1298040			
13	Reservoir clamp set	1362509			
14	Seal kit for power pack	1406752			
15	Filter for pump	1298022			

ILQ CONTROL SYSTEM



No.	Description	Article-No.	ILQ	750 Athlet
		1000 Athlet	quattro	quattro
1	Panel	1405 575	1405 575	1405 575
2	Foot control with cables	1404 178	1404 178	1404 178
3	PC board (in tube) 24 volt	1404 179	1404 179	1404 179
	PC board (in tube) 12 volt	1407 378	1407 378	1407 378
4	Cab cut off K - style	1332 494	1332 494	1332 494
5	Quattro B-13 Lift arm sensor	1404 177	1404 177	1404 177
6	Platform sensor B-16	1404 176	1404 176	1404 176
7	Button foot control	1405 256	1405 256	1405 256
8	Solenoid plug w/ long cable	67254 198	67254 198	67254 198
9	Electrical equipment 24 volt, compl.	1402 471	1408 104	1408 104
	Electrical equipment 12 volt, compl.	1407 428	1408 105	1408 105
10	Blue flush 3 button hand control		1404997	

ILQ LIFT GEAR



No.	Description	Article-No.		
1	Pin	1350 394		
2	Pin	1402 879		
3	Pin	1350 858		
4	Support tube	on request		
5	Lift frame	on request		
6	Bushing	1403 363		
7	Bushing	1403 362		
8	pin kit compl. for lifting gear/platform/cylinder	1407 083		
9	Bushing kit compl. for lifting gear/platform/cylinder	1407 085		
10	Cover	1290 973		
11	Mount frame cover 7x7	68483 018		