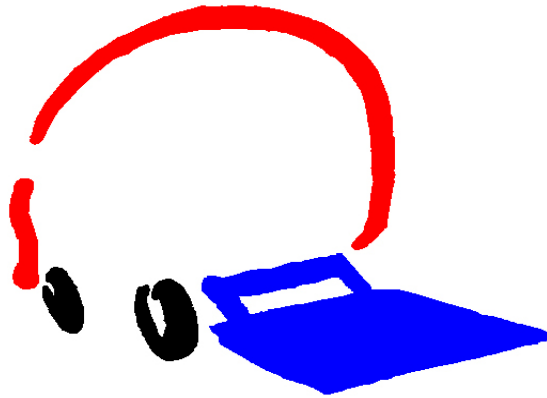




**ILR
PARTS BREAK DOWN**



[Interlift Inc. a member of MBB](#)

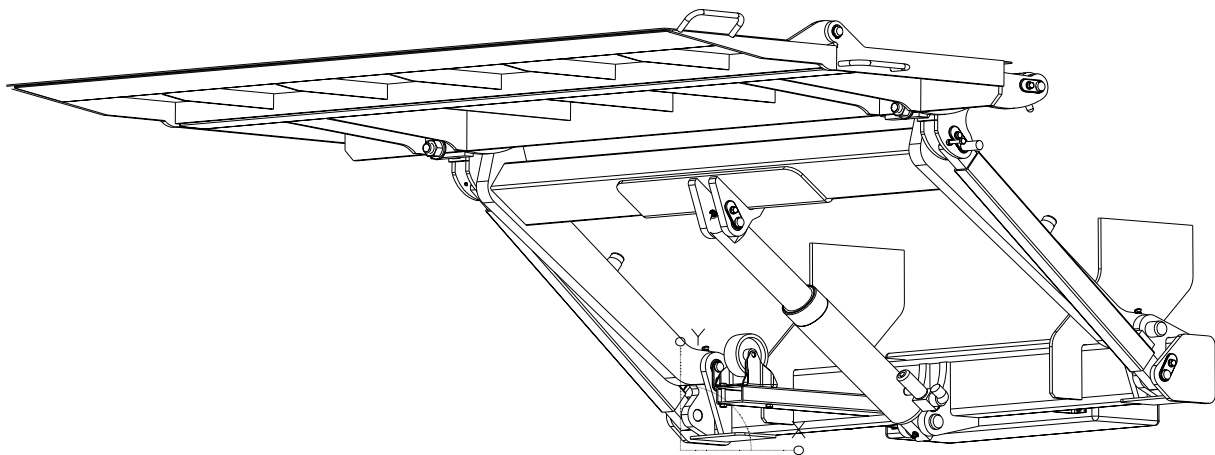
15937 Piuma Ave, Cerritos, CA 90703 TEL. (562) 924-8218 Fax. (562) 924-8318

DATE: 7-31-03

REVISION: 6-25-04

ILR SPARE PART LIST

ILR single cylinder unit

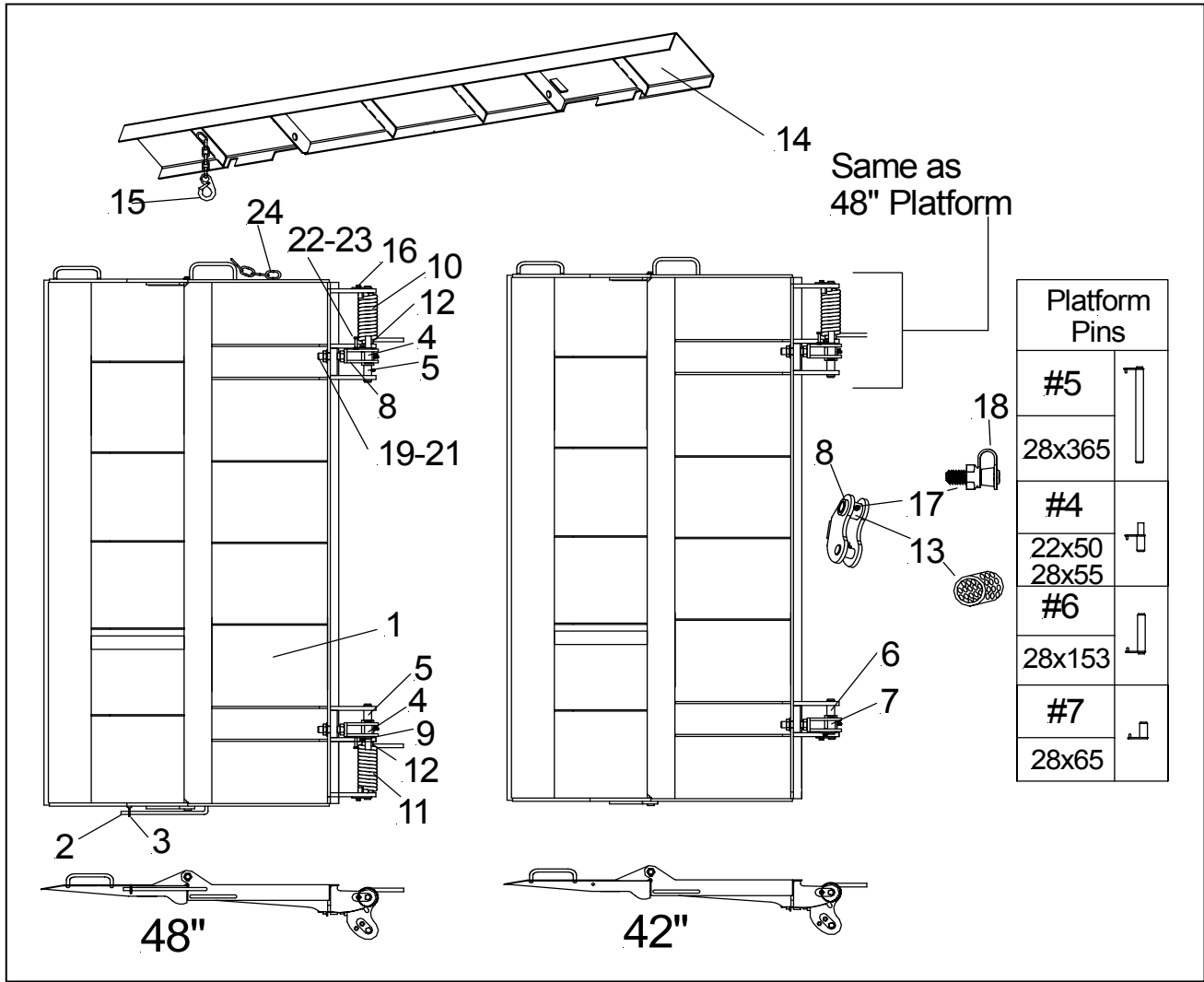


ILR PLATFORM

42"

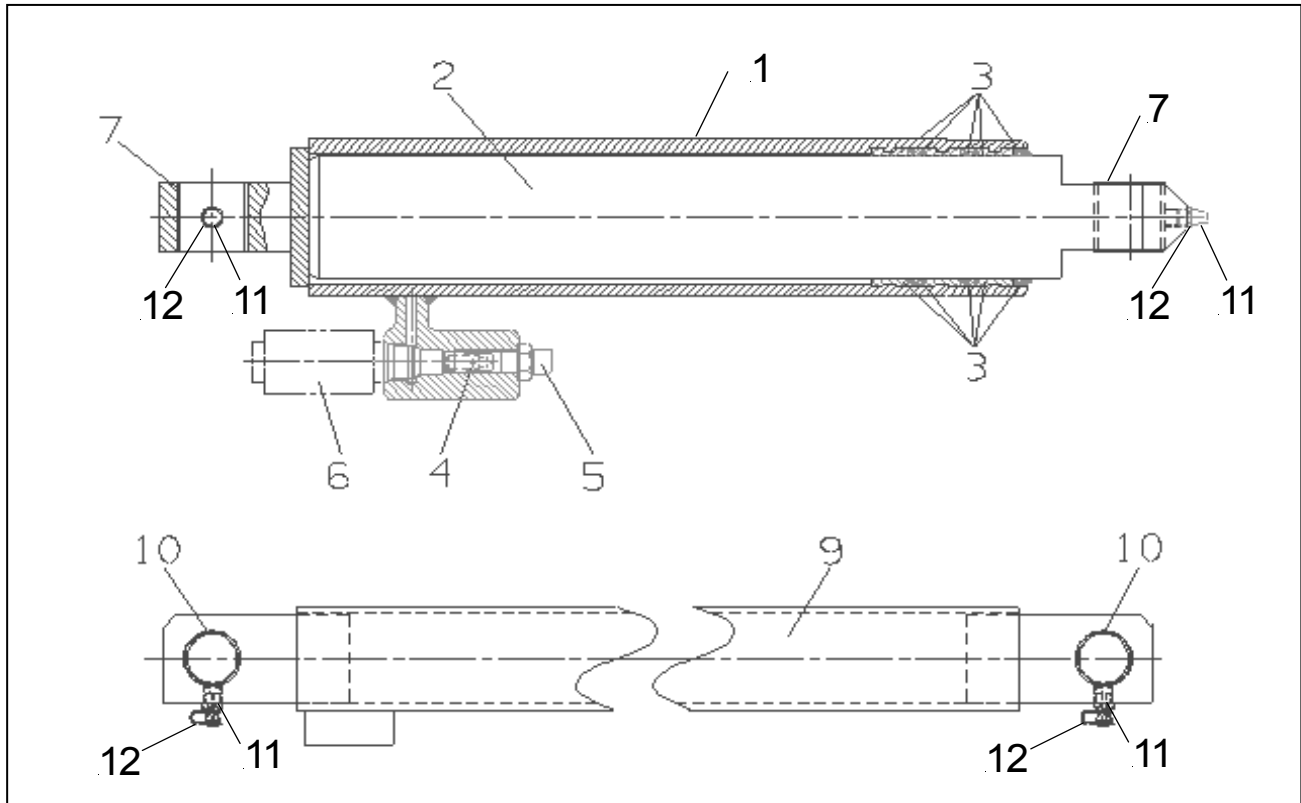
And

48"



No.	Description	Article-no.		
1	Platform	on request		
2	Torsion Rod	2-76001		
3	Torsion Rod Retainer	2-70000		
4	Pin 28x55/22x50	2003 649		
5	Pin 28x365	2003 650		
6	Pin 28x153	2003 653		
7	Pin 28x65	2003 652		
8	Shackle, Curb Side [right]	2003 685		
9	Shackle, Road Side [left]	2003 686		
10	Torsion Spring, Curb Side [right]	1264 848		
11	Torsion Spring, Road Side [left]	1264 857		
12	Tube, 40x5x195 UHMW	1275 109		
13	Bushing 32x28x31 (2 each shackle)	1403 367		
14	Bed Extension	4ILR-Extension		
15	Chain And Hook	ILR-Chain&Hook		
16	M-8 Lock Bolt	67277 937		
17	Grease Zerk	69064 337		
18	Red Cap	1191 680		
19	24mmx80mm Hex Head Bolt	2004 732		
20	24mm Hex Nut	67243 196		
21	24mm Flat Washer	68186 390		
22	8mmx50mm Hex Head Bolt	66108 368		
23	8mm Hex Nut	60820 511		
24	Platform Chain & Hook			

ILR CYLINDER AND STRUT



No.	Description	Article-no.		
1	Lift Cylinder	2004 093		
2	Piston Rod	2004 096		
3	Seal Kit	2005 093		
4	Flow Control Valve	1363 828		
5	Fitting	1232 140		
6	Release Valve 12 Volt	67282 345		
7	Bushing Ø36x40x41mm	1403 363		
9	Strut	2003 688		
10	Bushing Ø28x32x32mm	1366 230		
11	Grease Zerk	69064 337		
12	Red Cap	1191 680		