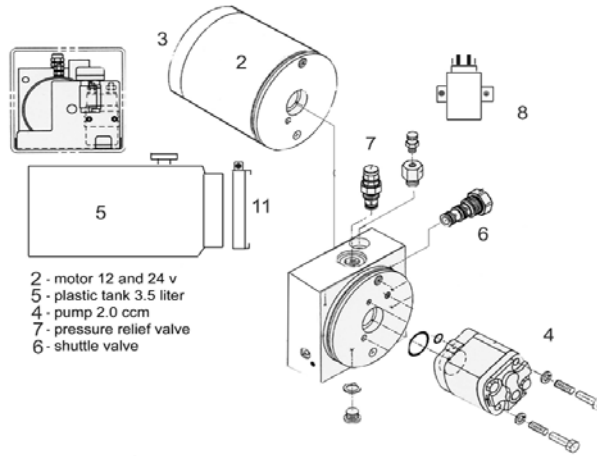
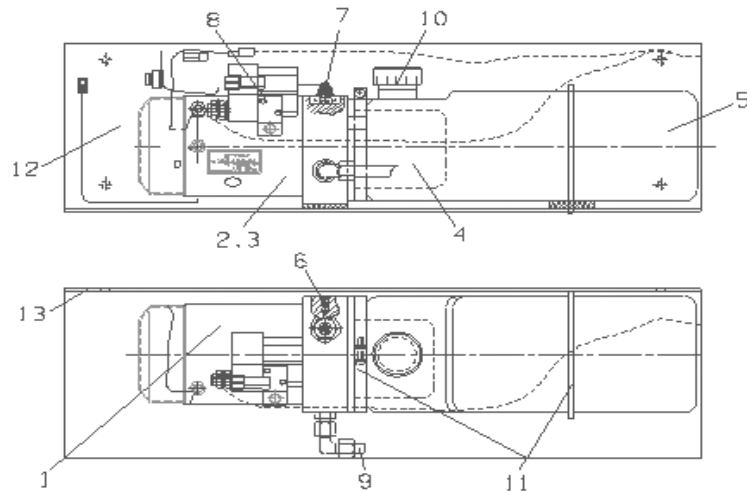


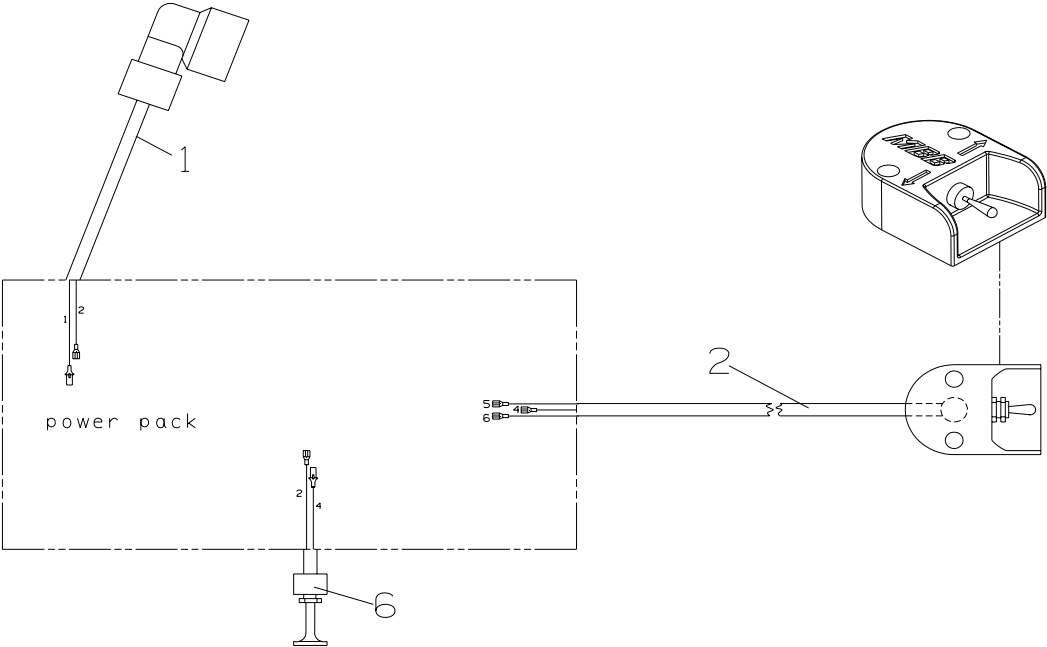
# ILR POWER PACK



- 2 - motor 12 and 24 v
- 5 - plastic tank 3.5 liter
- 4 - pump 2.0 ccm
- 7 - pressure relief valve
- 6 - shuttle valve

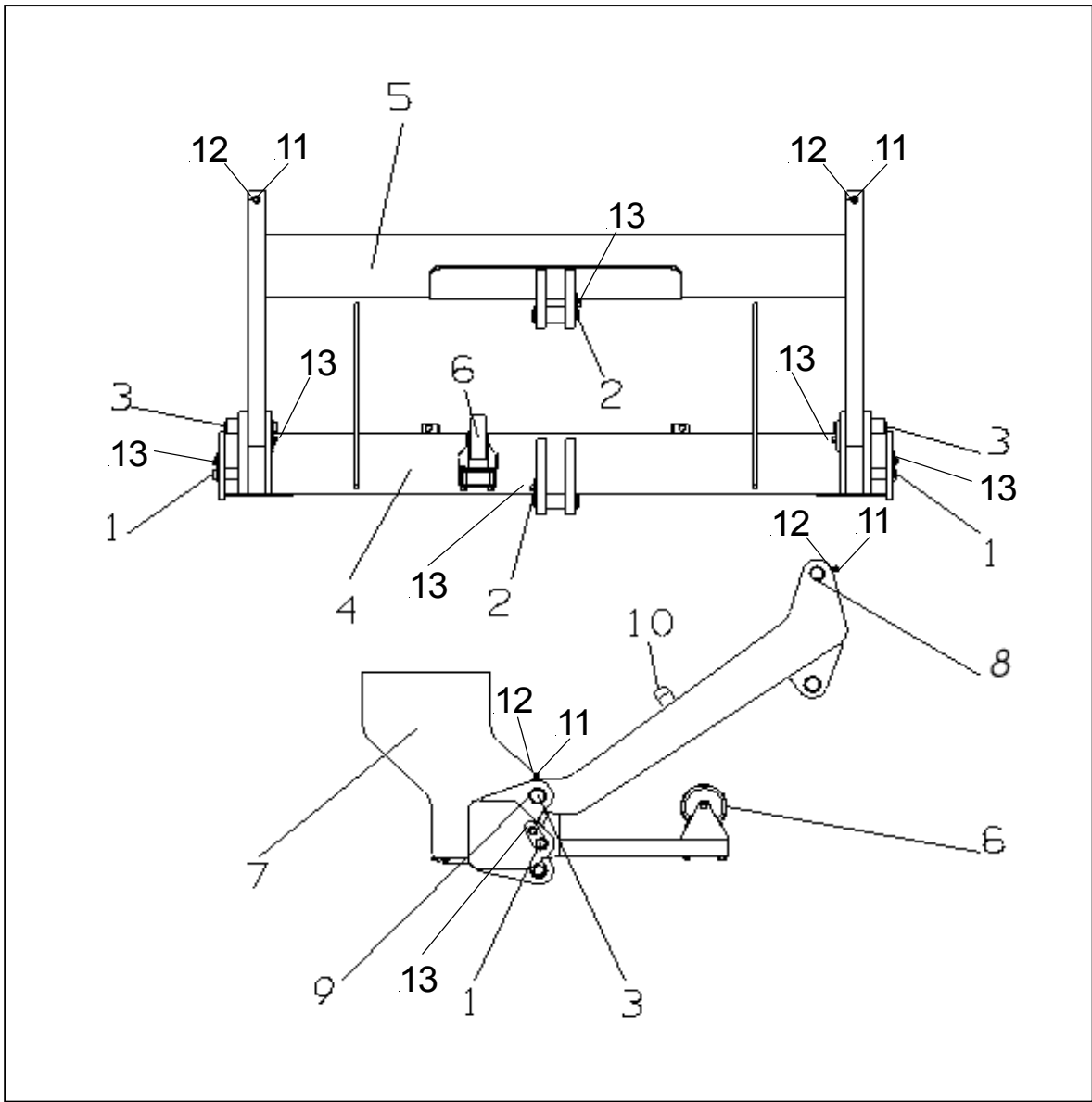
No.	Description	FLUTEC			
1	Power Pack				
	Type 99-538.51-00.00-00 24 VOLT	1406 371			
	Type 99-538.50-00.00-00 12 VOLT	1406 370			
2	Motor 24 Volt	1404 309			
	Motor 12 Volt	1410 332			
3	Carbon Brushes 24 Volt	1404 315			
	Carbon Brushes 12 Volt	1403 732			
4	Pump 2,0cm <sup>3</sup>	1404 311			
5	Oil Reservoir 3,5 liter	1404 306			
6	Shuttle Valve	1404 301			
7	Pressure Control Valve	1404 297			
8	Motor Solenoid 24 Volt	1404 302			
	Motor Solenoid 12 Volt	1404 303			
9	Hydraulic Hose 1300mm	2005 387			
10	Cap With Filter	1404 487			
11	Oil Reservoir Clamp Set	1404 308			
12	Pump And Motor Enclosure	1407 778			
13	Cover	1409 530			

# ILR CONTROL SYSTEM



No.	Description	Article-no.
1	Cable With Plug For Valve	67254 198
2	Toggle Switch	2004 565
6	Pull-Switch	1201 838

# ILR LIFT GEAR



No.	Description	Article-no.
1	Pin Ø28x74	2003 651
2	Pin Ø36x102	1407 100
3	PinØ36x115	1407 046
4	Support Tube	2003 819
5	Lift Frame	2003 827
6	Roller With Bracket	2003 774
7	Mounting Plate	2003 633
8	Bushing	1403 364
9	Bushing	1403 366
10	Rubber	1020 604
11	Grease Zerk	6906 437
12	Red Cap	1191 680
13	M-8 Lock Bolt	67277 937