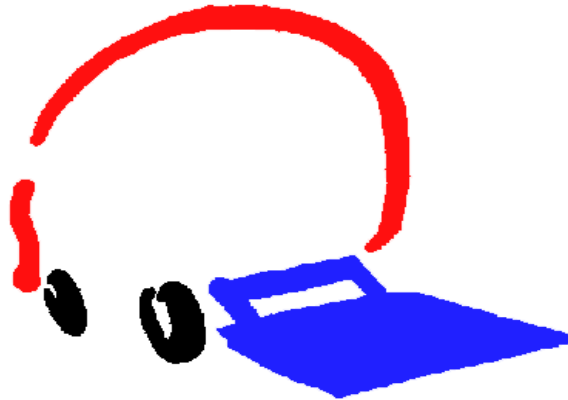




**ILUK
PARTS BREAK DOWN**



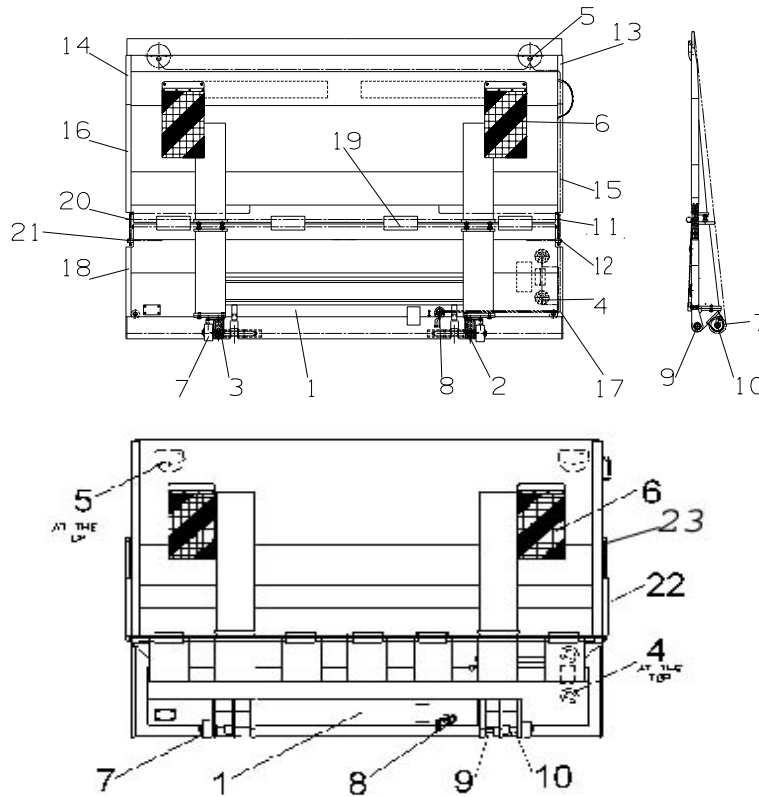
[Interlift Inc. a member of MBB](#)

15937 Piuma Ave, Cerritos, CA 90703 TEL. (562) 924-8218 Fax. (562) 924-8318

DATE: 7-31-03

REVISION: 0

ILUK PLATFORM



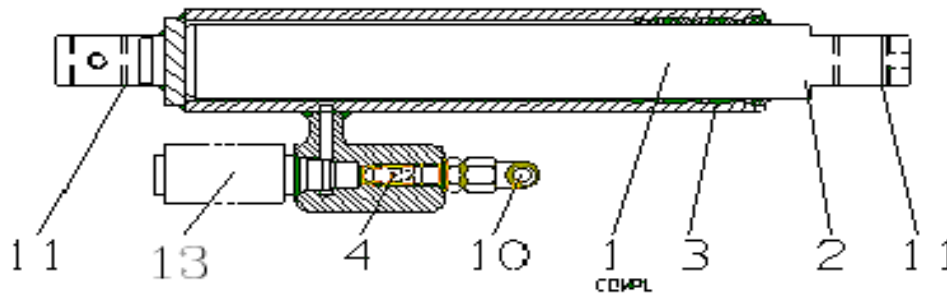
No.	Description	ILUK33	ILUK44	ILUK55	ILUK66
1	Platform (Alu/Alu) cpl.	specify dim	specify dim	specify dim	N/A
	Platform (Steel/Alu) cpl.	specify dim	specify dim	specify dim	specify dim
2	Clevis right	1407189	1404111	1404111	N/A
3	Clevis left	1407188	1404112	1404112	N/A
4	Foot control button k 2-wire	1330945	1330 945	1330 945	1330945
5	Warning lights 24 volt	1406366	1406 366	1406 366	1406366
	L.E.D. Warning lights 12 volt	1406365	1406 365	1406 365	1406365
6	Warning flags kit	1201789	1201 789	1201 789	1201789
7	Ground roller kit (one side)	1354156	1358181	1358181	1348000
8	Platform plastic cover	1336214	1336 214	1336 214	1336214
9	Pin 28x335 Alu/Alu Platform	1368163	N/A	N/A	N/A
	Pin 28x129 Steel/Alu Platform	1335280	N/A	N/A	N/A
	Pin 36x335 Alu/Alu Platform	N/A	1403072	1403072	N/A
	Pin 40x145 Steel/Alu Platform	N/A	N/A	N/A	1329586
10	Pin	N/A	N/A	N/A	N/A
11	Alu joint shaft	1408515	1408 515	1408 515	N/A
12	Steel joint shaft	N/A	1408 514	1408 514	N/A
13	Side tip profil right	1408 523	1408 523	1408 523	N/A
14	Side tip profil left	1408 524	1408 524	1408 524	N/A
15	Side profile fold section right -1110 mm	1408 522	1408 522	1408 522	N/A
16	Side profile fold section left -1110 mm	1408 521	1408 521	1408 521	N/A
17	Side profile fixed section right 600 - 800 - 1000mm long	1408 518	1408 518	1408 518	N/A
	Side profile fixed section right 500 - 700 - 900 mm long	1408 517	1408 517	1408 517	N/A
18	Side profile fixed section left 600 - 800 - 1000 mm long	1408 520	1408 520	1408 520	N/A
	Side profile fixed section left 500 - 700 - 900 mm long	1408 519	1408 519	1408 519	N/A
19	ILUK Alum. Joint platform	1408 513	1408 512	1408 512	N/A
20	Torsion spring	1408 516	1408 516	1408 516	N/A
21	Pin	N/A	1408 525	1408 525	N/A
22	Gas Spring	N/A	N/A	N/A	1402792

23 Bolt 10x50

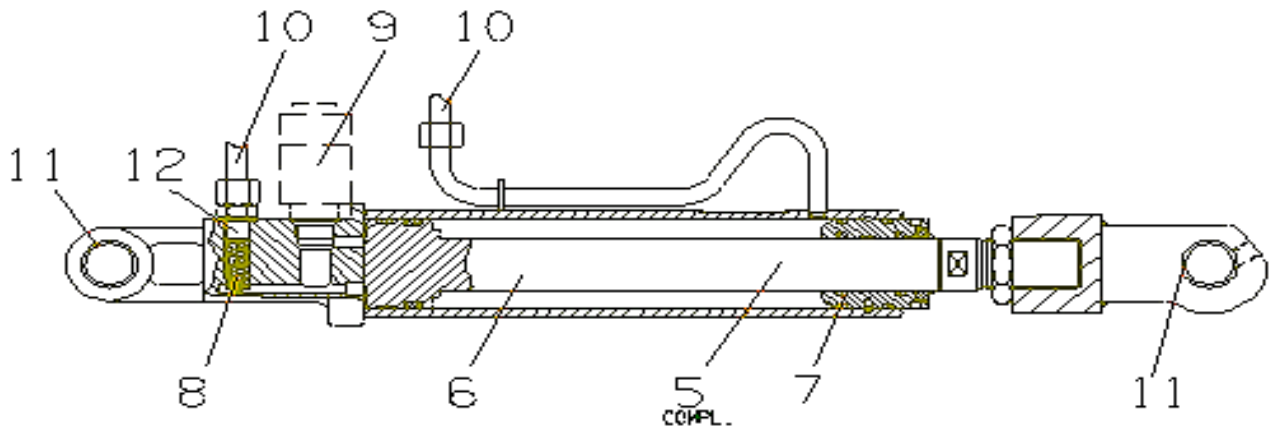
--	--	--	--

ILUK CYLINDER

LIFT CYLINDER

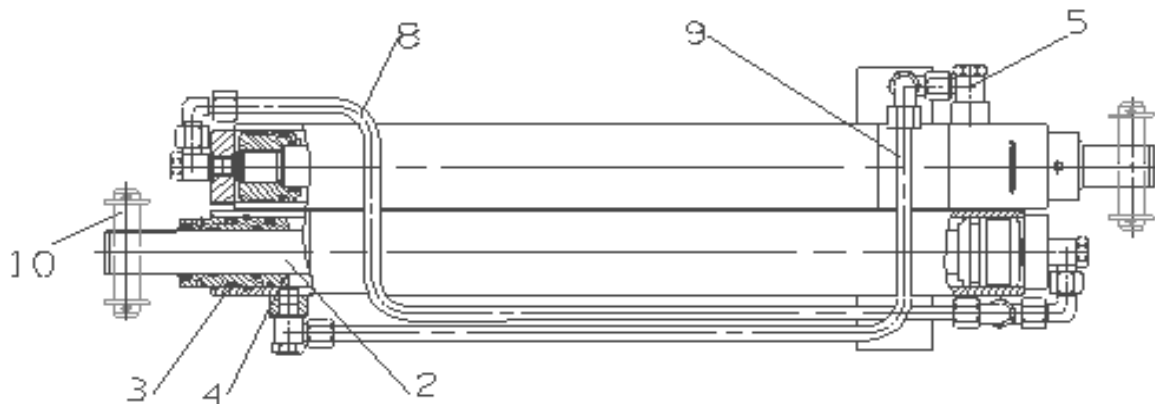
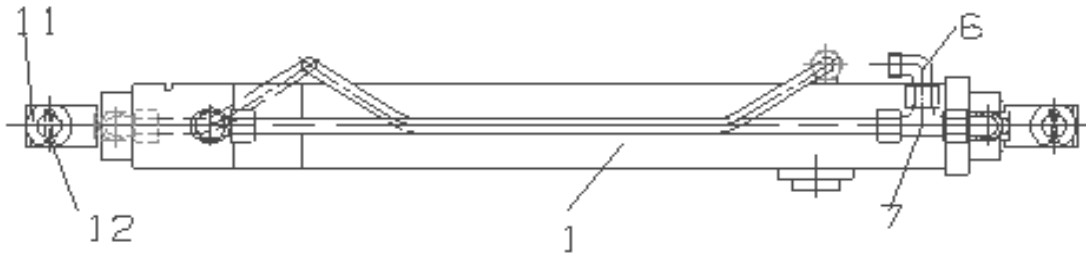


TIPT CYLINDER



No.	Description	ILUK33	ILUK44	ILUK55	ILUK66		
1	Lift cylinder	1343854	N/A	N/A	1325196		
	Lift cylinder (lift arm 700 mm)	N/A	1402453	1402453	N/A		
	Lift cylinder (lift arm 800-1100 mm)	N/A	1350167	1350167	N/A		
2	Lift cylinder piston rod	1401503	1403799	1403799	1403800		
3	Lift rebuild seal kit	1403795	1403796	1403796	1403797		
4	Restrictor valve (R1/R2)	1355942	1363828	1363828	1325551		
5	Tilt cylinder (lift arm 700 mm)	1366286	N/A	N/A	N/A		
	Tilt cylinder (lift arm 800 mm)	1366295	1403789	1403789	N/A		
	Tilt cylinder (lift arm 900 mm)	1366302	1403790	1403790	1404514		
	Tilt cylinder (lift arm 1000 mm)	N/A	1403791	1403791	1404519		
6	Tilt piston rod	68274028	71597539	71597539	1348288		
7	Tilt rebuild seal kit	1330674	1330683	1330683	1404524		
8	Restrictor valve (R3/R4)	1355942	1325551	1325551	1346112		
9	Release valve 24 volt (S3-S4)	67282353	67282353	67282353	67282353		
9	Release valve 12 volt (S3-S4)	67282345	67282345	67282345	67282345		
10	Hydraulic hose set (1set = 6pcs)	1303233	1303233	1303233	1303233		
11	Bushing	1403367	1403363	1403363	1403362		
12	Adaptor	1188263	1188263	1188263	1232140		
13	Double locking 24 volt (S1-S2)	1122041	1122041	1122041	1122041		
13	Double locking 12 volt (S1-S2)	1284466	1284466	1284466	1284466		

ILUK PUSH PULL CYLINDER w/ STEEL LINE



		2x600 mm 96-563.56-32		2x700 mm 96-563.56-33	
No.	Description	QTY.	ILUK	QTY.	ILUK
1	Cylinder, compl.	1	1407 995	1	1408 003
2	Piston rod	2	1404 764	2	1402 772
3	Push-Pull rebuild seal kit	1	1330 763	1	1330 763
4	End cap push-pull cylinder	2	1402 032	2	1402 032
5	Banjo Fitting P-P cylinder	4	1000 180	4	1000 180
6	90 Degree elbow screw	4	1232 266	4	1232 266
7	Tee Fitting EVL 10L-OMD	2	1111 075	2	1111 075
8	Pipe	1	1407 989	1	1407 998
9	Pipe	1	1407 990	1	1407 999
10	Clevis pin	2	1330 089	2	1330 089
11	Washer	4	1000 696	4	1000 696
12	Cotter pin 4x25	4	68208 661	4	68208 661