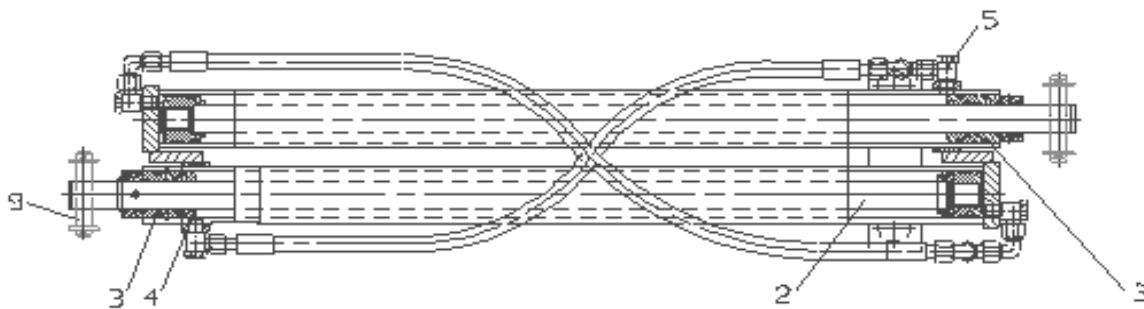
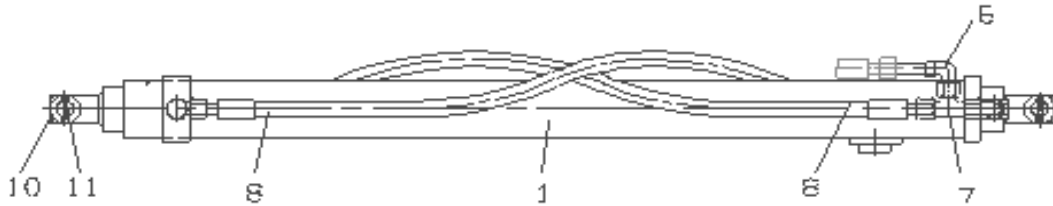
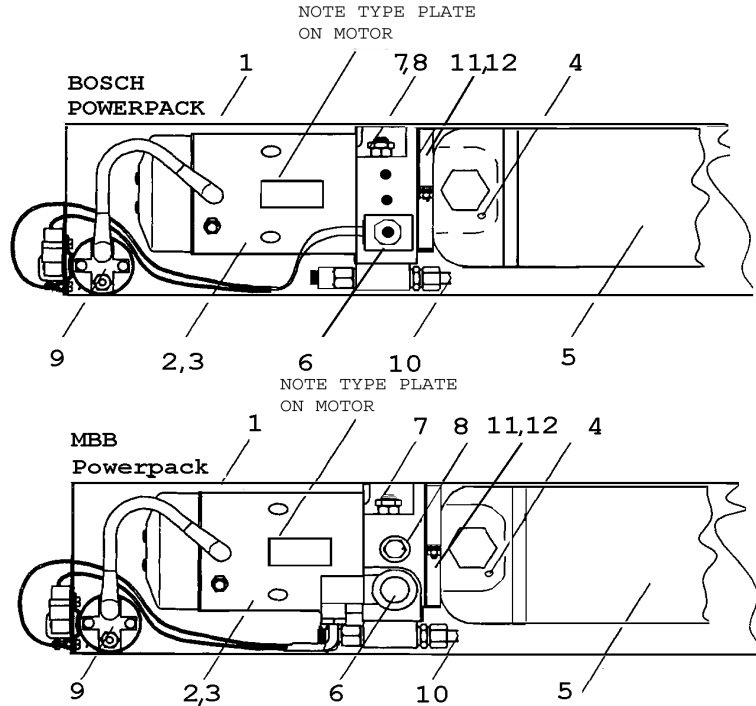


# ILUK PUSH PULL CYLINDERS w/ RUBBER LINE



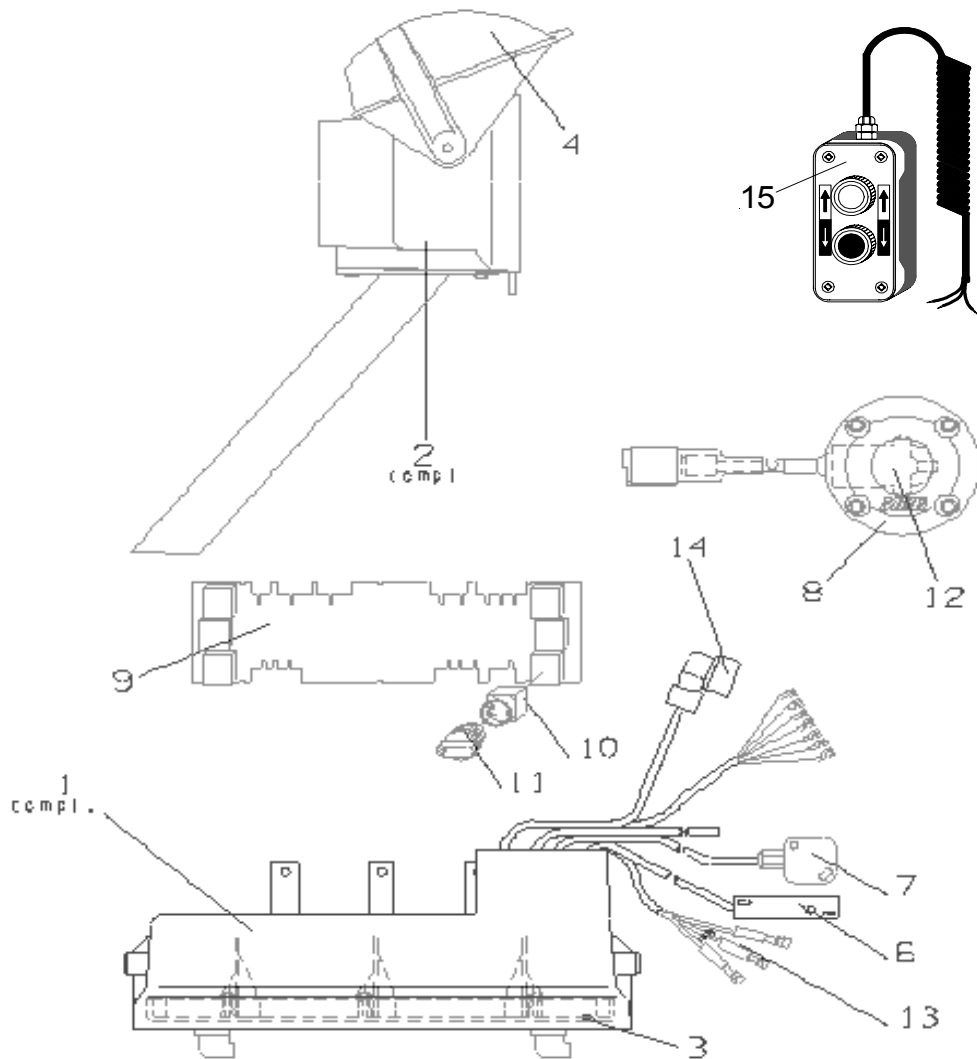
No.	Description	2x600 mm 96-563.56-11		2x700 mm 96-563.56-12	
		QTY.	ILUK	QTY.	ILUK
1	P-P Cylinder, compl.	1	1400 748	1	1402 331
2	P-P Piston rod	2	1404 764	2	1404 772
3	P-P Rebuild Seal kit	1	1330 763	1	1330 763
4	End cap push-pull cylinder	2	1402 032	2	1402 032
5	Banjo fitting push-pull cylinder	4	1000 180	4	1000 180
6	90 Degree elbow screw	4	1232 266	4	1232 266
7	Tee fitting EVL 10L	2	1111 075	2	1111 075
8	Hydraulic hose 700mm				
	Hydraulic hose 850mm	2	70605 848	2	70605 848
9	Clevis pin new (16H11x90)	2	1330 089	2	1330 089
10	Washer	4	1000 696	4	1000 696
11	Coter pin 4x25	4	68208 661	4	68208 661

# ILUK POWER PACK



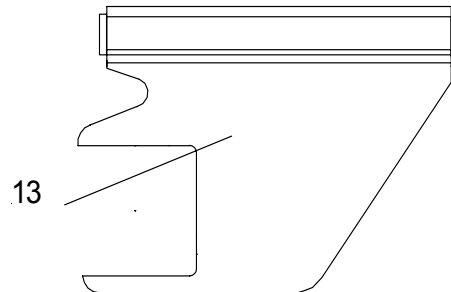
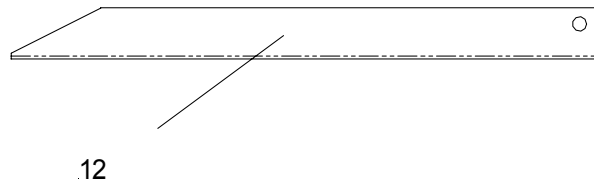
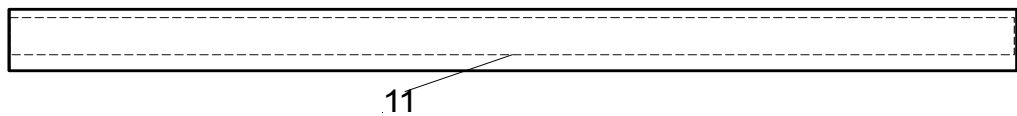
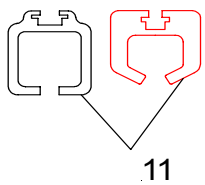
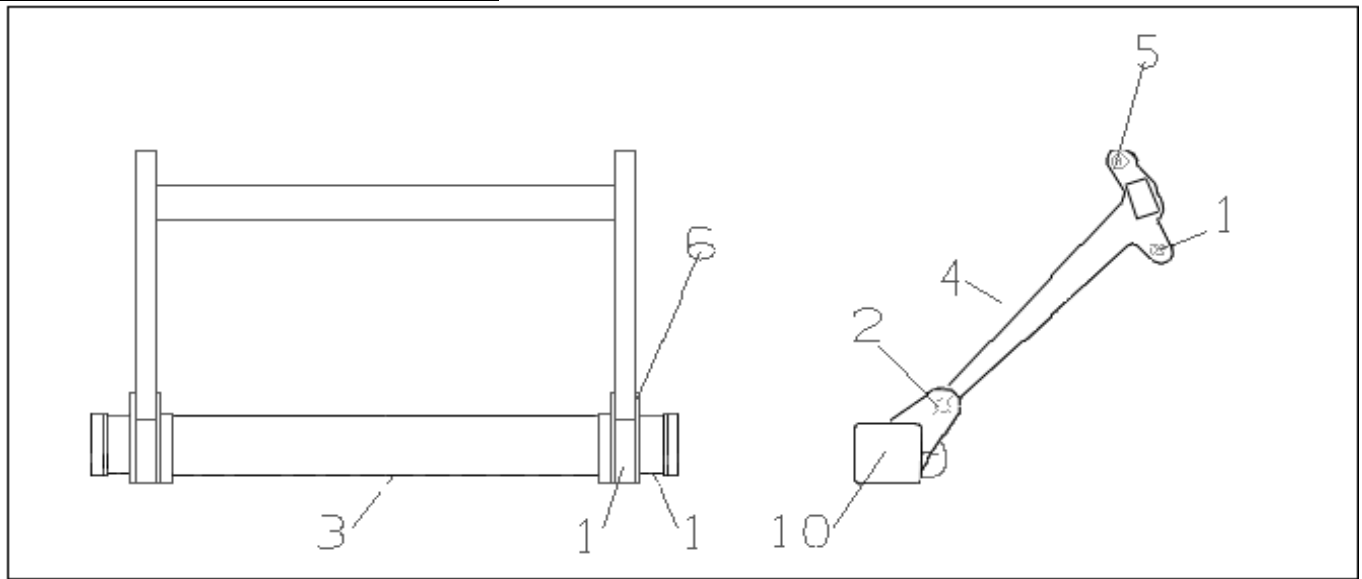
No.	Description	ILUK33	ILUK44	ILUK55	ILUK66	BOSCH
1	Power pack					before "98"
	Type 95-569.00-00.00-00 24 volt	1405999	1405999	1405999	1406011	1054682
	Type 95-570.00-00.00-00 12 volt	1406000	1406000	1406000	1406010	1016726
2	Motor 24 volt	1298059	1298059	1298059	1404482	1058500
	Motor 12 volt	1353555	1353555	1353555	1404483	1298264
3	Carbon brush 24 volt (before 98)	N/A	N/A	N/A	N/A	1117676
	Carbon brush 12 volt (before 98)	N/A	N/A	N/A	N/A	1116767
	Carbon brush 24 volt (from 98)	1407398	1407398	1407398		1117676
	Carbon brush 12 volt (from 98)	1403732	1403732	1403732	1407399	1298273
4	Pump 2.1cm <sup>3</sup>	1298068	1298068	1298068	N/A	1058831
	Pump 3.2cm <sup>3</sup>	N/A	N/A	N/A	1349471	N/A
5	Oil Reservoir 8 liter	1362483	1362483	1362483	1362483	70411296
6	Shift valve 24 volt (S5)	1299421	1299421	1299421	1299421	1058813
	Shift valve 12 volt (S5)	1299412	1299412	1299412	1299412	1058804
7	Shuttle valve	1298102	1298102	1298102	1298102	72335694
8	Pressue relief valve	1298111	1298111	1298111	1298111	1058760
9	Motor solenoid 24 volt	67474899	67474899	67474899	67474899	67474899
	Motor solenoid 12 volt	1320127	1320127	1320127	1320127	1320127
10	Hydraulic hose	1112885	1112885	1112885	1112885	1112885
11	Flow control valve (R5)	1298086	1298086	1298086	1346112	1058653
12	Cap with filter	1362518	1362518	1362518	1362518	70411490
13	Oil reservoir clamp kit	1362509	1362509	1362509	1362509	1404308
14	Seal kit for power pack	1406752	1406752	1406752	1406752	N/A
15	Pump filter	1298022	1298022	1298022	1298022	70411385

# ILUK CONTROL SYSTEM



No.	Description	ILUK	w/plug			
1	Control box w/ harness ILUK	1402766				
	Control box w/ harness ILUK (3 valve)	1410518				
2	Compl. Outer plastic box - K	1338263				
3	Cover for momentary. Turn - K	1338245				
4	Flip down lid	1319393				
6	B-13 Sensor lift arm	1332476				
7	B-15 Sensor platform	1332485				
8	Foot control button K 2-wire	1330945				
9	PC board ILUK	1332583				
10	Contact block K	1332510				
11	Momentary trun knob K	1332538				
12	Foot control button	1405256				
13	Platform cable	1342776				
14	Solenoid plug w/ long cable	67254198				
15	2 Button hand control w/ coil cord	72916816	72916816P			

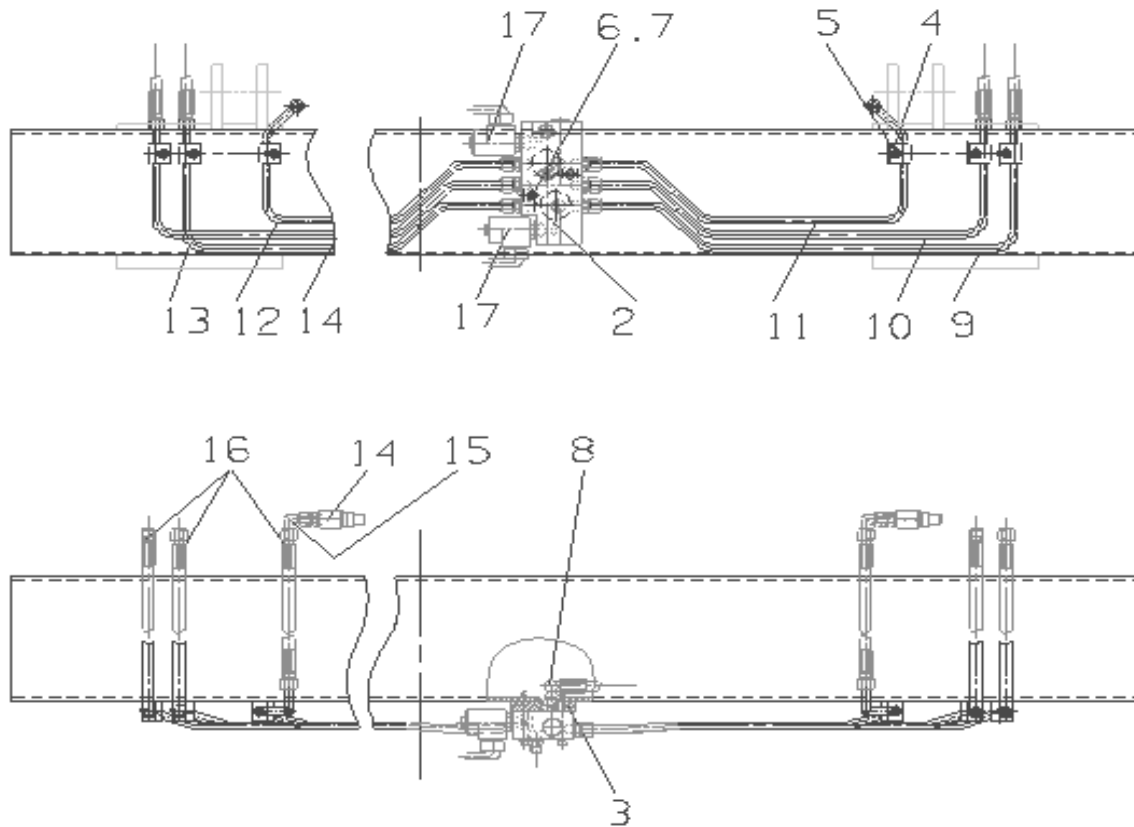
# ILUK LIFTING GEAR



No.	Description	ILUK33	ILUK44	ILUK55	ILUK66		
1	PIN 25 x 59	N/A	N/A	N/A	N/A		
	Pin 28x99	1326307	N/A	N/A	N/A		
	Pin 36x78	N/A	1350394	1350394	N/A		
	Pin 36x198 (only 700 liftarm)	N/A	1403348	1403348	N/A		
	Pin 40x85	N/A	N/A	N/A	1331371		
2	Pin 36x78	1350394	N/A	N/A	1331380		
	PIN 50x125	N/A	N/A	N/A	1331380		
	Pin 40x85	N/A	1331371	1331371	N/A		
	Support tube	on request	on request	on request			
	Lift frame	on request	on request	on request			
3	Bushing	1403364	1403363	1403363	1403362		
4	Bushing	1403366	1403362	1403362	1328605		
5	Pin kit, compl. Alu. for lifting gear/platform/cyl.	1407081	N/A	N/A	N/A		
6	Pin kit, compl. Steel for lifting gear/platform/cyl.	1407082	1407079	1407079	1407077		
7	Bushing kit, compl. for lifting gear/platform/cyl.	1407084	1407088	1407088	1407087		
8	Rubber cover 110x110	N/A	N/A	N/A	N/A		
9	Mount frame cover Alu 190x190	N/A	N/A	N/A	1403426		
10	Mount frame cover Rubber 7" x 7"	68483018	68483018	68483018	N/A		
11	Slider rail Alu tapered	1404760	1404760	1404760	N/A		
	Slider rail Alu square	2000910	2000910	2000910	N/A		
	Slider rail Steel square	N/A	N/A	N/A	1404603		

12	Push pull mount channel	1400760	1400760	1400760	1400760		
13	Mount plate Alu tapered	1404545	1404545	1404545	N/A		
	Mount plate Alu square	2000813	2000813	2000813	N/A		
	Mount plate Steel square	N/A	N/A	N/A	1400729		

# ILUK HYDRAULIC PIPES



No.	Description	ILUK33	ILUK44	ILUK55	ILUK66
1	Hydraulic pipe set without hoses	1401100	1401100	1401100	1401100
2	Alu valve block	1309422	1309422	1309422	1309422
3	Rubber	1114049	1114049	1114049	1114049
4	Green Plastic holder [2 parts]	1108532	1108532	1108532	1108532
5	Bolt	66310671	66310671	66310671	66310671
6	Bolt	66107728	66107728	66107728	66107728
7	Lock washer	10274275	10274275	10274275	10274275
8	Hydraulic hose inside NW6x2000/1x90 1ea.	1112885	1112885	1112885	1112885
9	Lower driver side hyd. Pipe	1129943	1129943	1129943	1129943
10	Med. driver side hyd. pipe	1129952	1129952	1129952	1129952
11	Top driver side hyd. pipe	1129961	1129961	1129961	1129961
12	Top curb side hyd. Pipe	1129970	1129970	1129970	1129970
13	Lower curb side hyd. Pipe	1129989	1129989	1129989	1129989
14	Med. Curb side hyd. pipe	1129998	1129998	1129998	1129998
15	90° Elbow screw	1232266	1232266	1232266	1232266
16	Hydraulic hose set 6x850 6pieces	1303233	1303233	1303233	1303233
17	Release valve 12 Volt	67282345	67282345	67282345	67282345
	Release valve 24 Volt	67282353	67282353	67282353	67282353