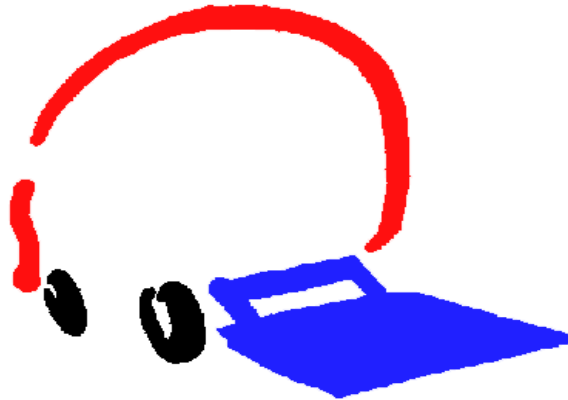




**ILV
PARTS BREAK DOWN**



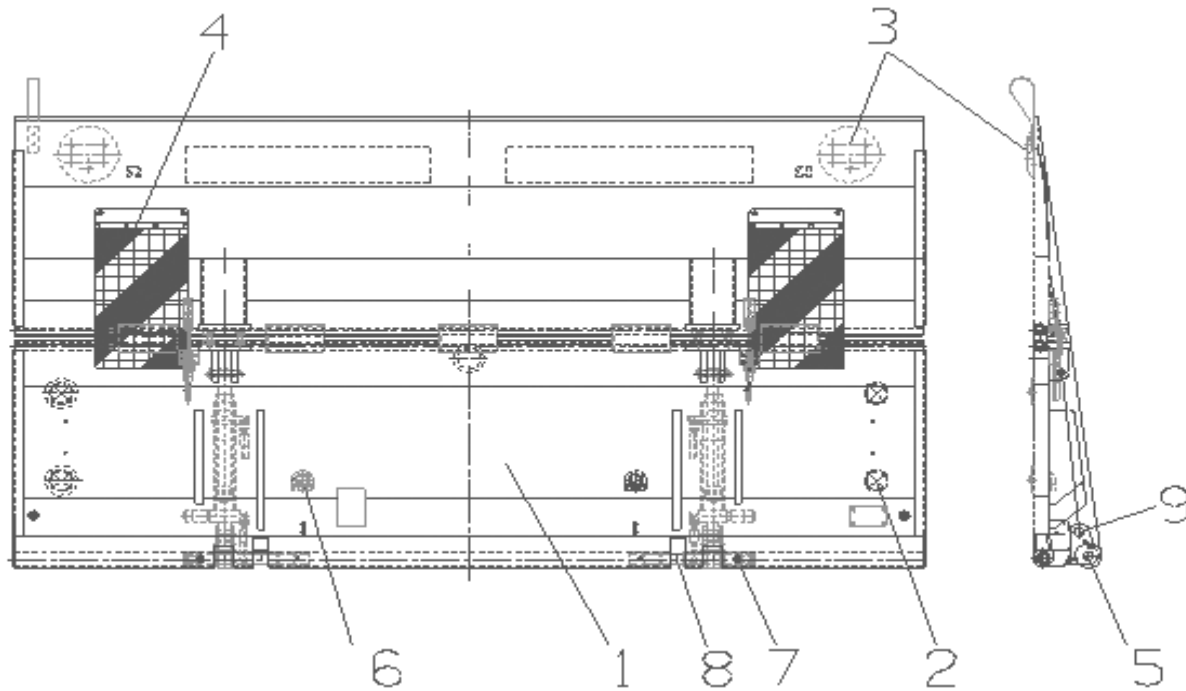
[Interlift Inc. a member of MBB](#)

15937 Piuma Ave, Cerritos, CA 90703 TEL. (562) 924-8218 Fax. (562) 924-8318

DATE: 7-31-03

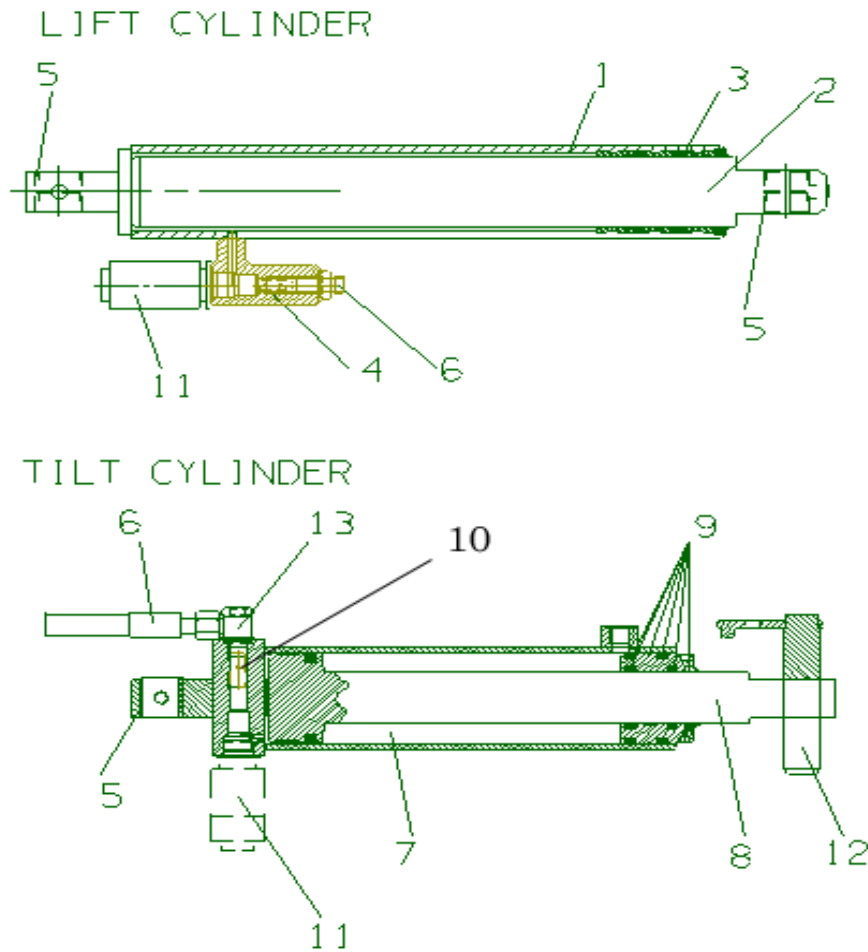
REVISION: 0

ILV PLATFORM



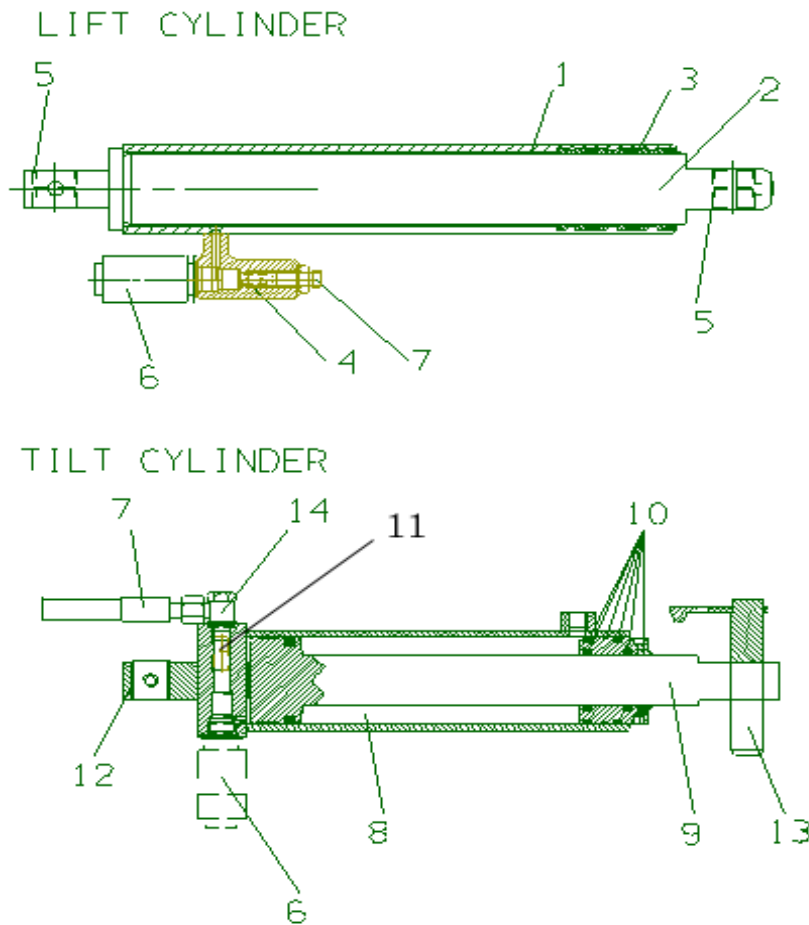
No.	Description	ILV 33	ILV 44	ILV 55
1	Platform (Steel/alu)	On Request	On Request	On Request
2	Foot control button K 2-wire	1330 945	1330 945	1330 945
3	Warning lights 24 Volt	1068 391	1068 391	1068 391
	Warning lights 12 Volt	1078 771	1078 771	1078 771
4	Warning flags kit	1201 789	1201 789	1201789
5	Ground rollers (one Side)	1405 023	N/A	N/A
	Ground rollers (one side) kit	1354 156	1358181	1358181
6	Platform plastic protective cover	1336 214	1336214	1336214
7	Pin 28 x 89mm	1326 307	N/A	N/A
	Pin 36 x 245mm	N/A	1408315	1408315
8	Pin 28 x 335mm	1368 163	N/A	N/A
	Pin 36 x 254mm	N/A	1408316	1408316
9	Pin 25 x 59mm	1346 229	N/A	N/A
	Pin 28 x 99mm		1326307	1326307

ILV 22 CYLINDERS



No.	Description	ILV		
1	lift cylinder	1346 953		
2	piston rod	1346 917		
3	Lift rebuild seal kit	1400 655		
4	Restrictor 1.1mm (No.1) (R1/R2)	1355 899		
5	Bushing 29/25 X 31	1403 365		
6	Hydraulic hose set	1303 233		
7	Tilt cylinder compl.	1410 426		
8	Piston rod	1410 431		
9	Seal kit	1408 753		
10	Restrictor 1.5mm (No.3) (R3/R4)	1355 942		
11	Release valve 24 Volt (S1-S4)	67282 353		
	Release valve 12 Volt (S1-S4)	67282 345		
12	Pin	1346 238		
13	Banjo fitting	1000 180		

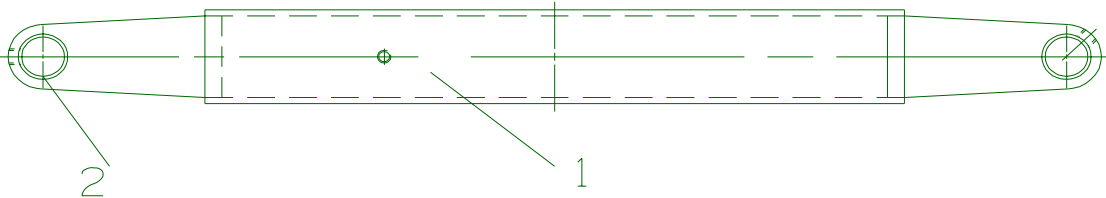
ILV CYLINDER 33



No.	Description	Article-No.	
1	Lift cylinder ILK33 55mm	1343 854	
2	Lift piston rod	1401 503	
3	Lift rebuild seal kit	1403 795	
4	Restrictor flow control valve (R1/R2)	1355 942	
5	Bushing 32/28 X 31	1403 367	
6	Release valve 24 Volt (S1-S4)	67282 353	
	Release valve 12 Volt (S1-S4)	67282 345	
7	Hydraulic hose set NW6 x 850 (1 full set =6 pieces)	1303 233	
8	Tilt cylinder compl.	1410 426	
9	Piston rod	1410 431	
10	Tilt rebuild seal kit	1330 674	
11	Restrictor 1.5mm (No.3) (R3/R4)	1355 942	
12	Bushing 29/25 X 31	1403 365	
13	Pin	1346 238	
14	BANJO FITTING	1000 180	

ILV STRUT

STRUT



No.	Description	ILV22	ILV33	
1	strut	1406 085	1406 810	
2	bush	1403 365	1403 367	