

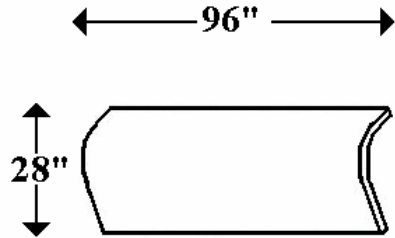
**Marathon/
Metro/
Satellite
Body Parts
Quick
Reference
Guide**

Notes:

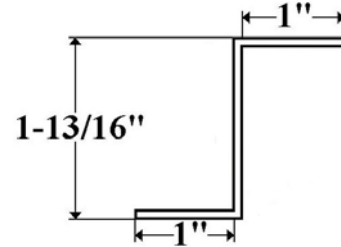
DISCLAIMER

USE OF OEM OR MANUFACTURERS' NAME AND/OR PART NUMBERS IS FOR IDENTIFICATION PURPOSES AND SIMPLIFICATION ONLY AND IN NO WAY IS MEANT TO IMPLY THAT FLEET PARTS' ITEMS ARE AUTHORIZED OR IN ANY WAY AFFILIATED WITH THOSE MANUFACTURERS.

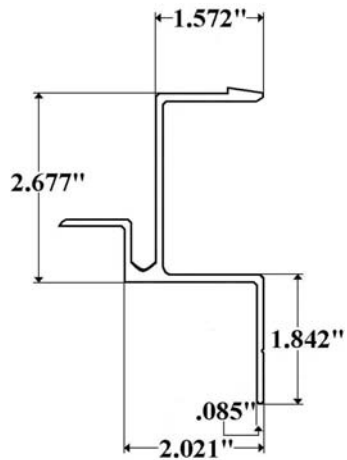
**Part 3912W (White)- Marathon
Roof Radius**



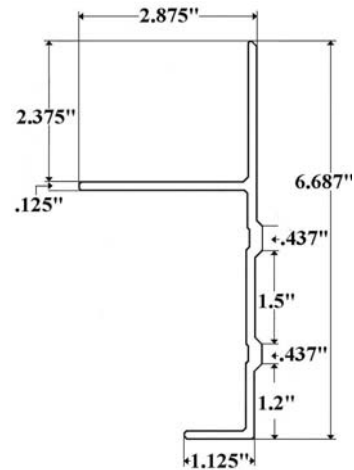
**Part 932-2E- Marathon Steel Z Post
1-13/16" X 107-7/8" Punched**



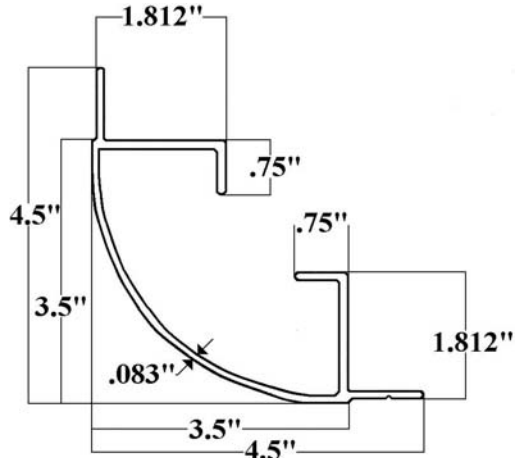
Part 9902- Marathon Top Rail



Part 9903F- Marathon Bottom Rail



**Part 9910E (108")- Marathon
Front Corner Post**



**Part FP9900AF- Marathon Rear
Corner Cap**



**Part FP9900L- Marathon
Left/Front Corner Cap**



**Part FP9900R- Marathon
Right/Front Corner Cap**



**Part FP9950L- Marathon
Left/Front Corner Cap *New Style***

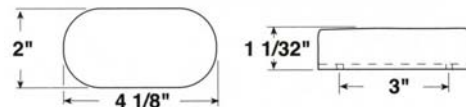
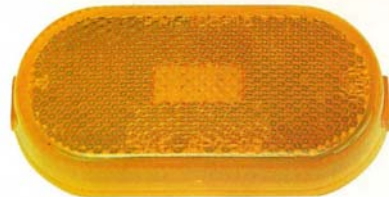


**Part FP9950R- Marathon
Right/Front Corner Cap *New Style***

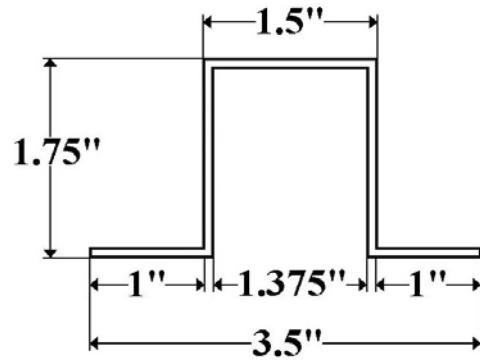


Note: FP9950R and FP9950L use the
Marker Light Part PM108A.

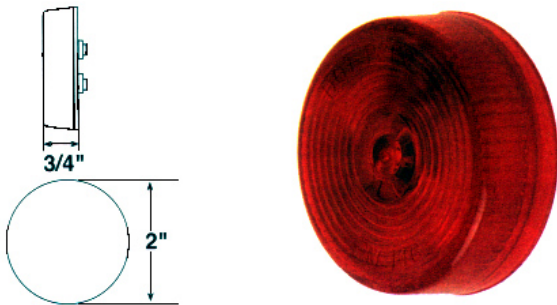
**Part PM108A (Amber)
Part PM108R (Red)
Marker Light**



**Part S9922- Marathon Steel Hat
Roof Bow
1-3/4" X 98-7/8"**



**Part VSM1030A & R-
2" Sealed Lamp**



**Part VSM9239-
Mount Kit for 2" Sealed Lamp**

