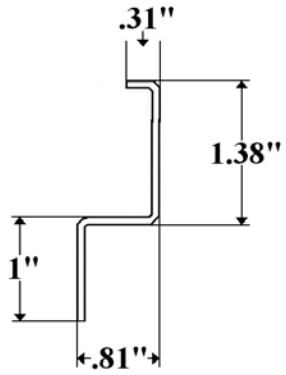
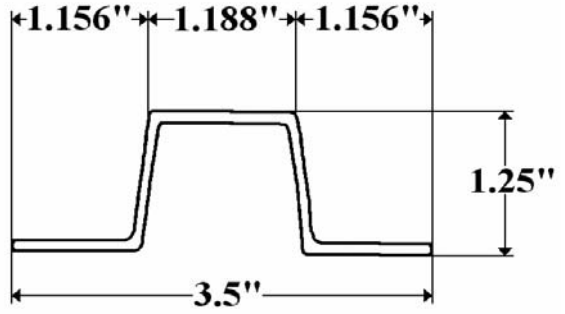


Posts

**Part 00010 (96'') & 00010/108 (108'')-
Steel Slat Spacer**

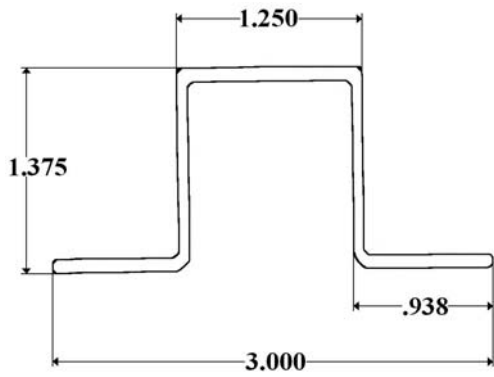


Part 00049- Duralite Steel Hat Post

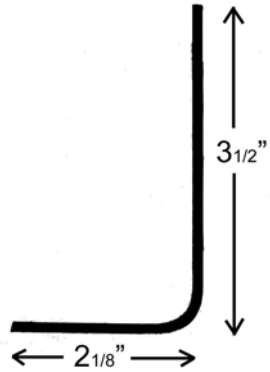


Use S2022

Part 1022- Morgan Aluminum Hat Post

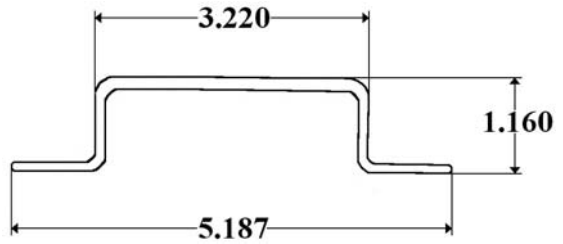


**Part 2010MINI - Supreme Mini Front
Corner Post Aluminum**

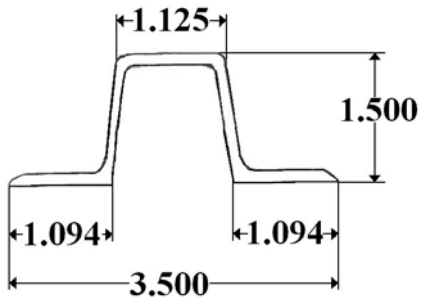


OEM # 002099700007

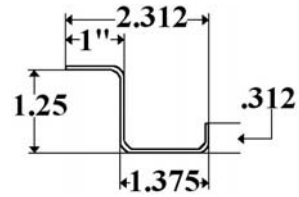
**Part 2219- RUB Rail
Can Be Used As Post**



Part 225-2- Hat Post U.S. Truck

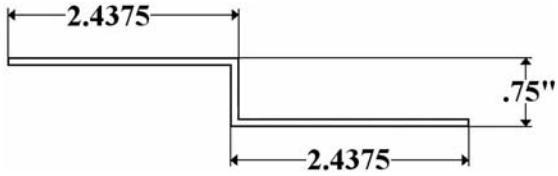


**Part 232-2D (96"), 2E (108"), &
232-NH (108") No Holes for FRP Body
Supreme, AC, Delta, Vanco Steel Z Post**

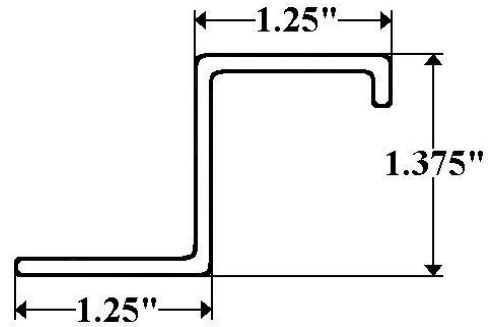


Punched on 3" Centers

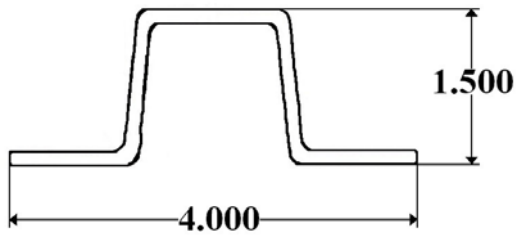
**Part 330-2D (96")- Utilimaster
Steel Z-Post Aluminum Body 1998**



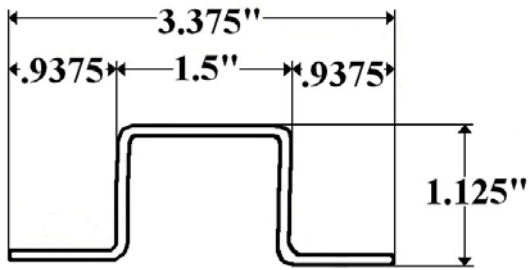
**Part 332-2D (97"), 2E (108") & 2F (112")-
Aluminum Z-Post Morgan, U.S., Jannell,
Grumman, Babb, Mickey, & Others**



**Part 339-2- Aluminum Hat Post
U.S. Truck**

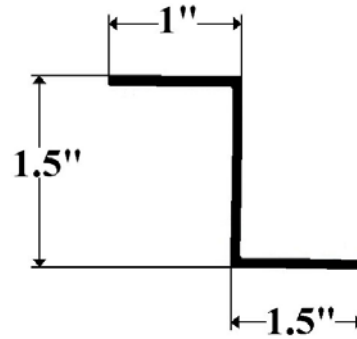


Part 4022- Steel Hat Post Grumman

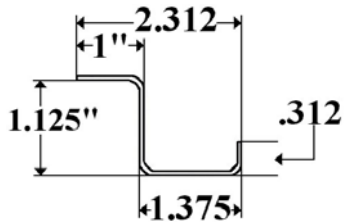


Use S5022

Part 432-2 (107'')- Aluminum Z Post Kidron

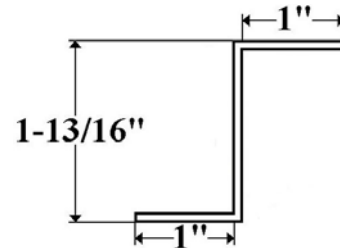


Part 732-2D (97'') & 2E (108'')- Steel Z-Post Utilimaster, Grumman, A.M. Haire

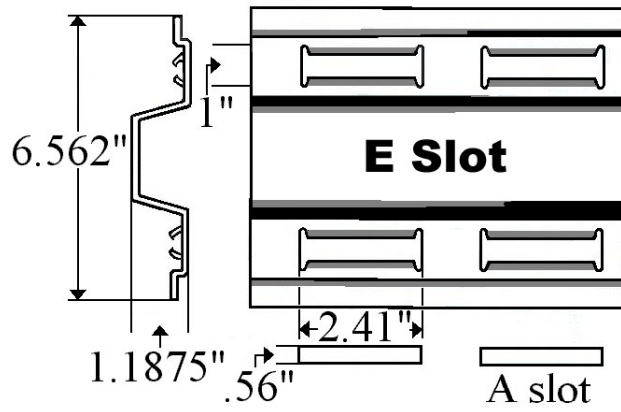


Punched

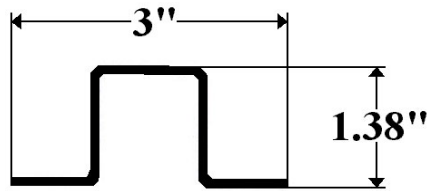
Part 932-2E- Marathon/Satellite/Metro Steel Z Post 1-13/16' X 107-7/8' Punched



DLP108A (A Slot) & DLP108E (E Slot) 108'' Double Logistic Wall Post

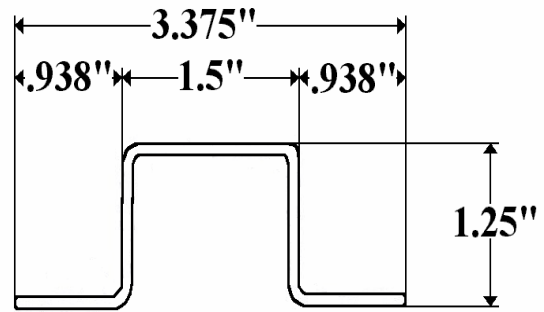


Part S1022 (107")- Steel Hat Post
Morgan, U.S., Mickey

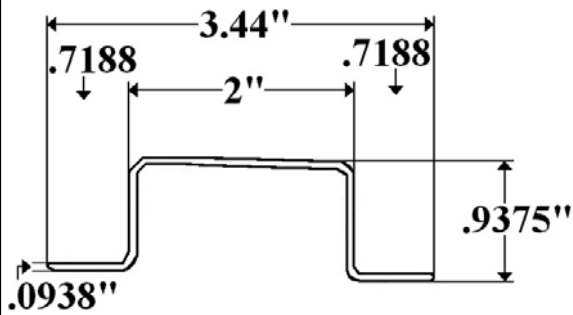


Punched

Part S2022- Steel Hat Post

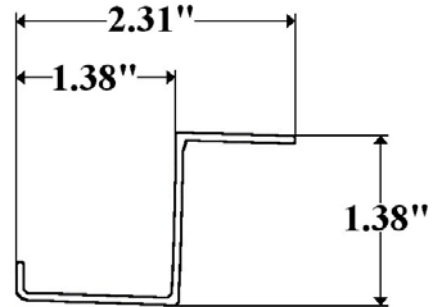


Part S3022- Steel Hat Post & Roof Bow

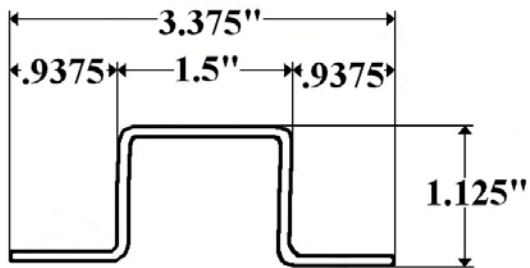


Kidron Roof Bow
ABC Roof Bow & Side Post

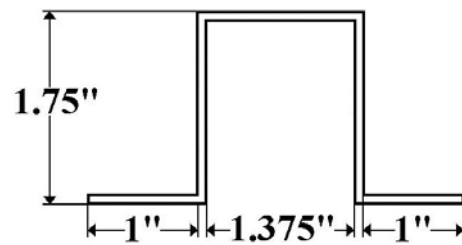
Part S332-2D (97") & 2E (108")-
Steel Z Post, Morgan, U.S. Truck,
Mickey, Babb



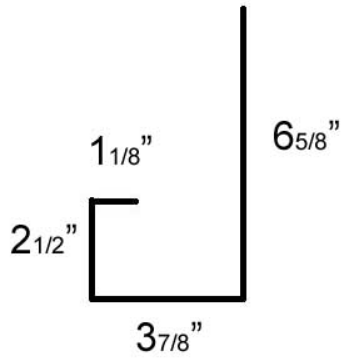
Part S5022- Steel Hat Post



Part S9922- Steel Hat
1-3/4" X 98-7/8"



**Part SU4 - Supreme Mini Rear Corner
Post Steel**



OEM # 015520938