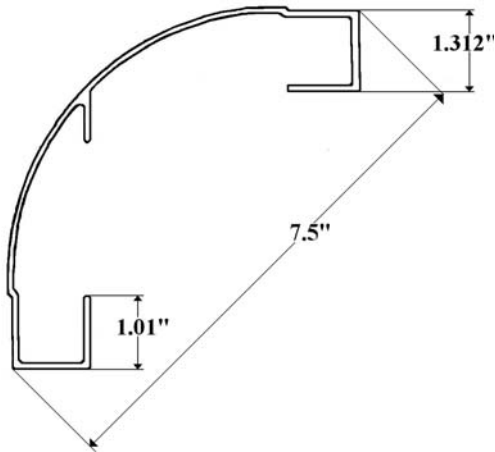


Radius Posts
& Panels

**Part 00054- Duralite Corner Post-
Aluminum Body**



**Part 00078- Roof Radius U.S. Truck,
Jannell, A.M. Haire, Duralite &Others**

M-Mill

W-White



00078M 24" X 96"

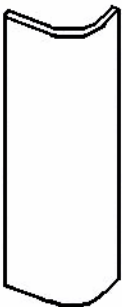
00078W 24" X 96"

Part 1010- Corner Radius Morgan

M-Mill

P-Polished

S-Stainless



1010M	15.28 X 96"
1010M/103.5	15.28 X 103.5"
1010P	15.28 X 96"
1010P/103.5	15.28 X 103.5"
1010S	15.28 X 96"
1010S/103.5	15.28 X 103.5"

Part 1012- Roof Radius Morgan

M-Mill

P-Polished

S-Stainless

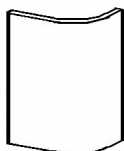
PY- Penske Yellow



1012M	19.28 X 80.88
1012M2	19.28 X 86.88
1012P	19.28 X 80.88
1012P2	19.28 X 86.88
1012S	19.28 X 80.88
1012S2	19.28 X 86.88
1012PY2	19.28 X 86.88

Part 1013- Corner Radius For Peek

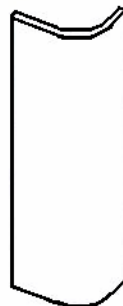
M-Mill



1013 16-3/4" X 22-1/8"

**Part 1014- Corner Radius Morgan,
Grumman**

M-Mill



1014 16.687 X 96"
1014/102 16.687 X 102"

**Used on Morgan Penske
Bodies**

**Also used on Grumman
With FP4100R&L
Plastic Corner Caps**

**Part 1015M- Roof Radius Morgan
Family Van *Mini***



Used with FP1050R&L Corner Caps

11-1/2 X 70-7/8 Mill *Punched*

**Part 1016M- Parcel Del Van Morgan
Corner Radius**

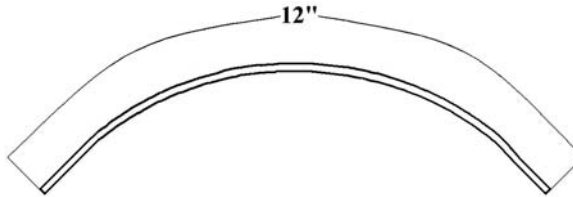


1016M 16.75 X 88"



Supreme Corner Radius
M-Mill
S-Stainless (through 1998)
E-Extruded (1999 on)

2010E 12" X 103.5"



2010S 11-3/4" X 96" Punched

2010S/108 11-3/4" X 108" Punched

Supreme Roof Radius Punched
M-Mill S-Stainless PY-Penske Yellow



2012M 20-5/8" X 79-3/8" For 96" Wide Body

2012M2 20-5/8" X 85-3/8" For 102" Wide Body

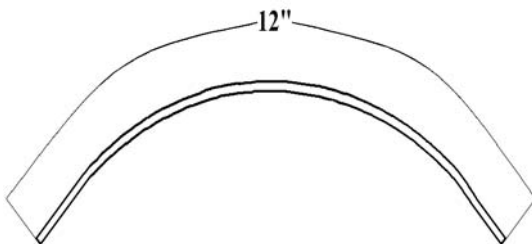
2012S 20-5/8" X 79-3/8" For 96" Wide Body

2012S2 20-5/8" X 85-3/8" For 102" Wide Body

2012PY 20-5/8" X 79-3/8" For 96" Wide Body

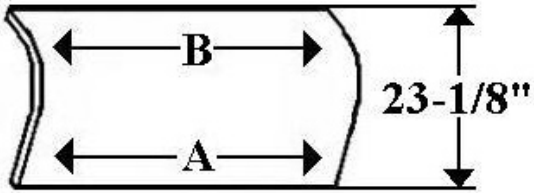
2012PY2 20-5/8" X 85-3/8" For 102" Wide Body

Part 2013E- Supreme Extruded
Corner Radius For Peek



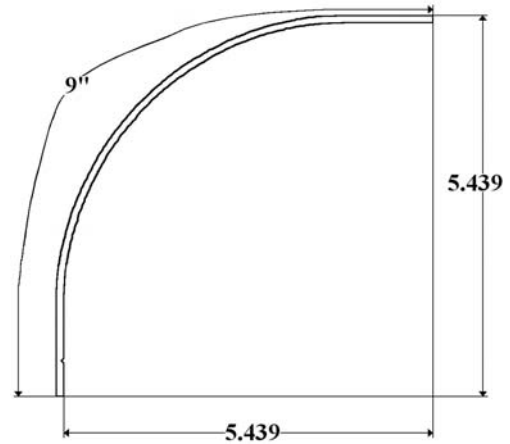
24"

Utilimaster Roof Radius *Mitred*



	A	B	
3012RY	80"	X 88-1/2	Ryder Yellow
3012M	84"	X 92-1/2	Mill
3012M2	90"	X 98-1/2	Mill

Part 334-2- Front Corner Post U.S. Truck

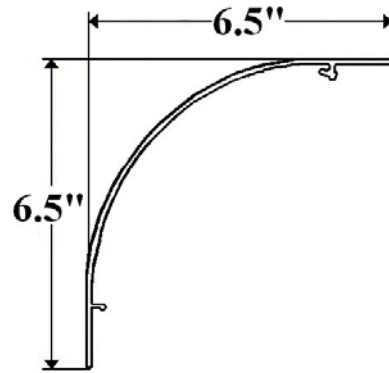


Also Used on Duralite FRP Body

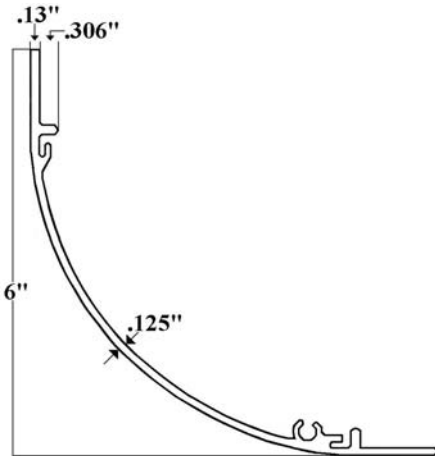
Part 388-17- US Truck Body Stainless Steel Corner Radius Punched



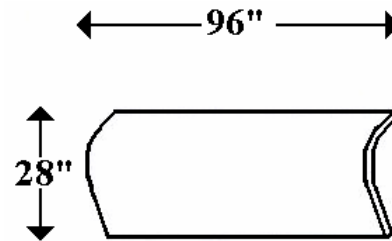
Part 3886- Morgan Corner Radius



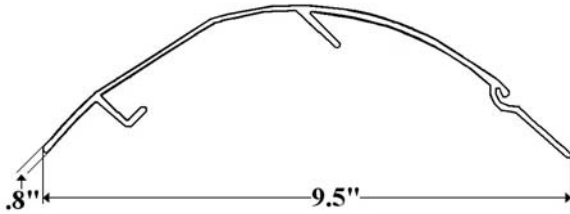
Part 3910E- Modern Wagon Corner Radius



Part 3912W (White)- Roof Radius Duralite, Modern Wagon, & Marathon/Satellite/Metro 16" Radius

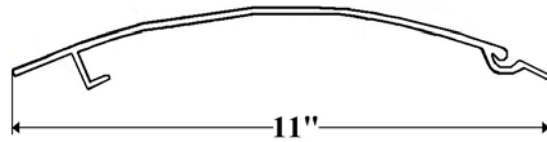


Part 4012/102- Grumman Roof Radius



Used with FP4500R&L Corner Caps

**Part 4012L- Grumman Roof Radius
Lower of 2 Pieces (Upper #4012U)**



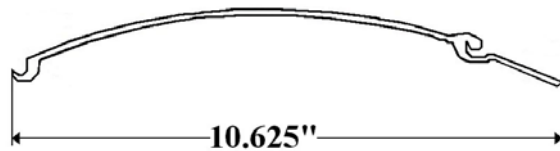
Used with FP4000R&L Corner Caps

**Part 4012M (Mill),
4012PY (Penske Yellow)-
Grumman Roof Radius**



Used with FP4100R&L Corner Caps

**Part 4012U- Grumman Roof Radius
Upper of 2 Pieces (Lower #4012L)**



Used with FP4000R&L Corner Caps

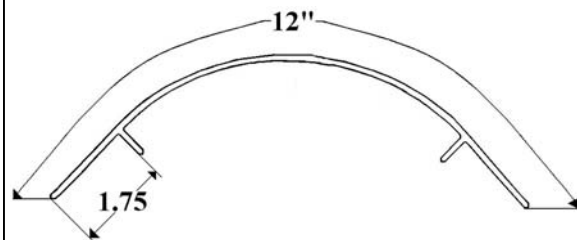
**Part 423-M, W- US Truck Body
Roof Radius**

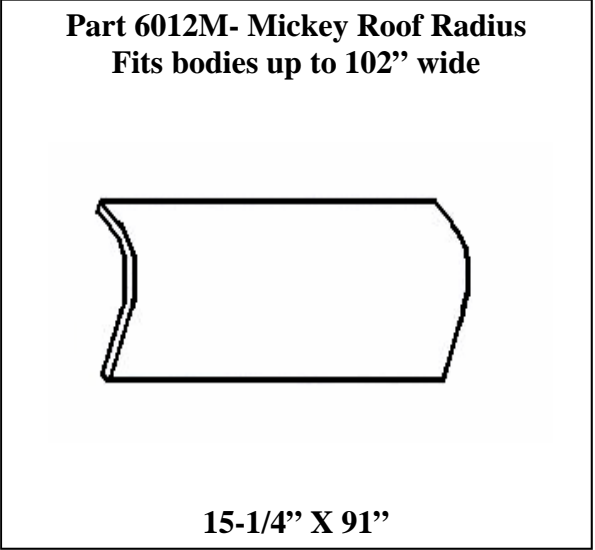
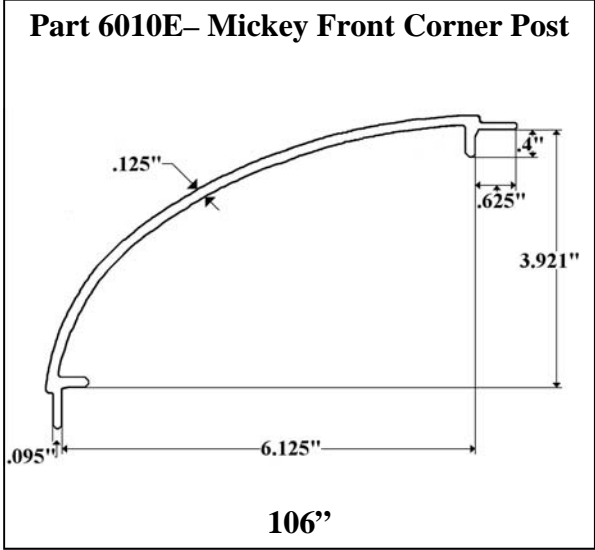
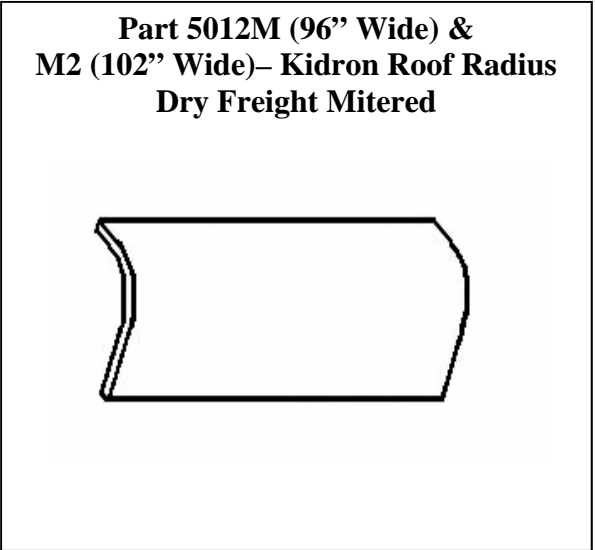
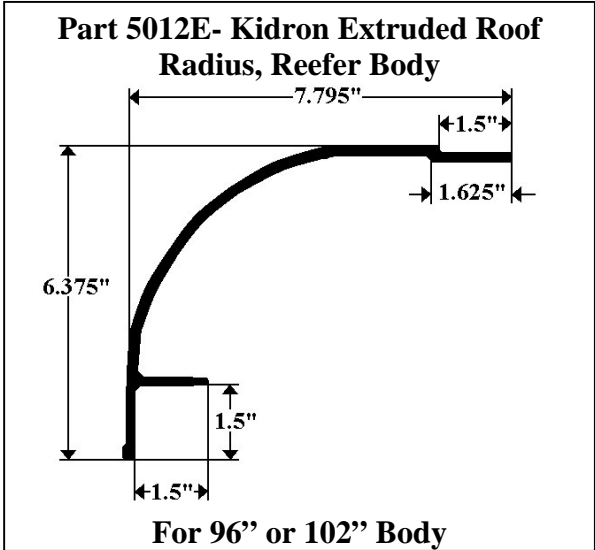
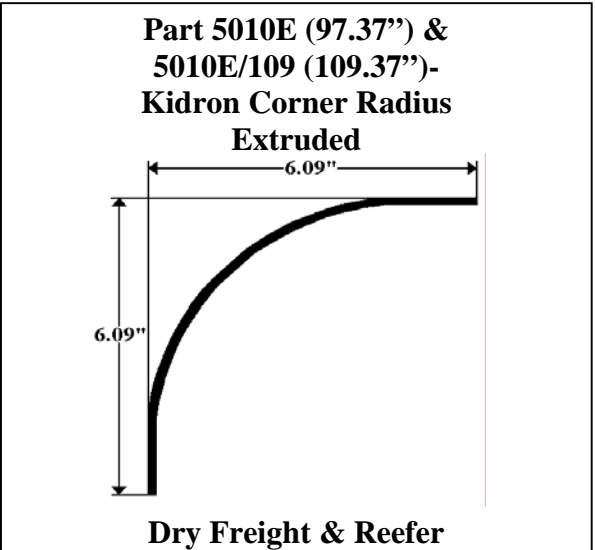
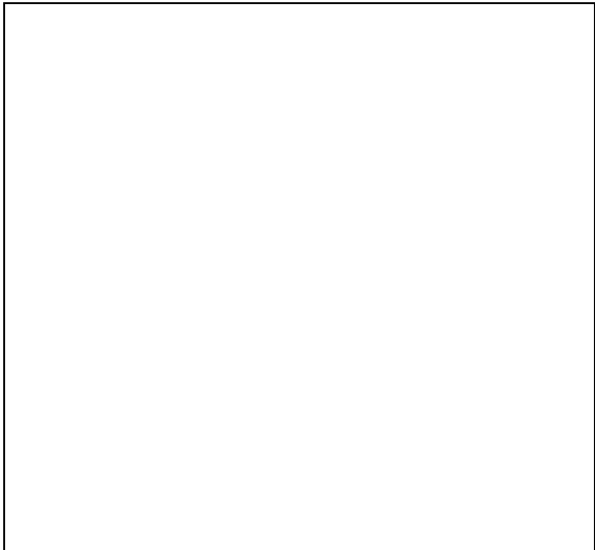
M-Mill

W-White

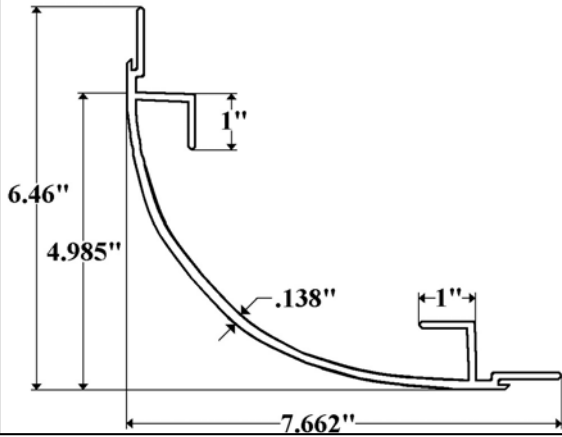


**Part 4030/103 (103'') & 4030/112 (112'')-
Corner Post
Grumman & Utilimaster**





Part 7010 & 7010P (Polished)
Lengths- 98-3/8" & 125-3/8"-
A.M. Haire Front Corner Post

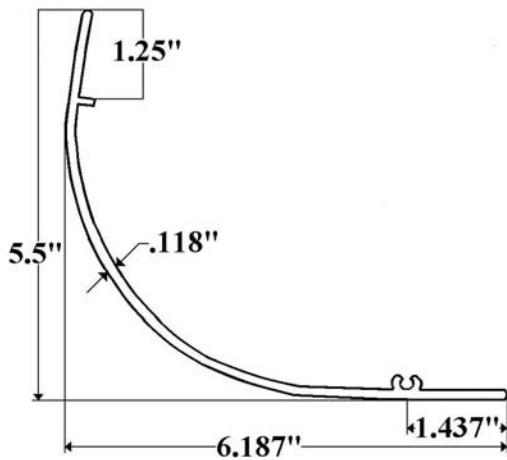


Part 7712S- ABC Stainless Roof Radius
Punched

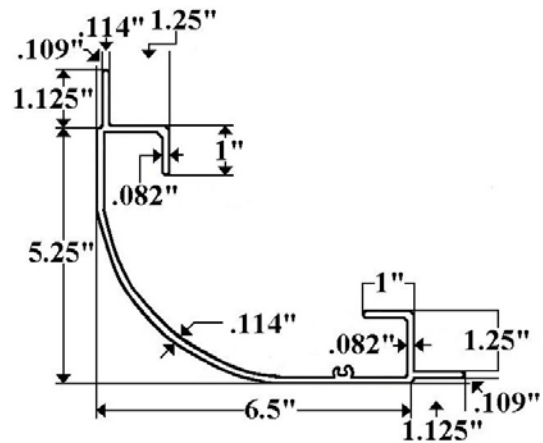


16" X 89"

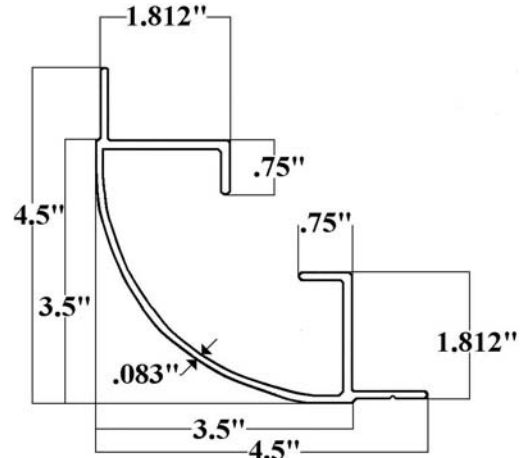
Part 9010/FRP- Babb Corner Post-
FRP Body



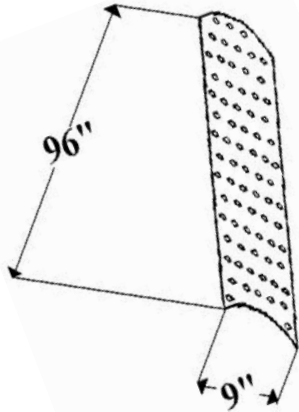
Part 9010E- Babb Corner Post
Aluminum Body



Part 9910E- Marathon/Satellite/Metro
Front Corner Post

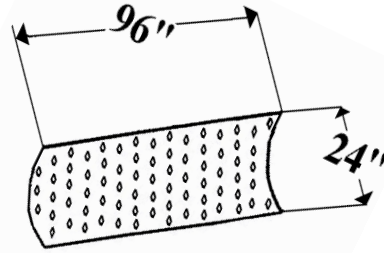


**Part C-334- Aluminum Diamond Plate
Corner Radius**



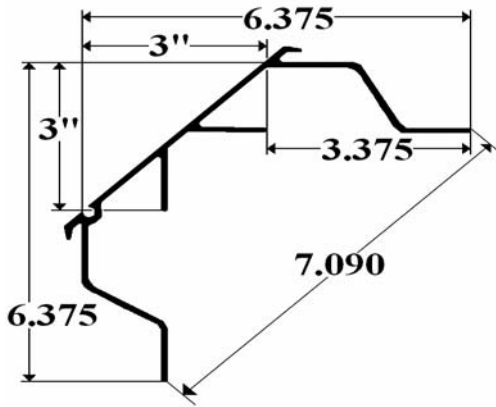
Continental & Others

**Part DPRR2496- Aluminum Diamond
Plate Roof Radius**



**Used on Babb,
American Commercial & Others**

**Part TRV1- Corner Post Babb *Old Style*
Trail-R-Van**



**Part VB801- Grumman V-Body
Front Corner Post**

Can Substitute 4030/103