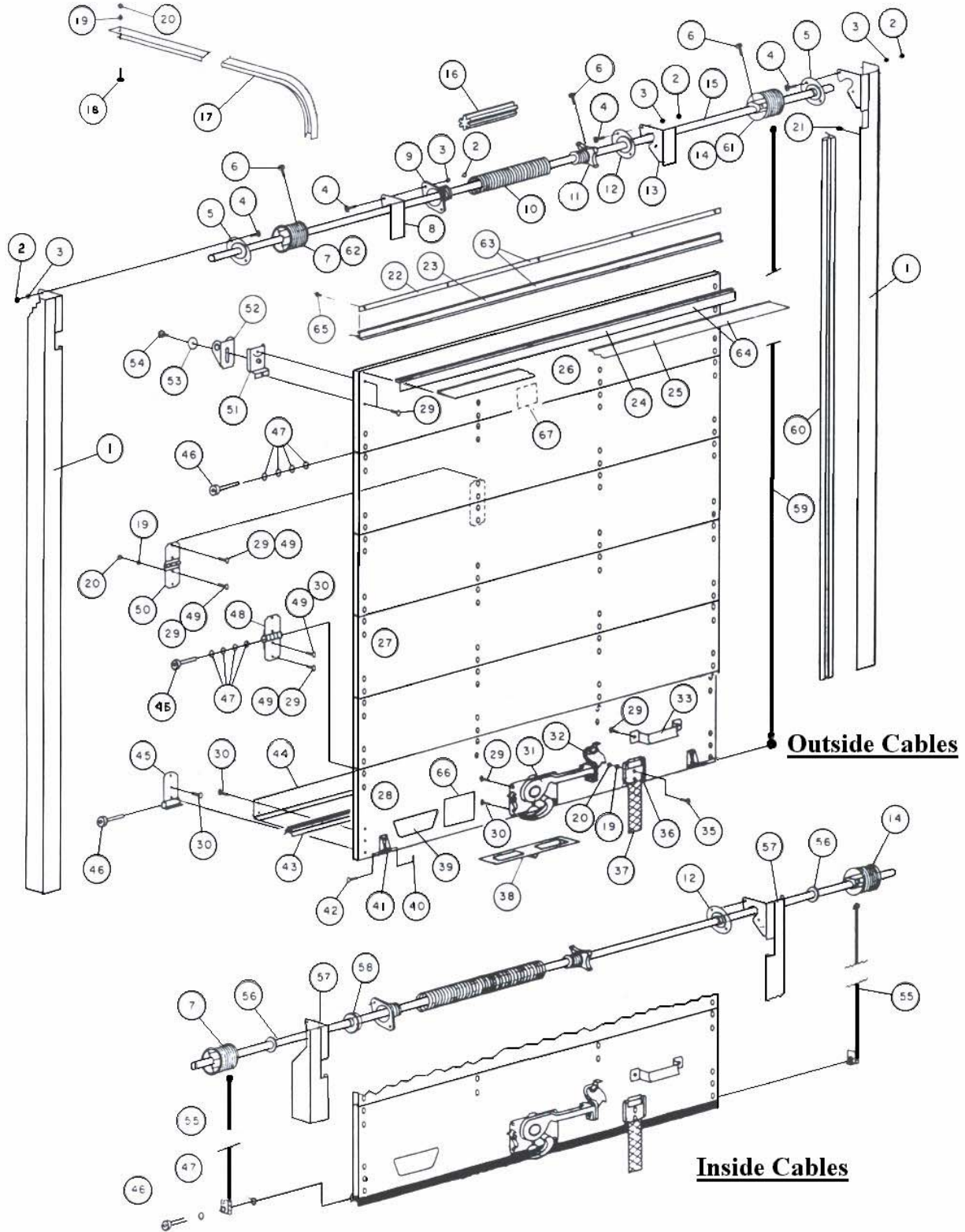


Roll-Up Doors
& Parts

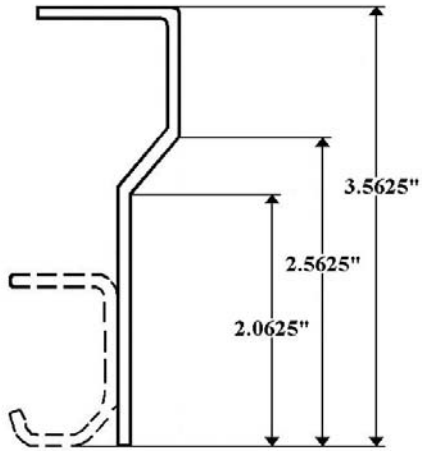
Todco 3/4 Dry Freight Door



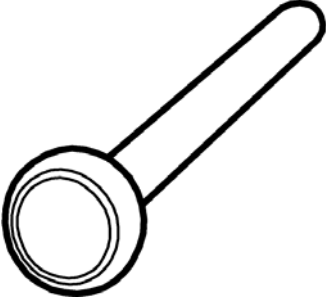
ITEM	PART NO.	Description
1	49019-1	Vertical Track Assembly-LH
	49019-2	Vertical Track Assembly-RH
2	80352-518	Hex Nut- 5/16" NC
3	80322-319	Lockwasher- 5/16"
4	89186-3	Hex Head Bolt-5/16"X 7/8"
5	51038	Bearing Assembly
6	80300-2414	Hex Head Set Screw-3/8" X 7/8"
7	59129-2	Cable Drum RH (Roadside) – to 105"Door Height
8	51036-2	Spring Anchor Bracket
9	51043	Spring Anchor Plug-1-3/4" I.D. Spring
	59024	Spring Anchor Plug- 2-1/2" I.D. Spring
10	51042	Spring- 1-3/4" I.D.
	59031	Spring- 2-1/2" I.D.
11	59158	Spring Winding Plug- 1-3/4" I.D. Spring
	59159	Spring Winding Plug- 2-1/2" I.D. Spring
12	59083	Bearing Assembly- Support Bracket
13	51036-1	Support Bracket-LH (Curbside)
14	59129-1	Cable Drum-LH (Curbside)
15	59290	Counterbalance Shaft
16	59092	Filler Plug- 2-1/2" I.D. Spring
17	49702-1	Horizontal Track- LH (Roadside)
	49702-2	Horizontal Track- RH (Roadside)
18	80105-414	Hex Head Bolt- 1/4" NC X 1-3/4"
19	80322-255	Lockwasher- 1/4"
20	80352-420	Hex Nut-1/4" NC
21	89100-1	Drive Rivet- 3/16" Dia X 9/32 Lg
22	61403	Retainer- Head Seal (Header Mounted)
23	61402	Head Seal (Header Mounted)
24	69790	Retainer- Head Seal (Panel Mounted)
25	69718	Head Seal (Panel Mounted)
26	29013	Top Panel- Plastic- No Hardware
	29017	Top Panel-Aluminum Covered- No Hardware
27	29014	Intermediate Panel- Plastic- No Hardware
	29018	Intermediate Panel- Aluminum Covered- No Hardware
28	29016	Bottom Panel- Plastic
	29020	Bottom Panel- Aluminum Covered
29	89210-0032	Rivet- 1"
30	89210-0036	Rivet- 1-1/8"
31	69517	Maximum Security Lock Assembly- Standard
	70223	Maximum Security Lock Assembly- Offset Lever Arm
32	69725	Keeper Assembly
33	61401	Lift Handle

35	89210-0044	Rivet- 1-3/8"
36	69832	Pull Strap Retainer
37	80844-1216	Pull Strap- 12" Looped (Standard)
38	70093	Catch Box
39	69793	Name Plate
40	80401-316	Cotter Pin- 3/32" Diameter
41	61204	Cable Anchor Bracket
42	61026	Cable Anchor Pin
43	80840	Bottom Seal
44	61191	Bottom Angle
45	61352	Bottom Fixture
46	61174	Roller
47	80020	Spacer Washer- Roller
48	69035	End Hinge Assembly
49	80015-0040	Step Bolt- 1/4" NC X 1-1/4"
50	61196	Center Hinge Assembly
51	69432	Base- Adjustable Top Fixture
52	69431	Slide- Adjustable Top Fixture
53	80302-2436	Flatwasher- 3/8"
54	89049	E-Lok Bolt 3/8" NC
55	51079-1	Cable Assembly- LH (Curbside)
	51079-2	Cable Assembly-RH (Curbside)
56	80023	Spacer Washer- Cable Drum
57	49007-1	Vertical Track Assembly- LH (Curbside)
	49007-2	Vertical Track Assembly- RH (Curbside)
58	80701-2	Bearing
59	51044	Cable Assembly- 110" Lg to 100" Door Height
	59004	Cable Assembly- 115" Lg – 100" to 105" Door Height
	59003	Cable Assembly- 130" Lg – 105" to 120" Door Height
60	61390	Side Seal- Pair
61	59157-3	Cable Drum- LH (Curbside)- 105"- 120" Door Height
62	59157-4	Cable Drum- RH (Curbside)- 105" to 120" Door Height
63	69770	Head Seal Assembly (Header Mounted)
64	70001	Head Seal Assembly
65	89100-2	Drive Rivet- 3/16" Dia. X 15/32" Lg
66	70318	Warning Sticker- Safety Notice
67	70319	Warning Sticker- Counterbalance

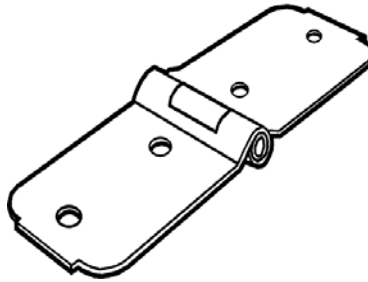
Part 49948– Horizontal Track Clip



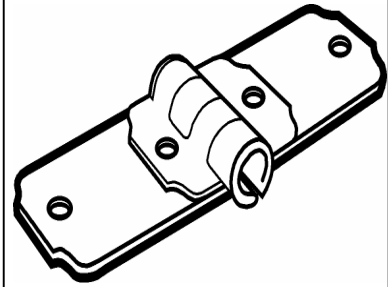
Part 61174- Standard 1" Steel Roller &
Part 69162- Sealed 1" Steel Roller



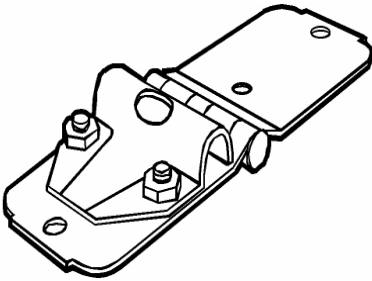
Part 61196- Standard Center Hinge



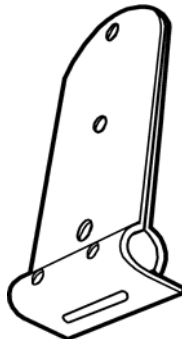
Part 69035- Standard End Hinge



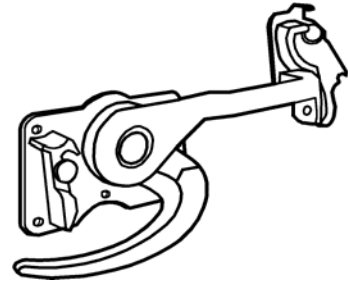
Part 70311- Removable End Hinge



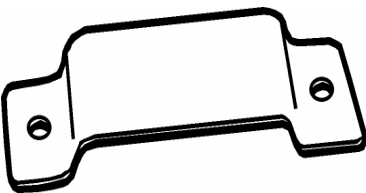
Part 61352- 3/4" Door Bottom Fixture



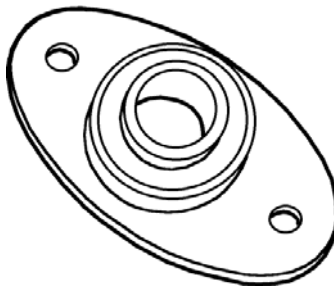
Part 69571- Standard Max. Security Lock &
Part 69572- Secondary Keeper



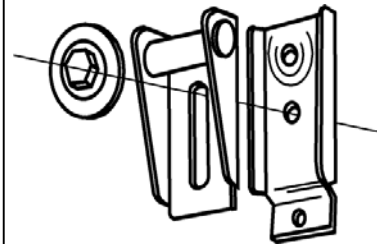
Part 61401- Lift Handle



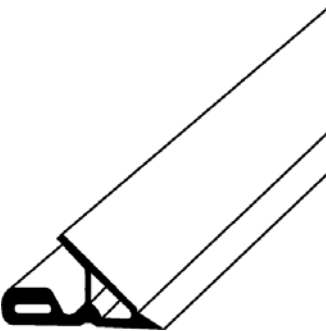
Part 51038- Bearing Assembly



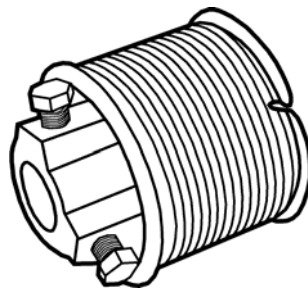
Part 69433- Adj. Top Hinge Complete



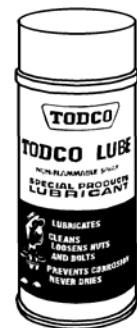
Part 61390- Rubber Slide Seal



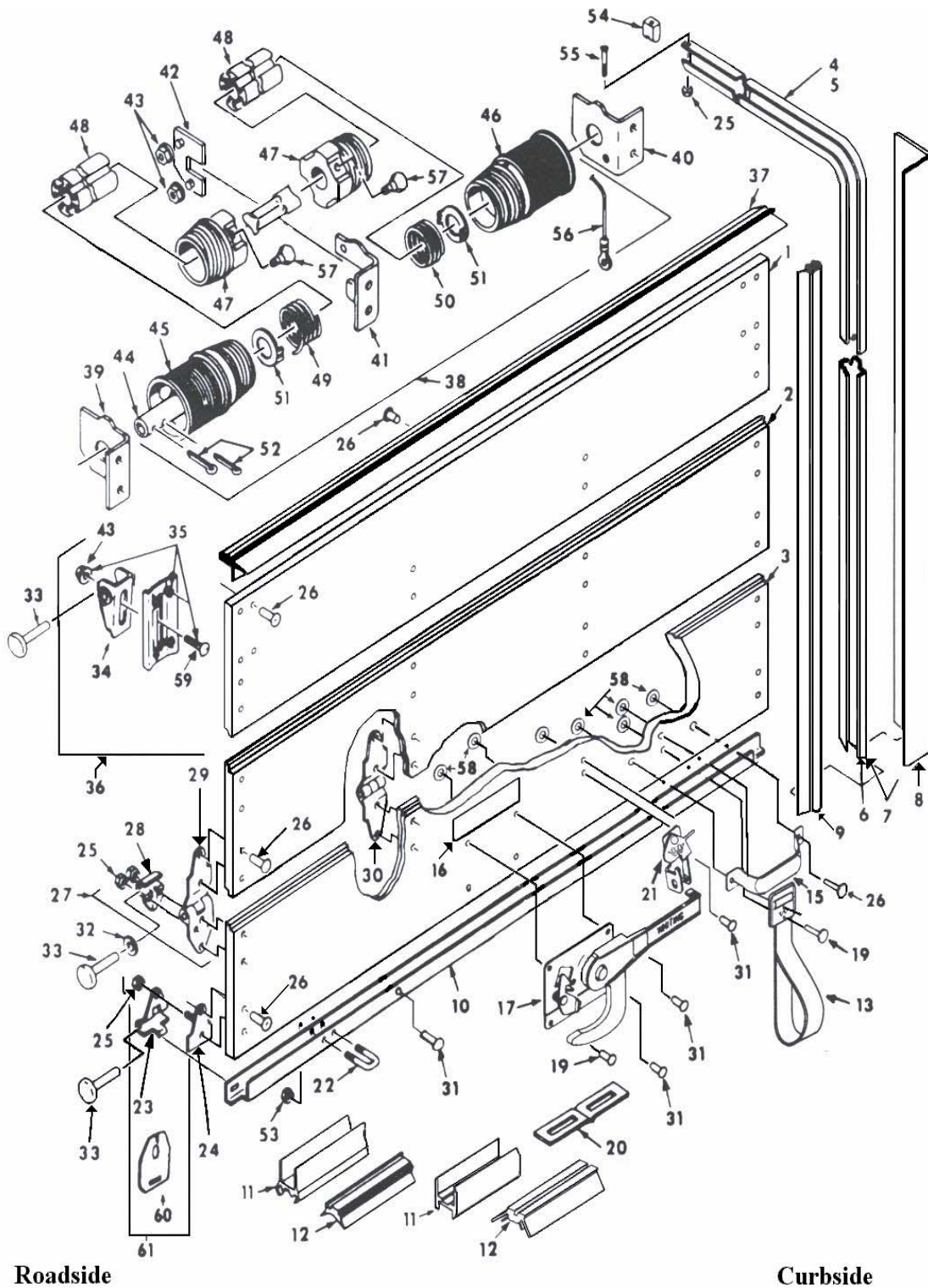
Part 59129-1 (Curb) & -2 (Road)- Standard Cable Drum &
Part 59157- Extended Cable Drum



Part 3900-1012- Spray Lube



Whiting Premium- 3/4" Dry Freight Door Plastic or Aluminum Clad



Item	Part No.	Description
1	241	Top Panel Complete- Plastic- Ship Lap Joint (Specify length & width)
1	341	Top Panel Complete- Tongue & Groove Joint (Specify length & width)
1	251	Top Panel Complete- Aluminum- Ship Lap Joint (Specify length & width)
1	351	Top Panel Complete- Aluminum- Tongue & Groove Joint (Specify length & width)
2	242	Intermediate Panel- Plastic- Ship Lap Joint (Specify length & width)
2	342	Intermediate Panel- Plastic- Tongue & Groove Joint (Specify length & width)
2	252	Intermediate Panel- Aluminum- Ship Lap Groove Joint (Specify length & width)
2	352	Intermediate Panel- Aluminum- Tongue & Groove Joint (Specify length & width)
3	248	Bottom Panel Complete, with Seal- Plastic- Ship Lap Joint (Specify length & width)
3	348	Bottom Panel Complete, with Seal- Plastic- Tongue & Groove Joint (Specify length & width)
3	258	Bottom Panel Complete, with Seal- Aluminum- Ship Lap Joint (Specify length & width)
3	358	Bottom Panel Complete, with Seal- Aluminum- Tongue & Groove Joint (Specify length & width)
4,5	11-XX	2" Horizontal Track (Specify length, radius, & curbside or roadside)
6	1031	2" Vertical Track- Roadside or Curbside (Specify length)
7	2275-1	Vertical Track and Mounting Angle Assembly- Curbside (Specify length & size of each)
7	2275-2	Vertical Track and Mounting Angle Assembly- Roadside (Specify length & size of each)
8	XX	Mounting Angle (Specify length & size)
9	5423	Side Seal. Vinyl, Drive in Style (Specify length)
10	18-3	Bottom U Channel- Steel (Specify length, balance & lock type)
11	1801	Bottom U Channel Seal Retainer- Aluminum (Specify length, balance & lock type)
11	8280-2	Bottom U Channel Seal Retainer- Aluminum (Specify length, balance & lock type)
12	1676	Bottom Seal (Specify length) for use with #1801 Channel
12	5735	Bottom Seal (Specify length) for use with #8280-2 Channel
13	9723-XX	Pull Down Strap (Specify door height)
15	1715	Grab Handle
16	3034	"Do Not Move" Decal
17	77	Lock Assembly, No Keeper
19	10-1002-9	Rivet- (1/4 X 1)- 3/4 HD Cadium Plated Steel
19	10-1002-49	Rivet- (1/4 X 1-9/32)- 3/4 HD Stainless Steel
20	2804	Latch Plate
21	7015	Handle Keeper
22	70-13	Cable Anchor- 1-1/4 U-Bolt
23	1021	Bottom Roller Shaft Cover
24	1370	Bottom Roller Bracket Stud Plate
25	10-1022-1	Keyp Nut 1/4 X 20

26	10-1002-3	Rivet- (1/4 X 1)- 3/4 HD Cadium Plated Steel
27	10-1002-23	Rivet- (1/4 X 1)- 3/4 HD Stainless Steel
28	10-1002-73	Rivet- (1/4 X 1)- 3/4 HD Aluminum
29	1209	Roller Hinge Complete with Cover Clamp and Nuts
30	1208	Roller Hinge Cover Clamp
31	1207	Roller Hinge
32	6	Center Hinge
33	3228	2" Nylon Roller
33	2996	2" Steel Roller
34	6943	Top Closure Slide
35	1264	Top Closure Base with Nuts & Bolts
36	6944	Top Closure Assembly Complete
37	4032	Top Seal (Specify length)
38	2376	Balance Assembly (Less Items 39-43, 52, 56) (Specify wire size, spring length & shaft length)
39	2524	Balance Bracket- Roadside
40	2523	Balance Bracket- Curbside
41	2525	Balance Bracket- Center
42	2526	Balance Bracket Clamps
43	10-1063-1	Self Locking Nuts (5/16-18)
44	2528	Balance Shaft (Specify length)
45	2547	Cable drum and Bearing Assembly (2901)- Roadside
46	2548	Cable Drum and Bearing Assemble (2902)- Curbside
47	2518	Winding Cone
48	2471	Spring Spacer (Cut to Relaxed Spring Length + 4-1/4")
49	2704	Torsion Spring- Roadside- LH Wound (Specify Size)
50	2705	Torsion Spring- Curbside- RH Wound (Specify Size)
51	2522	Thrust Washer
52	10-1009-8	Cotter Pin (3/16 X 1-1/2)
53	10-1003-2	Self Locking Nut (5/16 X 18)
54	83	2" Track Stop Bumper
55	10-1010-3	Bolt (1/4-20 X 2-12)
56	1-XX	1/8" Stainless Steel Cable with 5/16" Eye (Specify door height)
57	2699	Set Screw (3/8-16X 5/8)
58	10-1006-1	Washer (1/4 X 3/4)
59	2370	Bolt (5/16 X 5/8)
60	5726	Wear Plate- for Doors with Bottom Seal
61	1371	Complete Bottom Bracket W/ Cover