

U.S. Truck Body Parts Quick Reference Guide

Notes:

ALUMINUM BODY- USES TWO-PIECE TOP RAIL 422-2 & 366-2

FRP BODY- USES ONE-PIECE TOP RAIL 422-2

DISCLAIMER

USE OF OEM OR MANUFACTURERS' NAME AND/OR PART NUMBERS IS FOR IDENTIFICATION PURPOSES AND SIMPLIFICATION ONLY AND IN NO WAY IS MEANT TO IMPLY THAT FLEET PARTS' ITEMS ARE AUTHORIZED OR IN ANY WAY AFFILIATED WITH THOSE MANUFACTURERS.

Part 00078- U.S. Truck Roof Radius

M-Mill

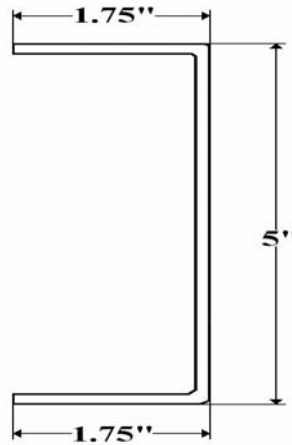
W-White



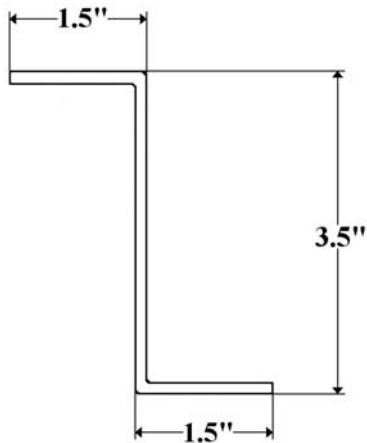
00078M	24"	X	96"
00078W	24"	X	96"

Use with Corner Cap 1211 & 1212

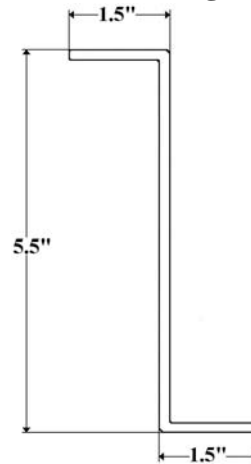
Part 103-1- U.S. Truck Cross-Member



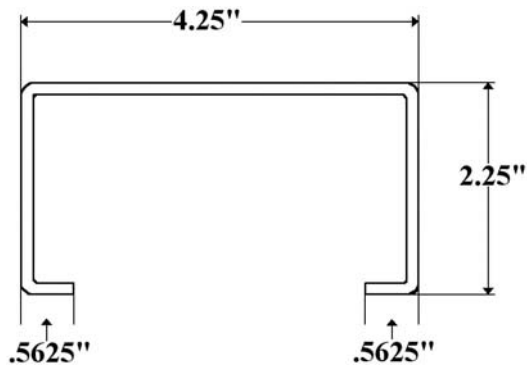
**Part 104-1 (108")- U.S. Truck
3-1/2" Z Mounting Section**



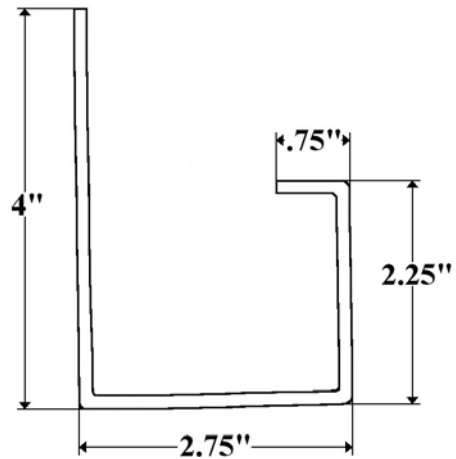
**Part 107-1 (108")- U.S. Truck
5-1/2" Z Mounting Section**



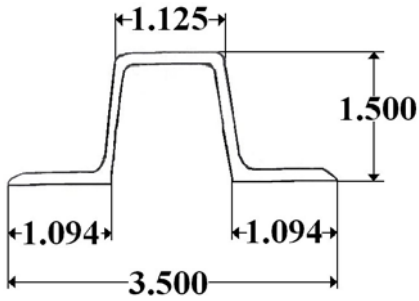
Part 203-1 (96")- U.S. Truck Rear Header



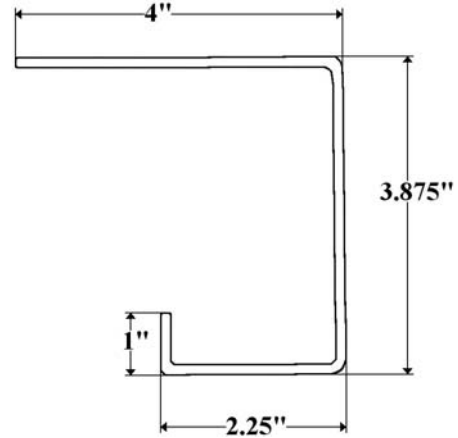
**Part 208-1- U.S. Truck Rear Corner Post
Swing Door**



Part 225-2- U.S. Truck Hat Post



Part 280-1- U.S. Truck Rear Corner Post-Roll-Up Door

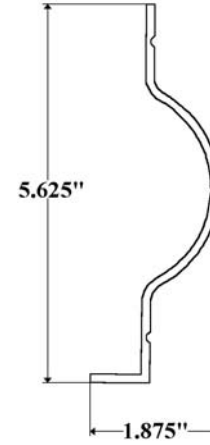


Part 305- U.S. Truck Rub Rail



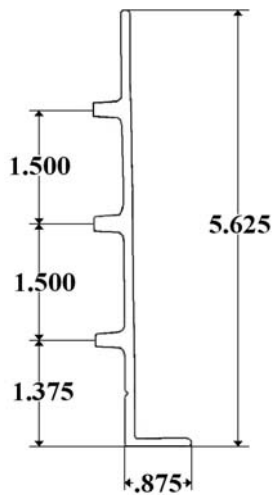
See Casting #322-5

Part 305-2- Bottom Rail U.S. Truck

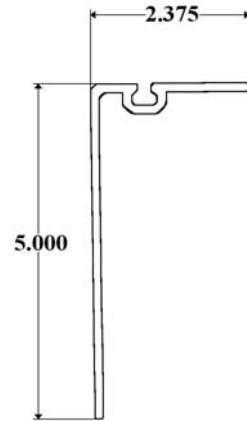


See Casting #322-5

Part 307-2- U.S. Truck Bottom Rail



Part 316-2- U.S. Truck Front Corner Post Aluminum Body



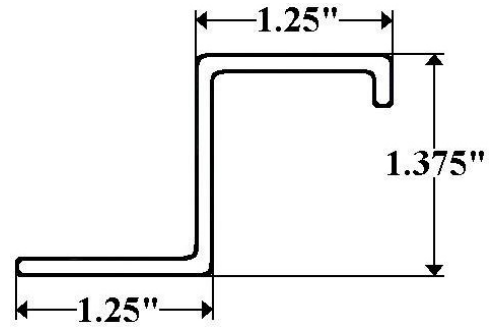
Uses 407-5 Corner Cap

Part 322-5- End Cap

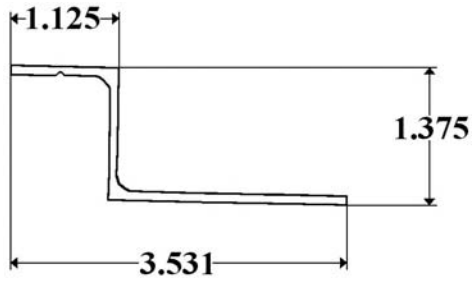


Used with 305 and 305-2 Extrusions

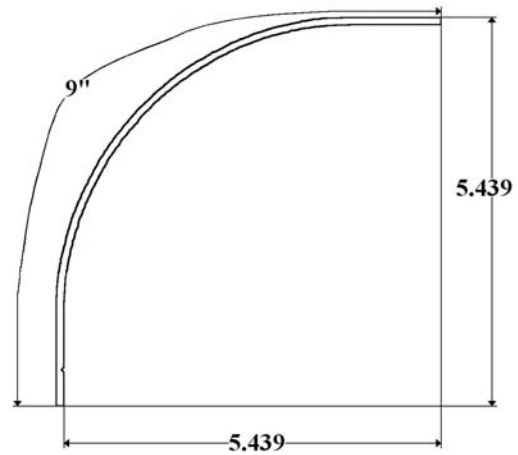
**Part 332-2D (97''), 2E (108'') & 2F (112'')-
U.S. Truck Aluminum Z-Post**



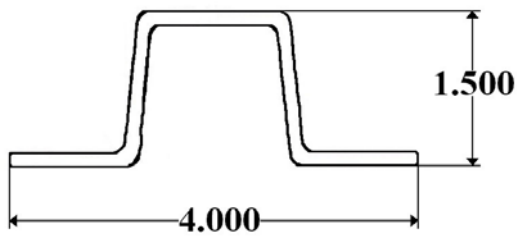
**Part 333-2- U.S. Truck
Vertical Connector 108''**



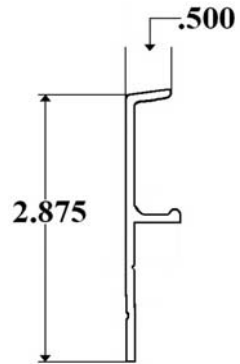
Part 334-2- U.S. Truck Front Corner Post



Part 339-2- U.S. Truck Hat Post

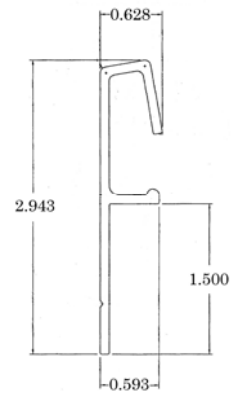


Part 366-2- U.S. Truck Top Rail Lower Aluminum Body

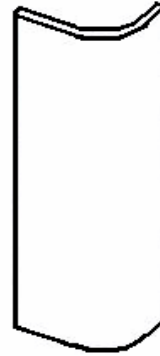


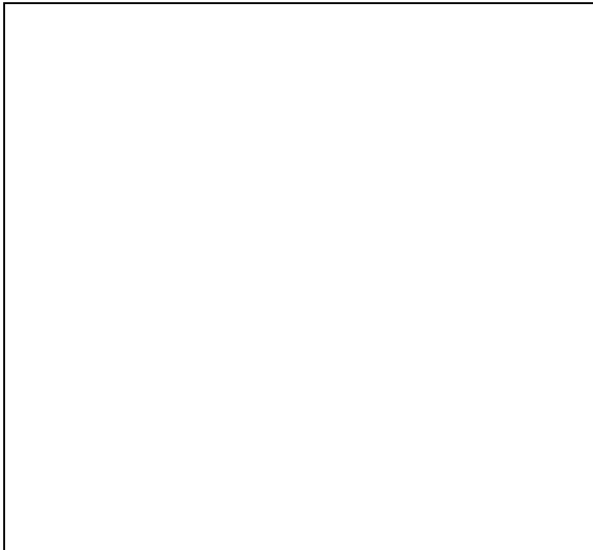
Upper 422-2

Part 367-2—U.S. Truck Body New Style Top Rail (Lower Piece on Aluminum Body)

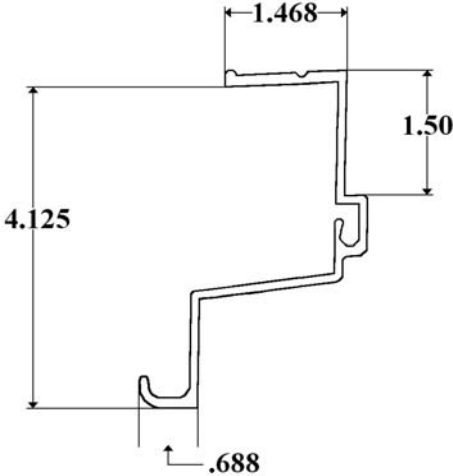


Part 388-17- U.S. Truck Body Stainless Steel Corner Radius Punched





Part 403-2AG- U.S. Truck Top Rail Rear



Part 418-5- U.S. Truck Left/Front Cap



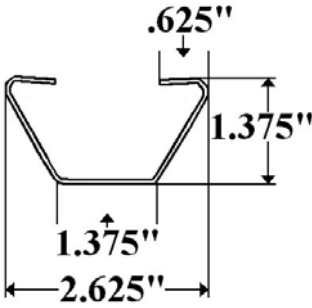
Obsolete Use FP438-5

Part 419-5- U.S. Truck Right/Front Cap

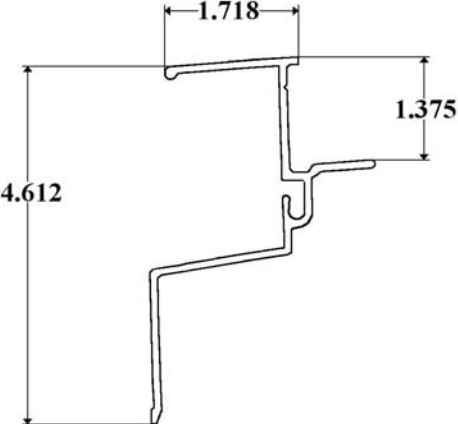


Obsolete Use FP439-5

Part 421-1D & 1E- U.S. Truck Roof Bow

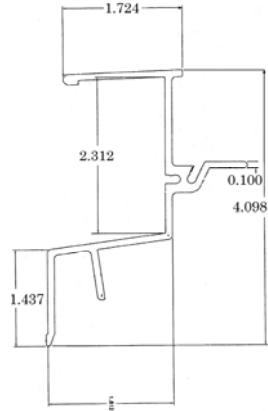


Part 422-2- U.S. Truck Roof Cove

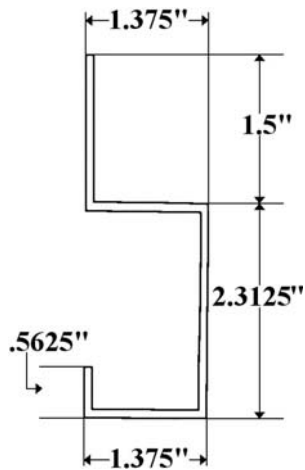


Used with 366-2 Aluminum Body Only

Part 423-2 - U.S. Truck Body New Style Roof Cove (Upper Piece on Aluminum & FRP Body)



Part 427-1 (98")- U.S. Truck Starter Bow



Part 429-5- U.S. Truck Front Cap For Straight Roof



Right or Left

Part 441-11A- U.S. Truck 94" Wide Body Ryder Yellow Fiberglass Nose Cap



Part FP407-5- U.S. Truck Rear Cap



Used on Front with Square Front Corner Post (316-2 & 317-2)

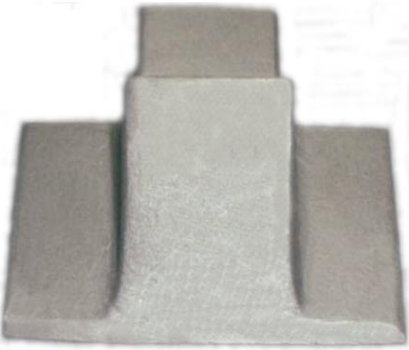
**Part FP438-5- U.S. Truck
Left/Front Cap**



**Part FP439-5- U.S. Truck
Right/Front Cap**

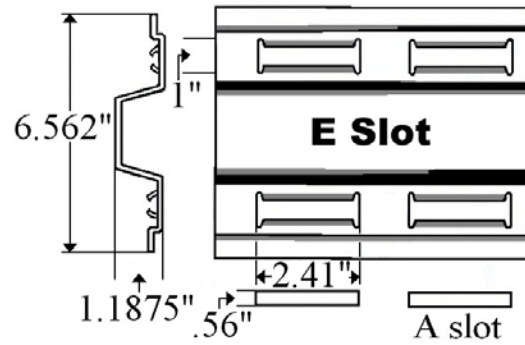


Part 531- End Cap

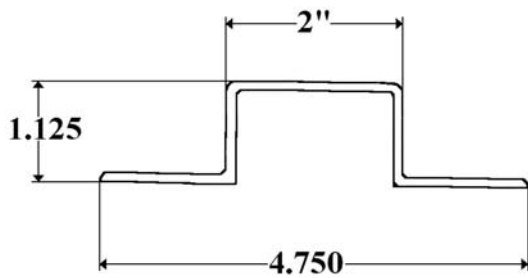


For RR531 Extrusion

**DLP108A (A Slot) & DLP108E (E Slot)
108" Double Logistic Wall Post**



Part RR531- U.S. Truck RUB Rail



Uses Casting #531

**Part S332-2- U.S. Truck
Steel Z-Post**

