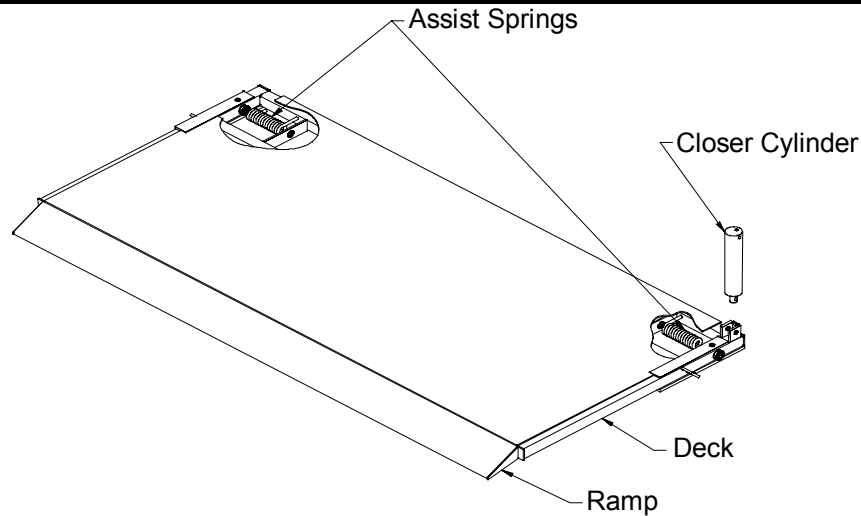


# RGL-SERIES PLATFORM - SINGLE PIECE



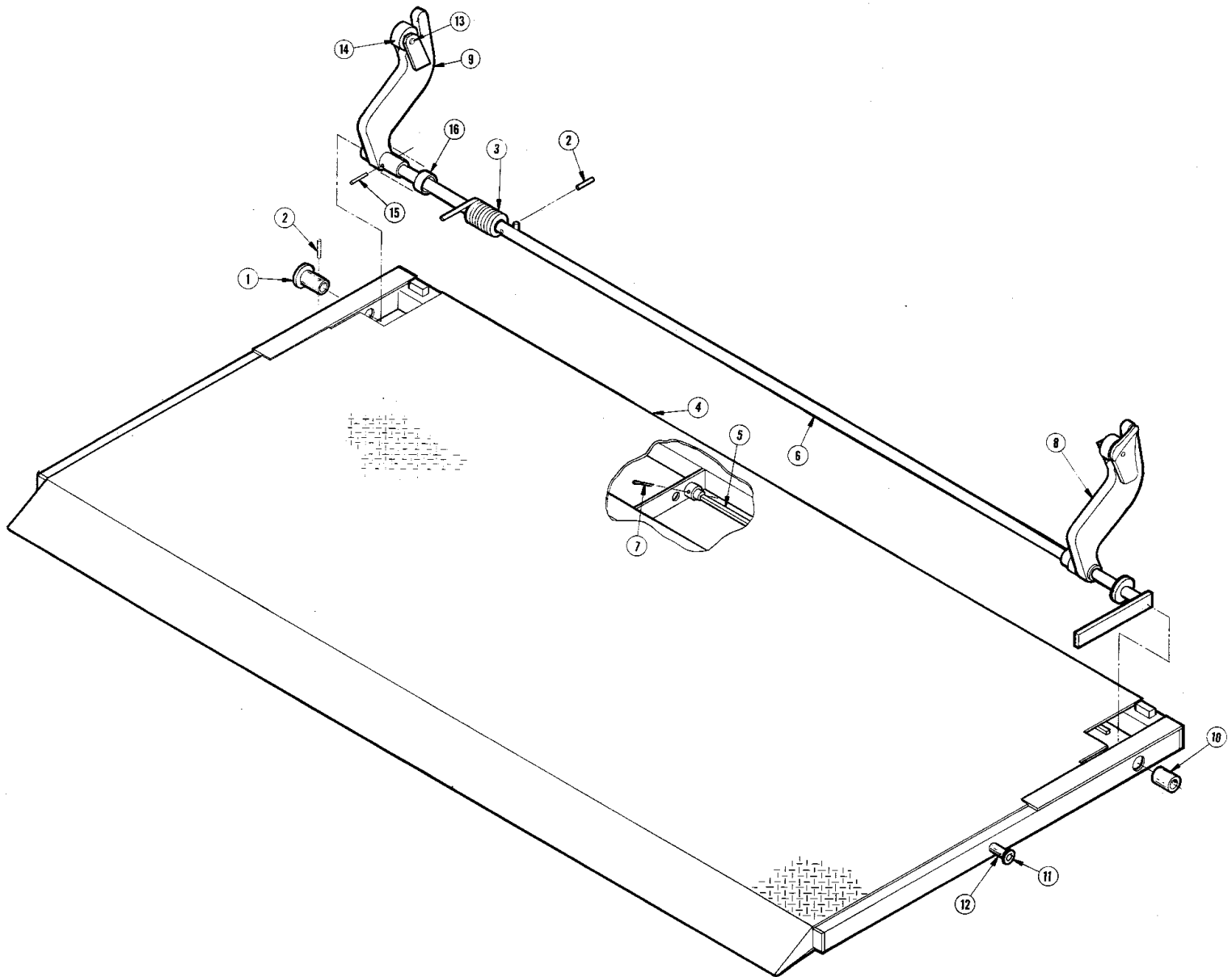
## Common Features

- Capacity decal: 2000, 3000, and 4000 pounds.
- Sizes: 36", 42", 48" deep  
90", 96" wide.
- Torsion bar assist (till 1/90).
- Spring assist (after 1/90)
- Hydraulic cylinder close (option 4/82 - standard 1985)
- Optional ramps - see Ramp page
- Reduced Maintenance Bearings at main platform pivot (after 12/97).
- 3/16" Diamond Floor Plate Standard on all capacity platforms (after 7/2001).

	<b>Series I</b> <b>PM-202</b>	<b>Series II</b> <b>(Torsion Bar)</b> <b>(1" x 50")</b> <b>PM-230A</b>	<b>Series II</b> <b>(Spring &amp; 2" Square</b> <b>Side Tubes)</b> <b>PM-230</b> <b>(Built thru 12/97)</b>	<b>Series II RM</b> <b>(Spring &amp; 2-1/2"</b> <b>Square Side Tubes)</b> <b>PM-443A</b> <b>(Built from 12/97 to</b> <b>now)</b>
<b>Closure</b>	<b>Cam</b>	<b>Hydraulic Cylinder</b>	<b>Hydraulic Cylinder</b>	<b>Hydraulic Cylinder</b>
	 Series I Cam Closer	 Torsion Bar Closer Cylinder Deck Ramp	 Assist Springs (Two) Closer Cylinder 2" Side Tubes Ramp	 Assist Springs (Two) Closer Cylinder 2-1/2" Side Tubes Ramp

	<b>RGL20</b>	<b>RGL30</b>	<b>RGL40</b>
<b>Diamond Plate</b>	<b>1/8" (prior to 7-2001)</b> <b>3/16" (after 7-2001)</b>	<b>1/8" or 3/16" (prior to 7-2001)</b> <b>3/16" (after 7-2001)</b>	<b>3/16"</b>

**PLATFORM ASSEMBLY for Units w/ 36" & 42" Decks**



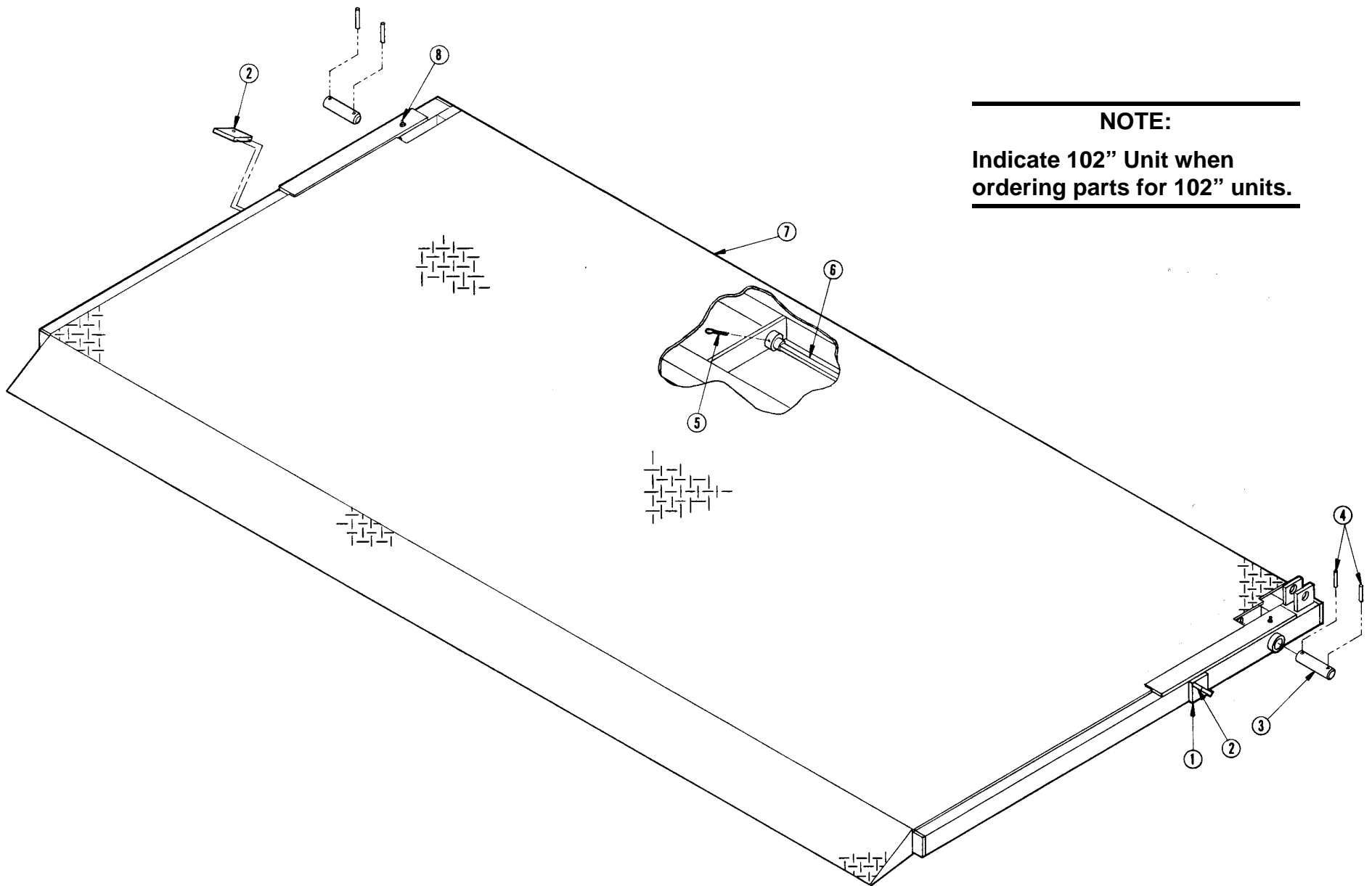
**WALTCO**  
**TRUCK EQUIPMENT CO.**  
**RGL SERIES I**

REVISED: 12/1/03  
 E.O. 5221  
 REV. 02

**PM-202**

ITEM	PART NUMBER	QTY	DESCRIPTION
1	35411201	1	Pivot Tube Assy
2	75089541	2	1/4" x 1-7/8" Coiled Pin
3	35416301	1	Closer Spring
4	35211036	1	Deck Assy, 36" x 90" + 6" (RGL-20,30)
	35211046	1	Deck Assy, 42" x 90" + 6" (RGL-20,30)
	35211031	1	Deck Assy, 36" x 90" + 12" w/ Cart Stop (RGL-20,30)
	35211041	1	Deck Assy, 42" x 90" + 12" w/ Cart Stop (RGL-20,30)
	35411046	1	Deck Assy, 36" x 90" + 12" w/ Cart Stop (RGL-40)
	35411041	1	Deck Assy, 42" x 90" + 12" w/ Cart Stop (RGL-40)
5	35270201	1	Torsion Bar
6	35415501	1	Closer Rod Assy
7	75084055	1	Cotter Pin
8	35417001	1	Cam Follower Assy, Curb Side
9	35417051	1	Cam Follower Assy, Street Side
10	35411101	1	Pivot Tube
11	75088058	1	Washer
12	35411401	1	Pin
13	35417201	2	Roller Pin
14	75089340	2	Roller Bearing
15	35416101	2	1/4" Dia. x 1-1/2" Pin
16	35416201	2	Tube, Pin Retainer

**PLATFORM ASSEMBLY (36" & 42" Deep Platforms)**



**NOTE:**  
Indicate 102" Unit when  
ordering parts for 102" units.

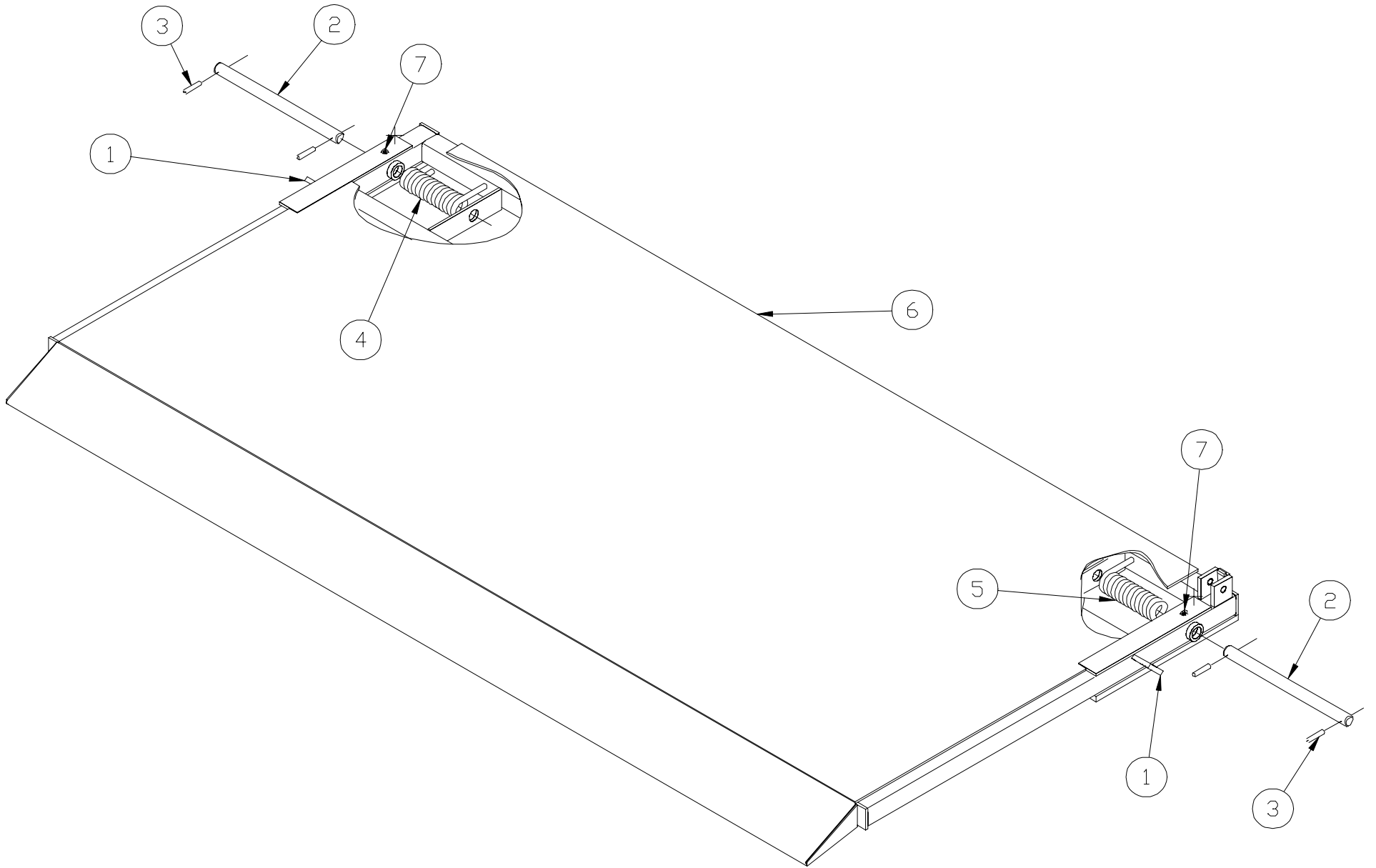
**WALTCO  
TRUCK EQUIPMENT CO.  
RGL SERIES**

REVISED: 12-18-98  
E.O. 3760  
REV. 02

**PM-230A**

ITEM	PART NUMBER	QTY	DESCRIPTION
1	37418601	1	Spacer Block
2	35631601	2	Chain Clip
3	37411101	2	Pin
4	75089554	4	3/8" x 1-3/4" Coiled Pin
5	75084055	1	5/32" x 2-1/2" Cotter Pin
6	35270201	1	Torsion Bar
7	37211036	1	36" x 90" Deck + 6" Ramp (RGL-20, 30)
	37211046	1	42" x 90" Deck + 6" Ramp (RGL20, 30)
	37211031	1	36" x 90" Deck + 12" Ramp (RGL-20, 30) (w/ Cart Stop)
	37211041	1	42" x 90" Deck + 12" Ramp (RGL-40) (w/ Cart Stop)
	37411046	1	42" x 90" Deck + 6" Ramp (RGL-40)
	37411041	1	42" x 90" Deck + 12" Ramp (RGL-40) (w/ Cart Stop)
8	75089303	2	Grease Fitting

**PLATFORM ASSEMBLY (Units w/ 36", 42" & 48" Deep Platforms) (96" and 102" Wide Units)**



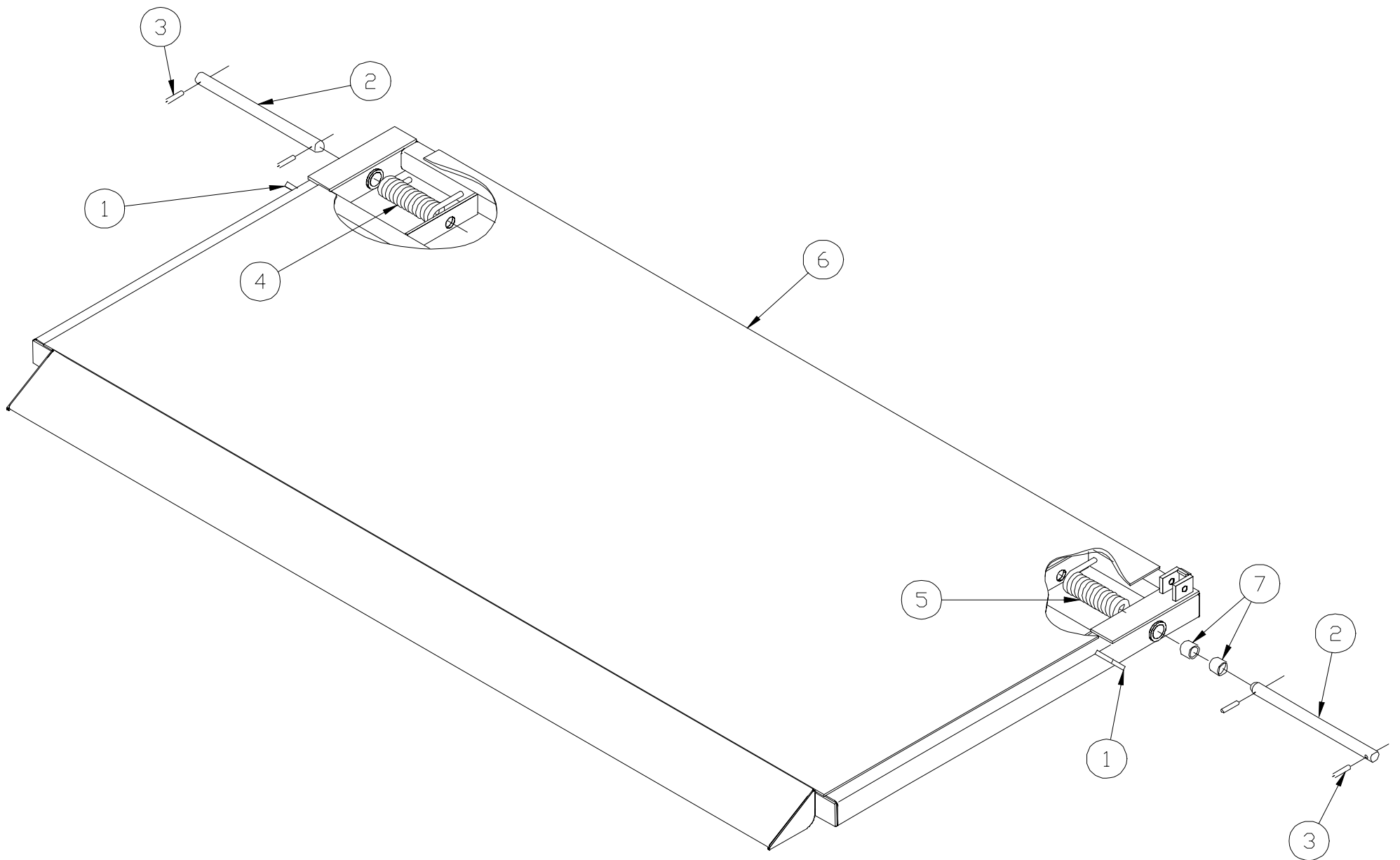
**WALTCO  
TRUCK EQUIPMENT CO.  
RGL SERIES**

REVISED: 12-18-98  
E.O. 3760  
REV. 05

**PM-230**

ITEM	PART NUMBER	QTY	DESCRIPTION
1	35631601	2	Chain Clip
2	37211101	2	Pin
3	75089554	4	3/8" x 1-3/4" Coiled Pin
4	37270251	1	Torsion Spring (Driver Side)
5	37270201	1	Torsion Spring (Curb Side)
6	37211030	1	36" x 90" Butt End Platform (RGL-20, 30)
	37211036	1	36" x 90" + 6" Platform (RGL-20, 30)
	37211031	1	36" x 90" + 12" CS Platform (RGL-20, 30)
	38211030	1	36" x 96" Butt End Platform (RGL-20, 30)
	38211036	1	36" x 96" + 6" Platform (RGL-20, 30)
	38211031	1	36" x 96" + 12" CS Platform (RGL-20, 30)
	37211040	1	42" x 90" Butt End Platform (RGL-20, 30)
	37211046	1	42" x 90" + 6" Platform (RGL-20, 30)
	37211041	1	42" x 90" + 12" CS Platform (RGL-20, 30)
	38211040	1	42" x 96" Butt End Platform (RGL-20, 30)
	38211046	1	42" x 96" + 6" Platform (RGL-20, 30)
	38211041	1	42" x 96" + 12" CS Platform (RGL-20, 30)
	37411040	1	42" x 90" Butt End Platform (RGL-40)
	37411046	1	42" x 90" + 6" Platform (RGL-40)
	37411041	1	42" x 90" + 12" CS Platform (RGL-40)
	38411040	1	42" x 96" Butt End Platform (RGL-40)
	38411046	1	42" x 96" + 6" Platform (RGL-40)
	38411041	1	42" x 96" + 12" CS Platform (RGL-40)
	37411050	1	48" x 90" Butt End Platform (RGL-40)
	37411056	1	48" x 90" + 6" Platform (RGL-40)
37411051	1	48" x 90" + 12" CS Platform (RGL-40)	
38411050	1	48" x 96" Butt End Platform (RGL-40)	
38411056	1	48" x 96" + 6" Platform (RGL-40)	
38411051	1	48" x 96" + 12" CS Platform (RGL-40)	
7	75089303	2	Grease Fitting

**PLATFORM ASSEMBLY (Units w/ 36", 42", 48" Deep Platforms)**



**WALTCO  
TRUCK EQUIPMENT CO.  
RGL SERIES**

REVISED: 7-6-2001  
E.O. 4268  
REV. 01

**PM-443A**

ITEM	PART NUMBER	QTY	DESCRIPTION
1	35631601	2	Chain Clip
2	37211102	2	Pin
3	75089554	4	3/8" x 1-3/4" Coiled Pin
4	37270251	1	Torsion Spring (Driver Side)
5	37270201	1	Torsion Spring (Curb Side)
6	37410030	1	36" x 90" Butt End Platform
	37410036	1	36" x 90" + 6" Platform
	37410031	1	36" x 90" + 12" CS Platform
	38410030	1	36" x 96" Butt End Platform
	38410036	1	36" x 96" + 6" Platform
	38410031	1	36" x 96" + 12" CS Platform
	37410040	1	42" x 90" Butt End Platform
	37410046	1	42" x 90" + 6" Platform
	37410041	1	42" x 90" + 12" CS Platform
	38410040	1	42" x 96" Butt End Platform
	38410046	1	42" x 96" + 6" Platform
	38410041	1	42" x 96" + 12" CS Platform
	37410050	1	48" x 90" Butt End Platform
	37410056	1	48" x 90" + 6" Platform
	37410051	1	48" x 90" + 12" CS Platform
	38410050	1	48" x 96" Butt End Platform
	38410056	1	48" x 96" + 6" Platform
	38410051	1	48" x 96" + 12" CS Platform
7	85803391	4	Fiber Bearing