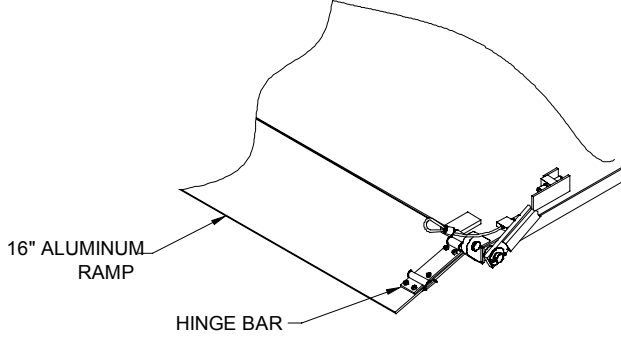
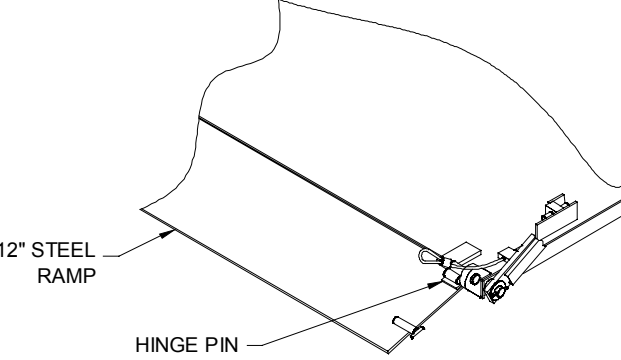
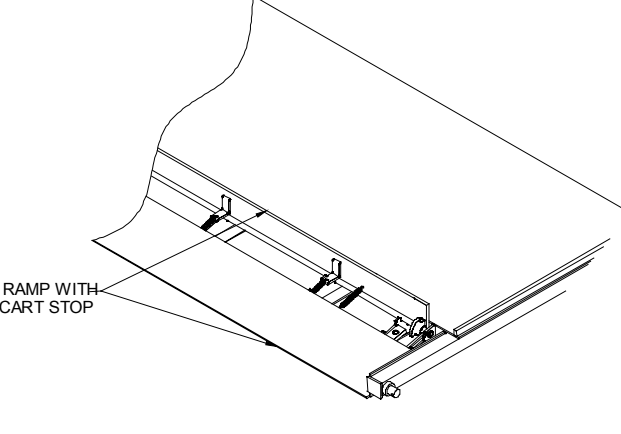
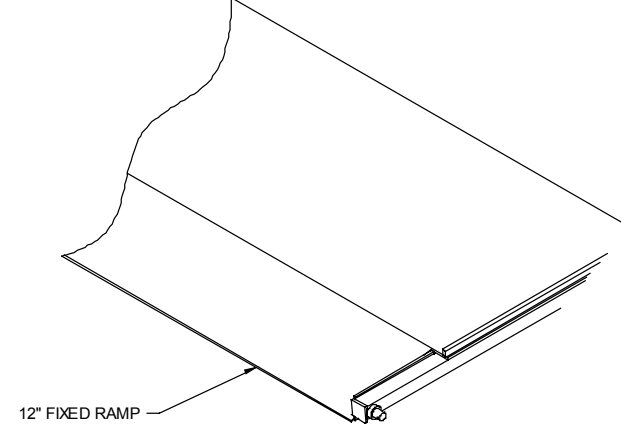
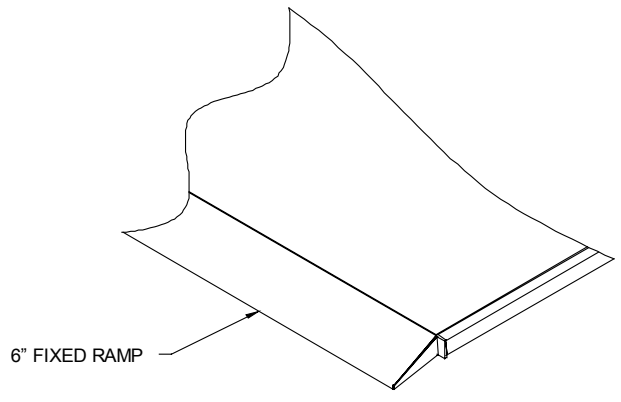
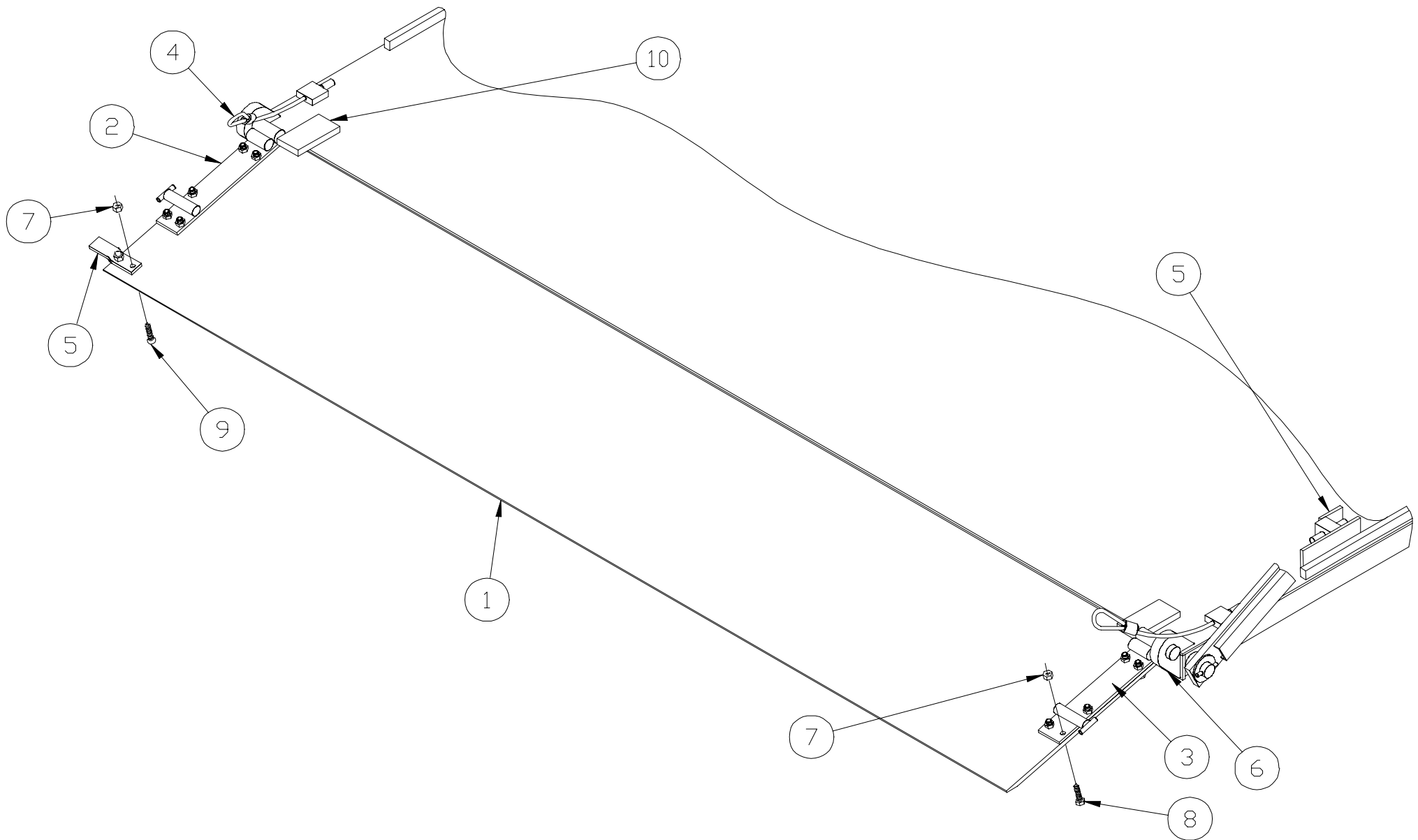


# RGL-SERIES RAMPS

 <p>16" ALUMINUM RAMP</p> <p>HINGE BAR</p>	 <p>12" STEEL RAMP</p> <p>HINGE PIN</p>
<p><b>PM-243A (prior to 11-01)</b> <b>PM-243B (after 11-01)</b></p>	<p><b>PM-243A (prior to 11-01)</b> <b>PM-243B (after 11-01)</b></p>
 <p>12" RAMP WITH CART STOP</p>	 <p>12" FIXED RAMP</p>
<p><b>PM-228 (90") thru 12/97</b> <b>PM-389 (96") thru 12/97</b> <b>PM-439 (90") 12/97 thru 7/01</b> <b>PM-440 (96") 12/97 thru 7/01</b> <b>PM-439A (all widths) after 7/01</b></p>	<p><b>PM-228 (90") thru 12/97</b> <b>PM-389 (96") thru 12/97</b> <b>PM-439 (90") 12/97 thru 7/01</b> <b>PM-440 (96") 12/97 thru 7/01</b> <b>PM-439A (all widths) after 7/01</b></p>
	 <p>6" FIXED RAMP</p>
	<p><b>PM-230A thru 1/90</b> <b>PM-230 1/90 thru 12/97</b> <b>PM-443A after 12/97</b></p>

# 16" ALUMINUM & 12" STEEL FOLDING RAMPS



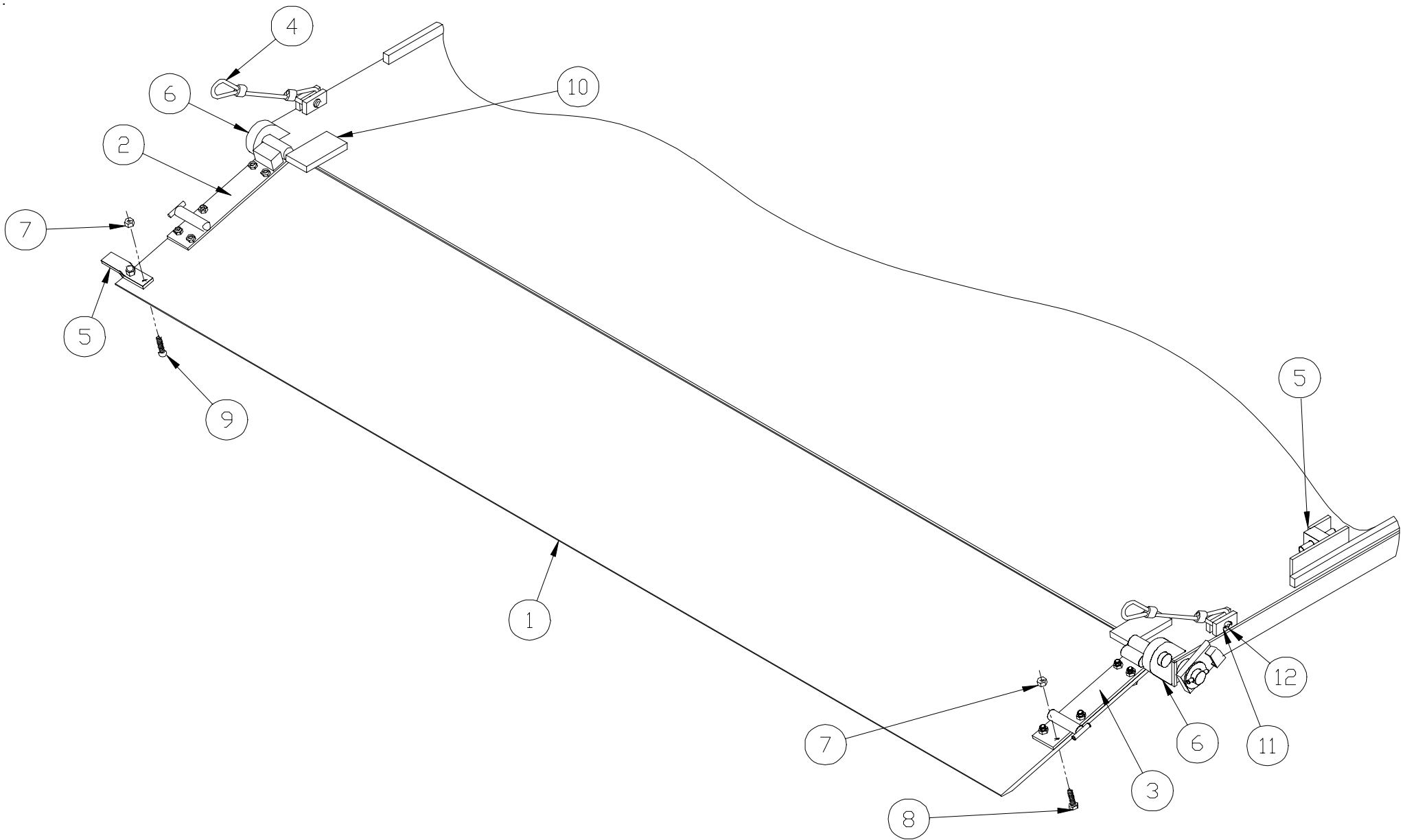
WALTCO  
TRUCK EQUIPMENT CO.  
RGL SERIES

REVISED: 7-6-2001  
E.O. 4268  
REV. 01

**PM-243A**

ITEM	PART NUMBER	QTY	DESCRIPTION
1	37214101	1	16" Aluminum Ramp (1 Piece 90" Wide Deck)
	37414101	1	16" Aluminum Ramp (2 Piece Folding 90" & 96" Wide Decks)
	38214101	1	16" Aluminum Ramp (1 Piece 96" Wide Deck)
	37216500	1	12" Steel Folding Ramp (1 Piece 90" Wide Deck)
	37416500	1	12" Steel Folding Ramp (2 Piece Folding 90" & 96" Wide Decks)
	38216500	1	12" Steel Folding Ramp (1 Piece 96" Wide Deck)
2	37415551	1	Hinge Plate Assembly (Driver Side) (Aluminum Ramp Only)
3	37415501	1	Hinge Plate Assembly (Curb Side) (Aluminum Ramp Only)
4	37419501	2	Retention Cable Assembly
5	37215202 *	1	Ramp Latch (1 Piece Deck Only)
	37414501	1	Ramp Latch Assembly (2 Piece Decks Only)
6	37414801	2	Ramp Hinge Clevis
7	75085193	12	3/8"-16 Locknut (Aluminum Ramp Only)
8	75086057	10	3/8"-16 x 1-1/4" Hex Head Bolt (Aluminum Ramp Only)
9	75086001 *	2	3/8"-16 x 1" Flat Head Screw (Aluminum Ramp Only)
10	37415401	2	Ramp Brace

# 16" ALUMINUM & 12" STEEL FOLDING RAMPS



WALTCO  
TRUCK EQUIPMENT CO.  
RGL SERIES

REVISED: 11-2-2001  
E.O. 4088  
REV. 01

**PM-243B**

ITEM	PART NUMBER	QTY	DESCRIPTION
1	37214101	1	16" Aluminum Ramp (1 Piece 90" Wide Deck)
	37414101	1	16" Aluminum Ramp (2 Piece Folding 90" & 96" Wide Decks)
	38214101	1	16" Aluminum Ramp (1 Piece 96" Wide Deck)
	37216500	1	12" Steel Folding Ramp (1 Piece 90" Wide Deck)
	37416500	1	12" Steel Folding Ramp (2 Piece Folding 90" & 96" Wide Decks)
	38216500	1	12" Steel Folding Ramp (1 Piece 96" Wide Deck)
2	37415551	1	Hinge Plate Assembly (Driver Side) (Aluminum Ramp Only)
3	37415501	1	Hinge Plate Assembly (Curb Side) (Aluminum Ramp Only)
4	37419502	2	Retention Cable Assembly
5	37215202 *	1	Ramp Latch (1 Piece Deck Only)
	37414501	1	Ramp Latch Assembly (2 Piece Decks Only)
6	37414801	2	Ramp Hinge Clevis
7	75085193	12	3/8"-16 Locknut (Aluminum Ramp Only)
8	75086057	10	3/8"-16 x 1-1/4" Hex Head Bolt (Aluminum Ramp Only)
9	75086001 *	2	3/8"-16 x 1" Flat Head Screw (Aluminum Ramp Only)
10	37415401	2	Ramp Brace
11	75084053	2	3/32" x 1" lg. Cotter Pin
12	27310303	2	1/2" Dia. Clevis Pin