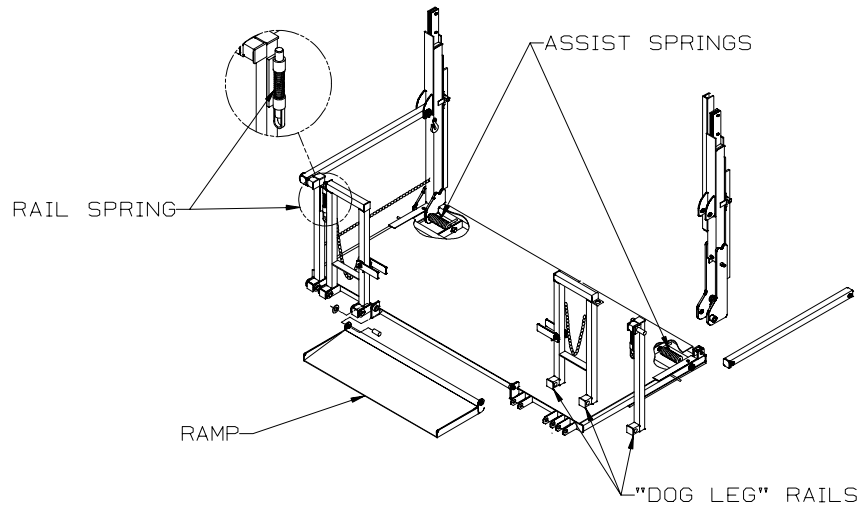


RBGL PLATFORM / RUNNERS (BOTTLED GAS)



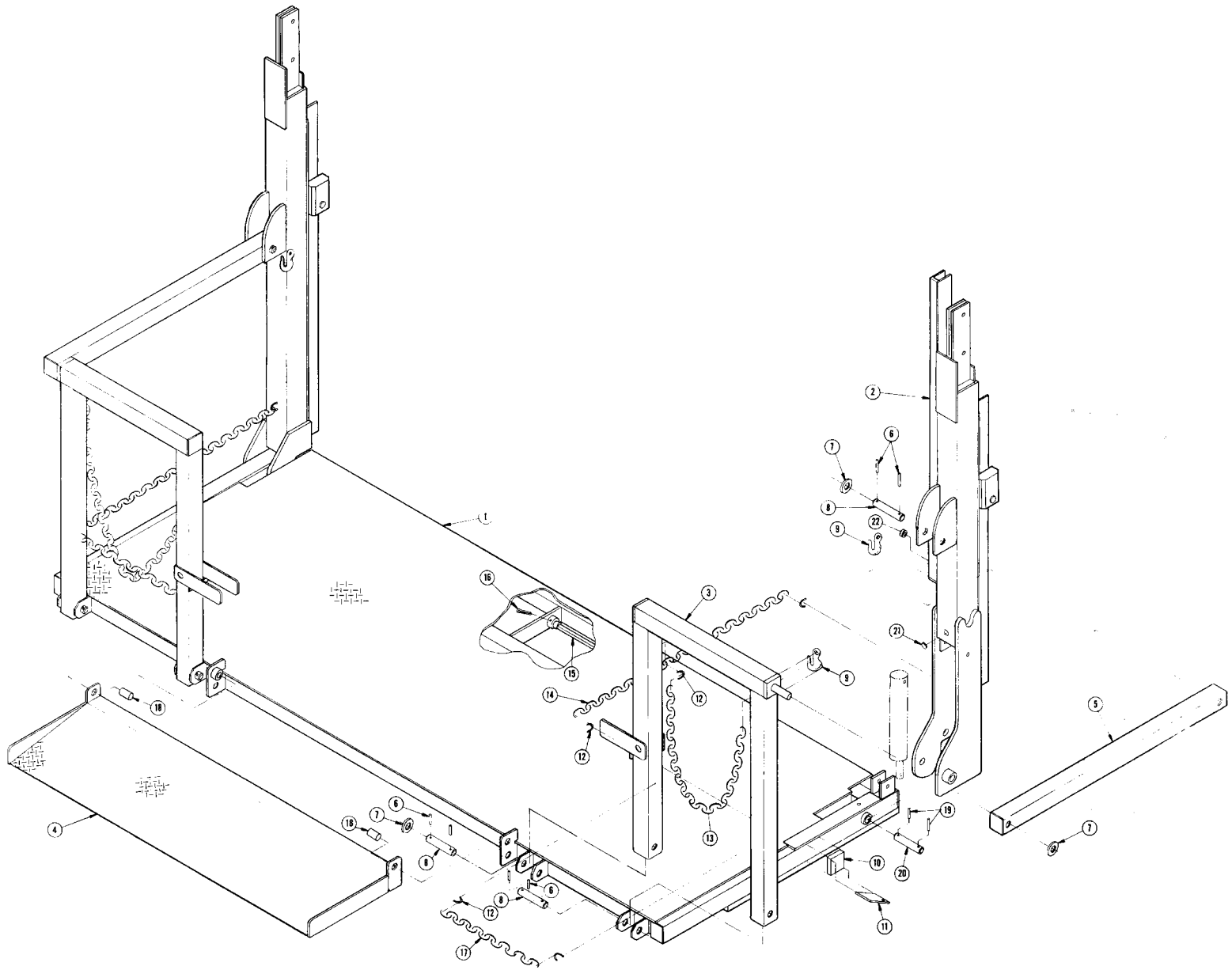
Common Features

- Retention cage
- Ramp (16 x 45)
- Chain support
- ◆ Rail spring & "dog leg" rails on fold down retention
- ◆ Only built for Series II Cylinder Closer

	RBGL Standard PM-231A Built thru 1/90 PM-231 Built from 1/90 thru 12/97 PM-444 Built from 12/97	RBGL Fold Down PM-370 Built from 11/95 thru 12/97 PM-445 Built from 12/97
Torsion Bar (1" x 50")	Till 1/90	N/A
Spring Assist	After 1/90	Yes

[Click here for a list of liftgate serial numbers, organized by approximate ship dates.](#)

PLATFORM ASSEMBLY



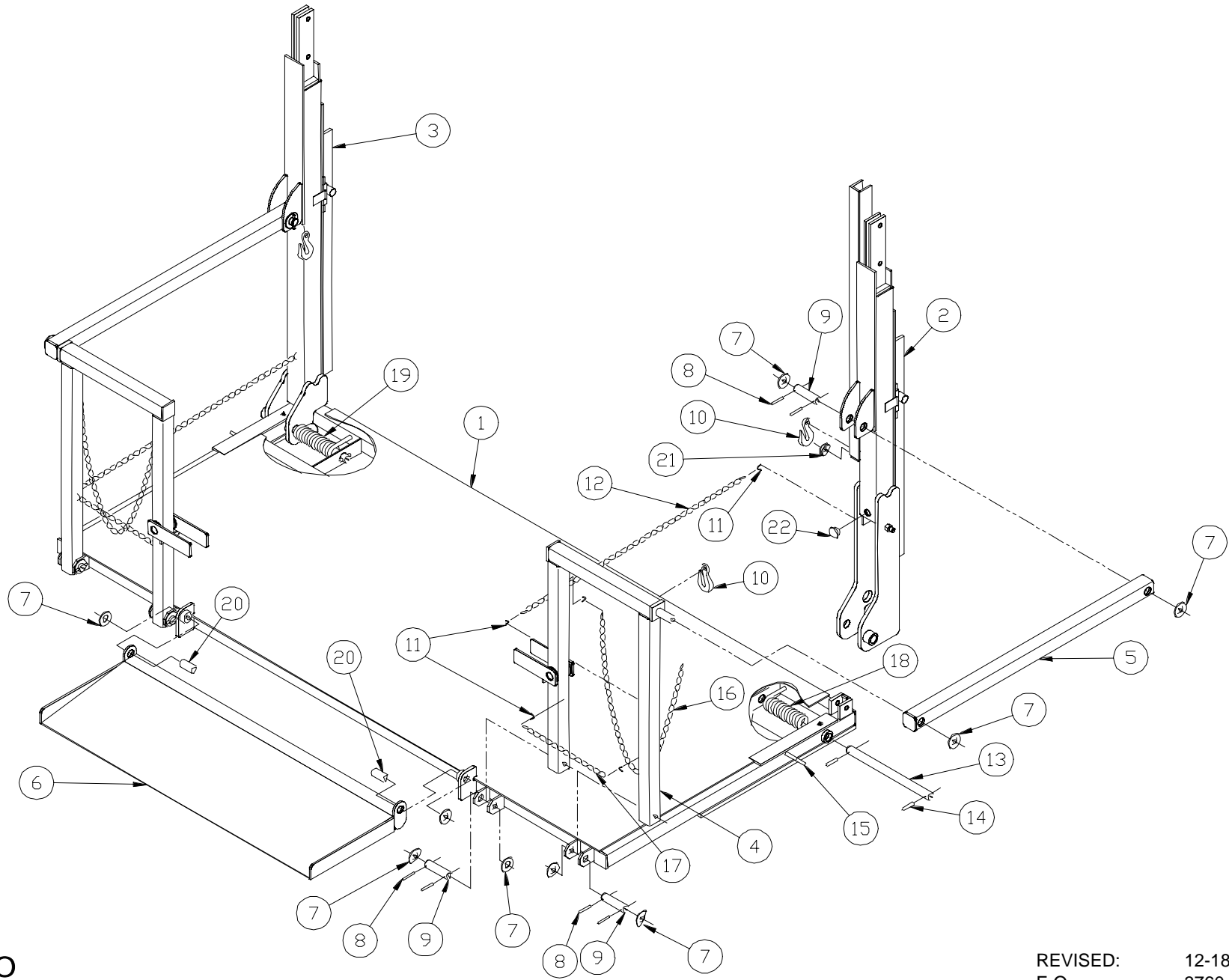
**WALTCO
TRUCK EQUIPMENT CO.
RBGL SERIES**

REVISED: 12-18-98
E.O. 3760
REV. 02

PM-231A

ITEM	PART NUMBER	QTY	DESCRIPTION
1	36411036	1	Platform Assembly (36" x 90")
	36411042	1	Platform Assembly (42" x 90")
2	36430001	1	Runner Assembly Complete (Curb Side)
	36430051	1	Runner Assembly Complete (Driver Side)
3	36455001	2	Guard Rail Sub-Assembly
4	36414001	1	Ramp Assembly
5	36457036	2	Side Rail Assembly (36" Platform)
	36457042	2	Side Rail Assembly (42" Platform)
6	75089541	12	1/4" x 1-7/8" Coiled Pin
7	75088061	8	1" Washer
8	10370800	6	Pin
9	75089361	4	Chain Hook
10	37418601	1	Spacer Block
11	35631601	2	Chain Clip
12	10193100	10	Half Link, Plated Chain
13	36458336	2	Plated Chain (36" Platform)
	36458342	2	Plated Chain (42" Platform)
14	36458236	2	Plated Chain (36" Platform)
	36458242	2	Plated Chain (42" Platform)
15	35270201	1	Torsion Bar
16	75084055	1	5/32" x 2-1/2" Cotter Pin
17	36458101	2	Plated Chain
18	20255201	2	Pin
19	75089554	4	3/8" x 2-1/4" Coiled Pin
20	37411101	2	Pin
21	75089569	2	Plastic Plug
22	75089324	2	Grommet

PLATFORM ASSEMBLY



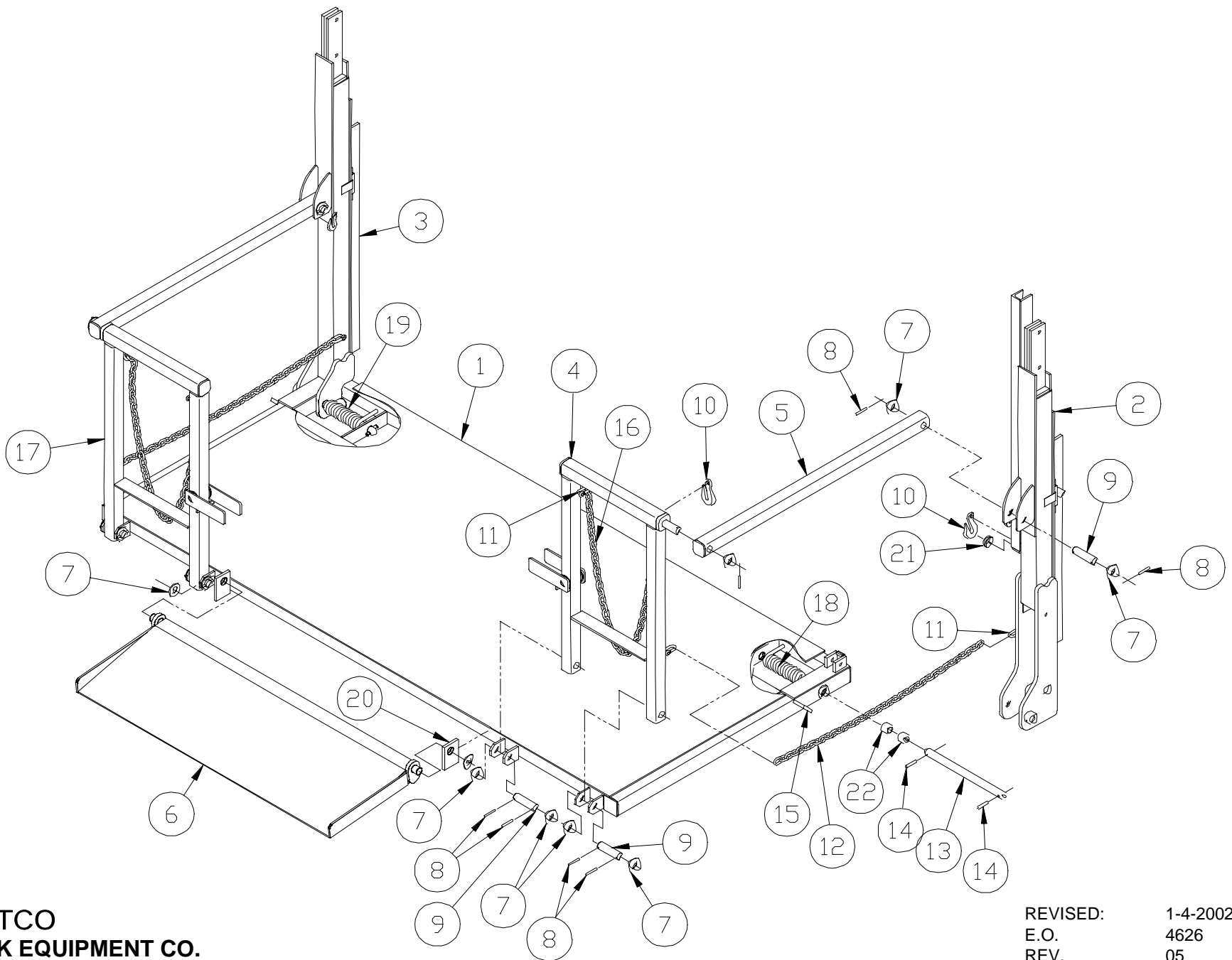
**WALTCO
TRUCK EQUIPMENT CO.
RBGL SERIES**

REVISED: 12-18-98
E.O. 3760
REV. 06

PM-231

ITEM	PART NUMBER	QTY	DESCRIPTION
1	36411036	1	Platform Assembly (36" x 90")
	36411042	1	Platform Assembly (42" x 90")
2	36435003	1	Runner Assembly Complete (Curb Side)
3	36435053	1	Runner Assembly Complete (Street Side)
4	36455001	2	Guard Rail Sub-Assembly
5	36457036	2	Side Rail Assembly (36" Platform)
	36457042	2	Side Rail Assembly (42" Platform)
6	36414001	1	Ramp Assembly
7	75088061	16	1" Washer
8	75089541	12	1/4" x 1-7/8" Coiled Pin
9	10370800	6	Pin
10	75089361	4	Chain Hook
11	10193100	10	Half Link, Plated Chain
12	36458336	2	Plated Chain (36" Platform)
	36458342	2	Plated Chain (42" Platform)
13	37211101	2	Pin
14	75089554	4	3/8" x 1-3/4" Coiled Pin
15	35631601	2	Chain Clip
16	36458236	2	Plated Chain (36" Platform)
	36458242	2	Plated Chain (42" Platform)
17	36458101	2	Plated Chain
18	37270201	1	Torsion Spring (Curb Side)
19	37270251	1	Torsion Spring (Street Side)
20	35411401	2	Pin
21	75089324	2	Grommet
22	75089569	2	Plastic Plug

PLATFORM ASSEMBLY



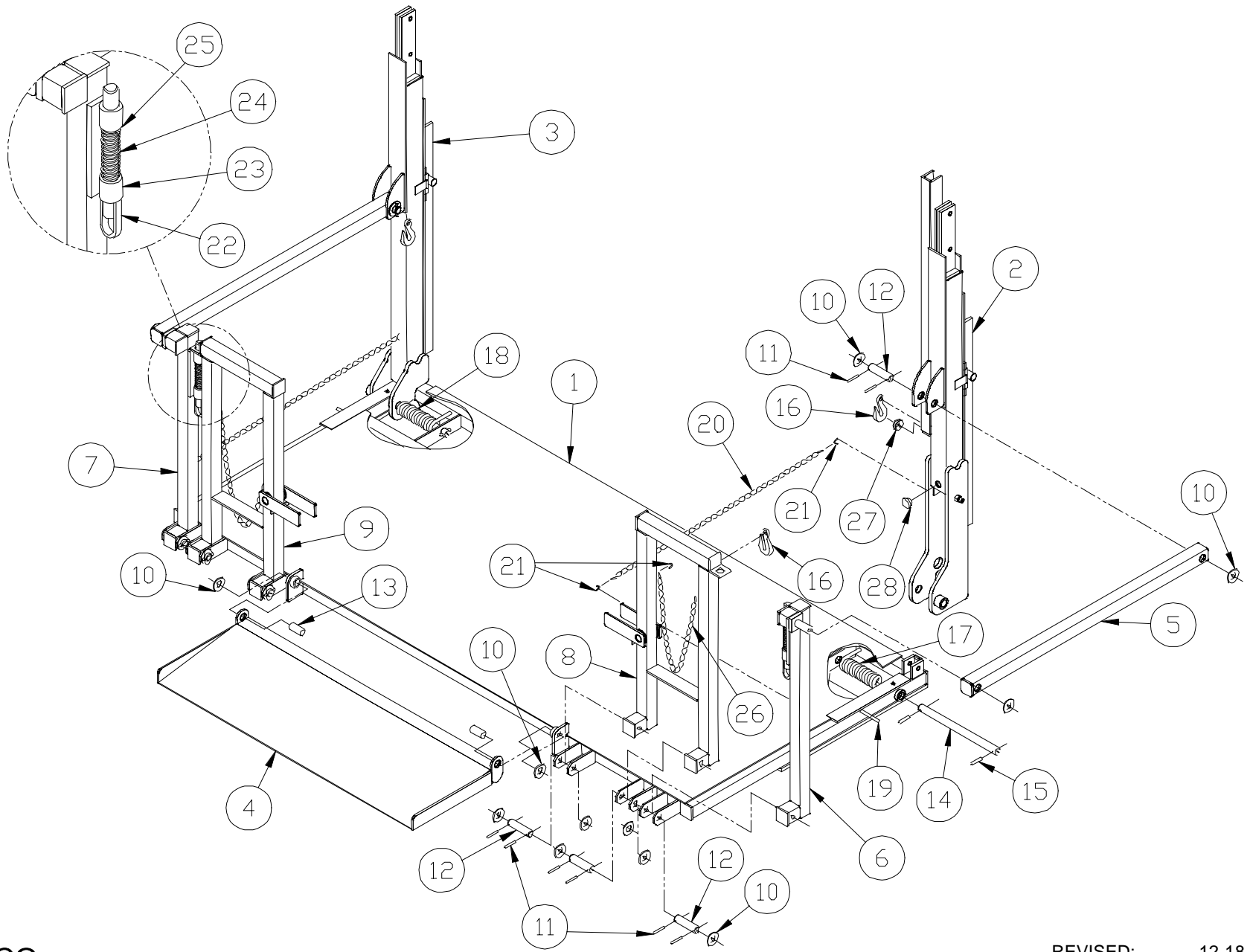
WALTCO
TRUCK EQUIPMENT CO.
RBGL SERIES

REVISED: 1-4-2002
E.O. 4626
REV. 05

PM-444

ITEM	PART NUMBER	QTY	DESCRIPTION
1	36412001	1	Platform Assembly (36" x 90")
	36412003	1	Platform Assembly (42" x 90")
2	36435004	1	Runner Assembly Complete (Curb Side)
3	36435054	1	Runner Assembly Complete (Street Side)
4	36455001	2	Guard Rail Sub-Assembly (Curb Side)
5	36457001	2	Side Rail Assembly (36" Platform)
	36457002	2	Side Rail Assembly (42" Platform)
6	31214001	1	Ramp Assembly
7	75088061	16	1" Washer
8	75089541	12	1/4" x 1-7/8" Coiled Pin
9	10370800	6	Pin
10	75089361	4	Chain Hook
11	75089349	6	5/16" Cold Shut
12	36458336	2	Plated Chain (36" Platform)
	36458342	2	Plated Chain (42" Platform)
13	37211102	2	Pin
14	75089554	4	3/8" x 1-3/4" Coiled Pin
15	35631601	2	Chain Clip
16	36458236	2	Plated Chain (36" Platform)
	36458242	2	Plated Chain (42" Platform)
17	36455051	1	Guard Rail Sub-Assembly (Street Side)
18	37270201	1	Torsion Spring (Curb Side)
19	37270251	1	Torsion Spring (Street Side)
20	31214701	2	Bar Ramp Pivot
21	75089324	2	Grommet
22	85803391	4	Fiber Bearing

FOLD DOWN RAIL PLATFORM ASSEMBLY



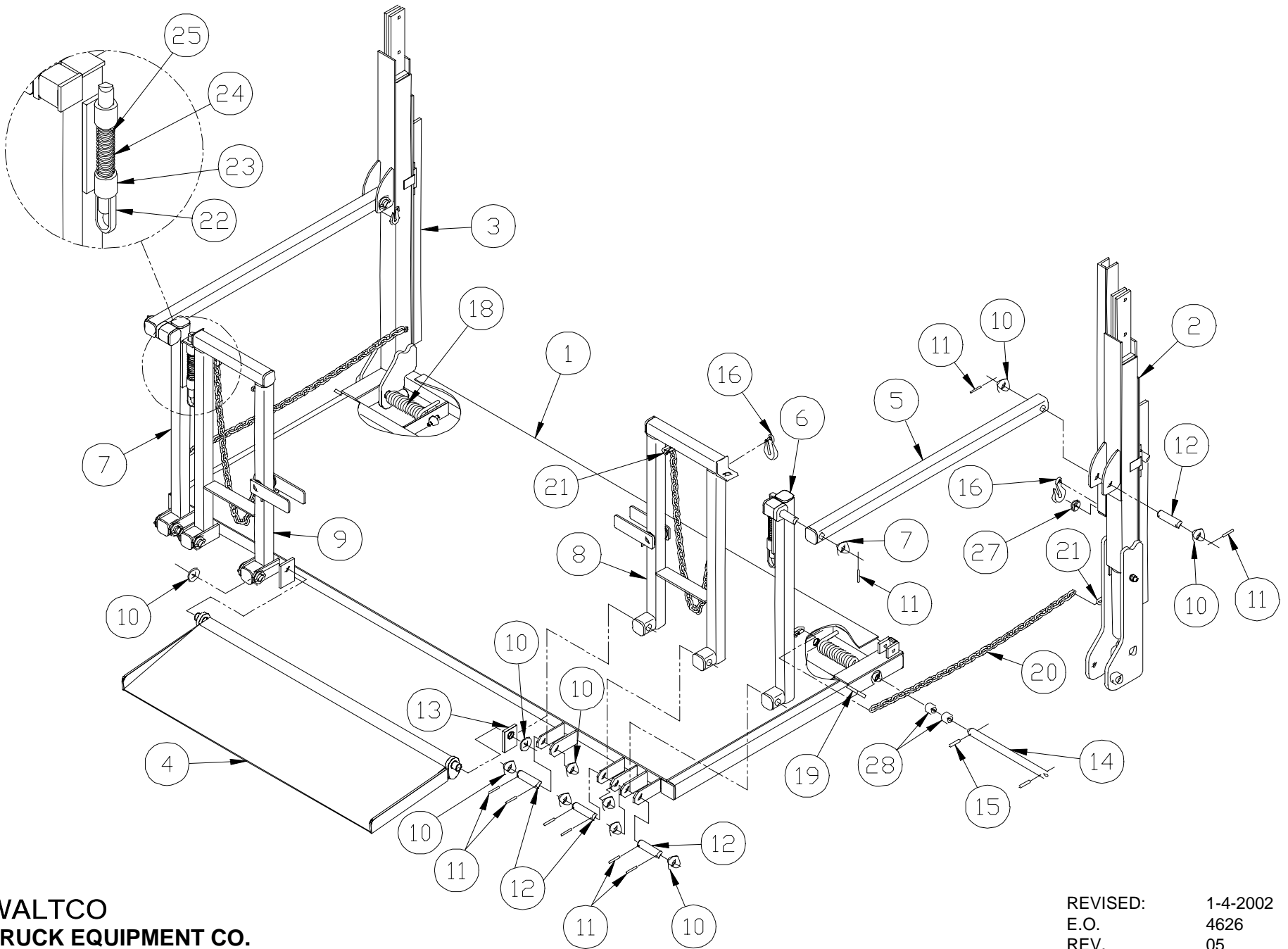
WALTCO
TRUCK EQUIPMENT CO.
RBGL SERIES

REVISED: 12-18-98
E.O. 3760
REV. 03

PM-370

ITEM	PART NUMBER	QTY	DESCRIPTION
1	36411006	1	Platform Assembly (36" x 90")
	36411002	1	Platform Assembly (42" x 90")
2	36435003	1	Runner Assembly Complete (Curb Side)
3	36435053	1	Runner Assembly Complete (Street Side)
4	36414001	1	Ramp Assembly
5	36457536	2	Side Rail Assembly (36" Decks)
	36457542	2	Side Rail Assembly (42" Decks)
6	36459001	1	Fixed Guard Rail Assembly (Curb Side)
7	36459051	1	Fixed Guard Rail Assembly (Street Side)
8	36455002	1	Guard Rail Assembly (Curb Side)
9	36455052	1	Guard Rail Assembly (Street Side)
10	75088061	20	1" S.A.E. Washer
11	75089541	16	1/4" x 1-7/8" Coiled Pin
12	10370800	8	Pin
13	35411401	2	Pin
14	37211101	2	Pin
15	75089554	4	3/8" x 1-3/4" Coiled Pin
16	75089361	4	Chain Hook
17	37270201	1	Torsion Spring (Curb Side)
18	37270251	1	Torsion Spring (Street Side)
19	35631601	2	Chain Clip
20	36458236	2	Plated Chain (36" Decks)
	36458242	2	Plated Chain (42" Decks)
21	10193100	6	Half Link Plated Chain
22	36458501	2	Lock Pin Assembly
23	36459501	2	Lock Pin Sub Assembly
24	75089756	2	Spring
25	75089557	2	1/4" x 1-1/2" Coiled Pin
26	36458336	2	Plated Chain (36" Decks)
	36458342	2	Plated Chain (42" Decks)
27	75089335	2	Flexible Grommeting
28	75089569	1	Plastic Plug

FOLD DOWN RAIL PLATFORM ASSEMBLY



WALTCO
TRUCK EQUIPMENT CO.
RBGL SERIES

REVISED: 1-4-2002
E.O. 4626
REV. 05

PM-445

ITEM	PART NUMBER	QTY	DESCRIPTION
1	36412002	1	Platform Assembly (36" x 90")
	36412004	1	Platform Assembly (42" x 90")
2	36435004	1	Runner Assembly Complete (Curb Side)
3	36435054	1	Runner Assembly Complete (Street Side)
4	31214001	1	Ramp Assembly
5	36457501	2	Side Rail Assembly (36" Decks)
	36457502	2	Side Rail Assembly (42" Decks)
6	36459001	1	Fixed Guard Rail Assembly (Curb Side)
7	36459051	1	Fixed Guard Rail Assembly (Street Side)
8	36455002	1	Guard Rail Assembly (Curb Side)
9	36455052	1	Guard Rail Assembly (Street Side)
10	75088061	20	1" S.A.E. Washer
11	75089541	16	1/4" x 1-7/8" Coiled Pin
12	10370800	8	Pin
13	31214701	2	Bar Ramp Pivot
14	37211102	2	Pin
15	75089554	4	3/8" x 1-3/4" Coiled Pin
16	75089361	4	Chain Hook
17	37270201	1	Torsion Spring (Curb Side)
18	37270251	1	Torsion Spring (Street Side)
19	35631601	2	Chain Clip
	36458236	2	Plated Chain (36" Decks)
	36458242	2	Plated Chain (42" Decks)
21	75089349	6	5/16" Cold Shut
22	36458501	2	Lock Pin Assembly
23	36459501	2	Lock Pin Sub Assembly
24	75089756	2	Spring
25	75089557	2	1/4" x 1-1/2" Coiled Pin
26	36458336	2	Plated Chain (36" Decks)
	36458342	2	Plated Chain (42" Decks)
27	75089335	2	Flexible Grommeting
28	85803391	4	Fiber Bearing